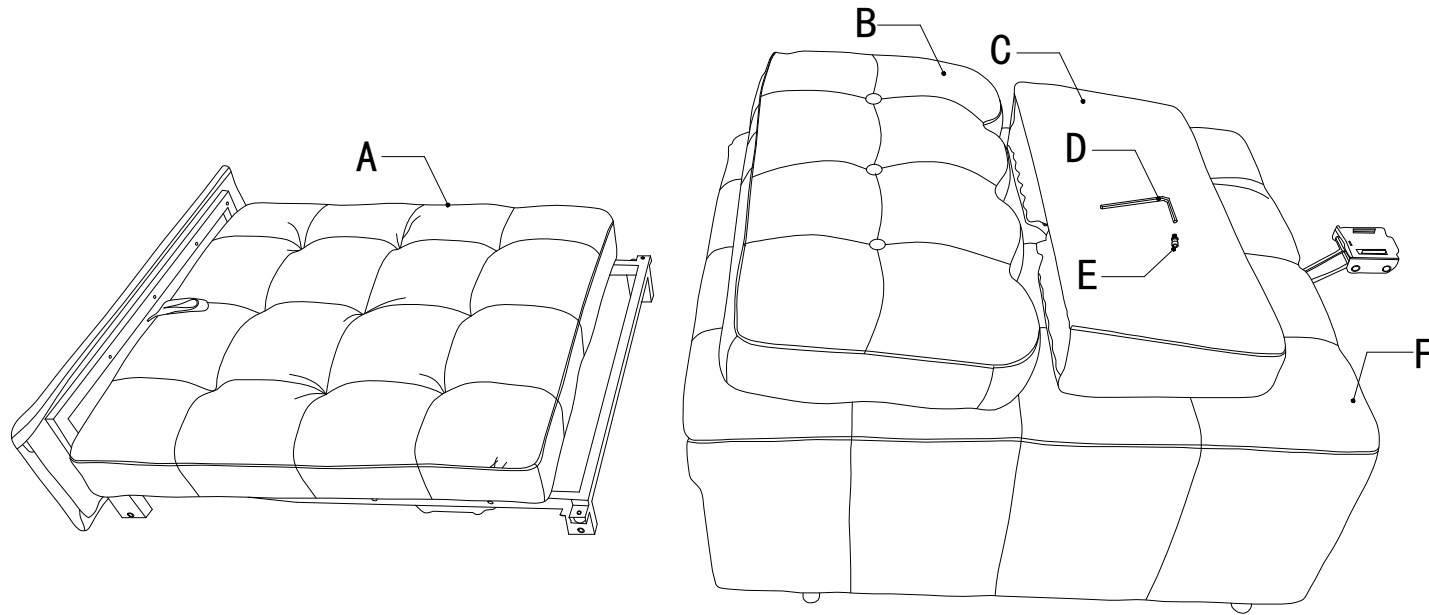
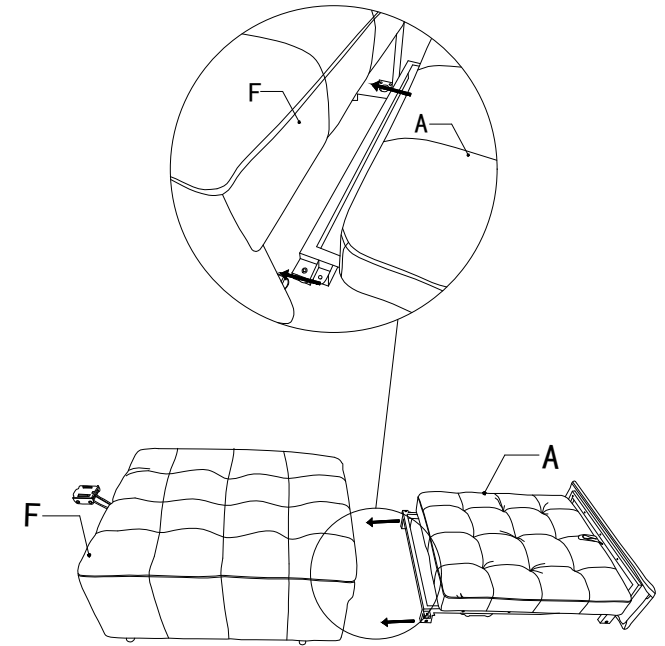


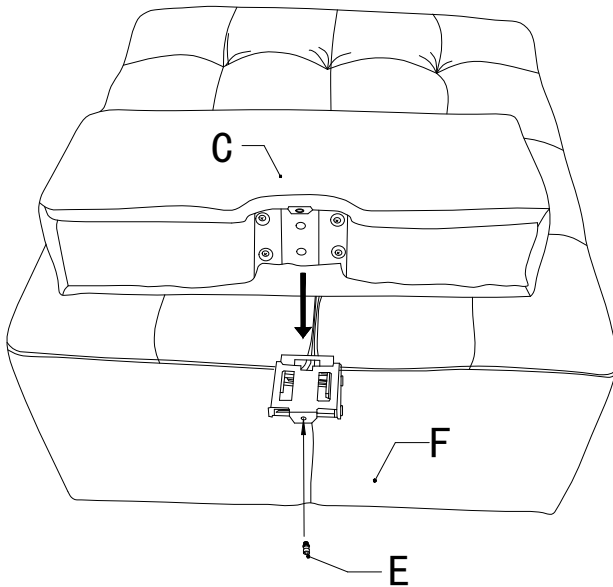
1 Start by finding all the parts.



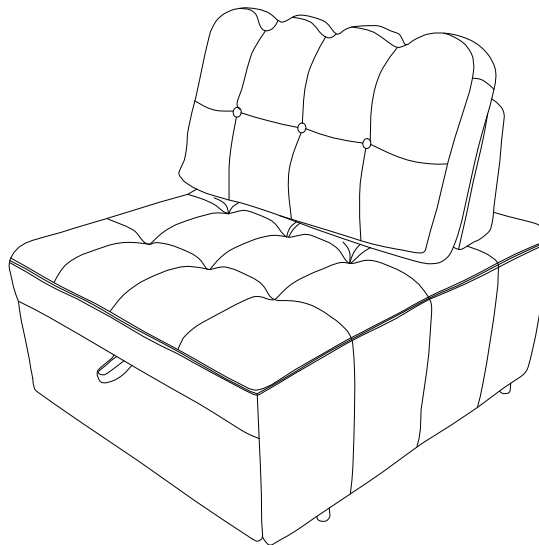
3 Place the bed box of A on the slide of F.



4 Install C on F through E.



5 Put backrest B up to complete the sofa shape.



6 Pull out the bed box, raise the mattress, complete the sofa bed form.

