




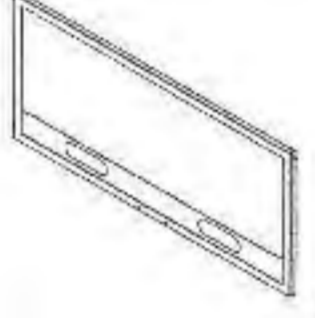

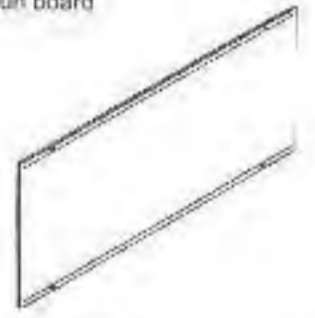






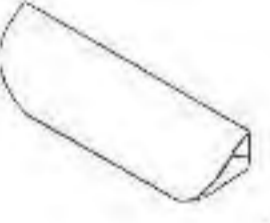

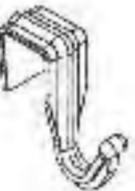



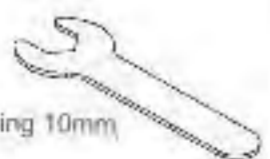


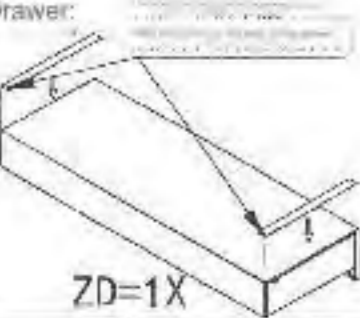


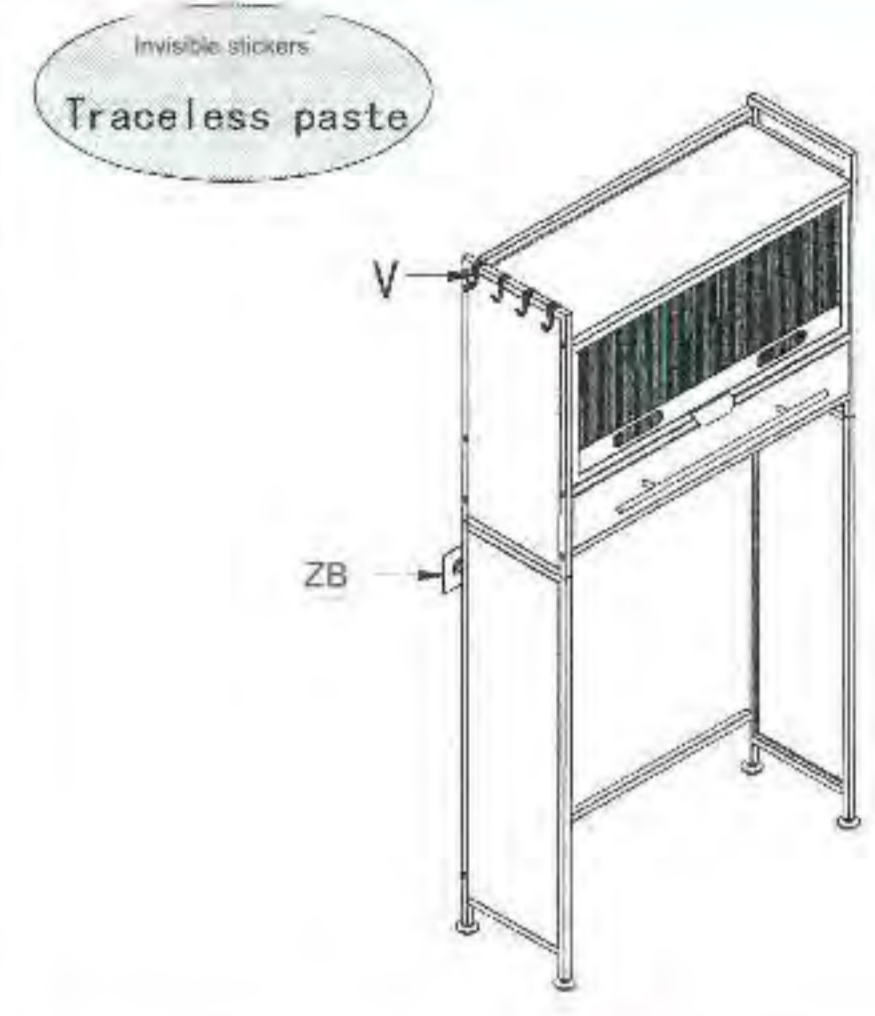
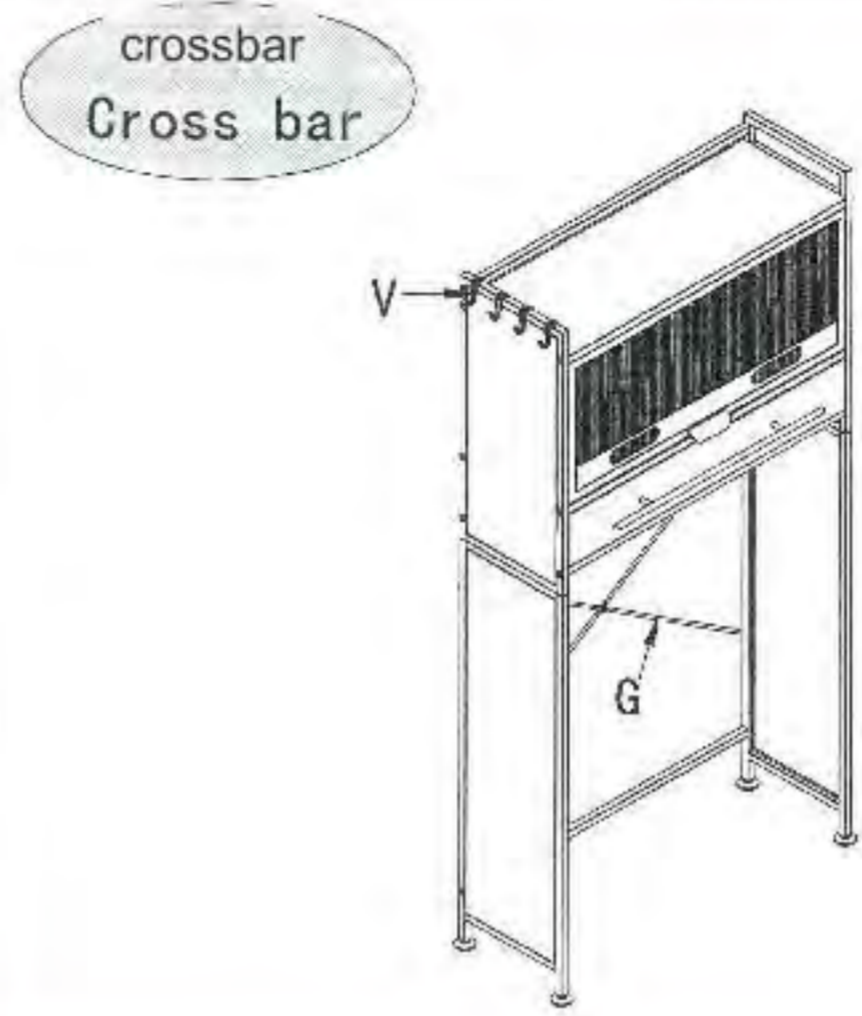


ASSEMBLY INSTRUCTIONS

Parts list

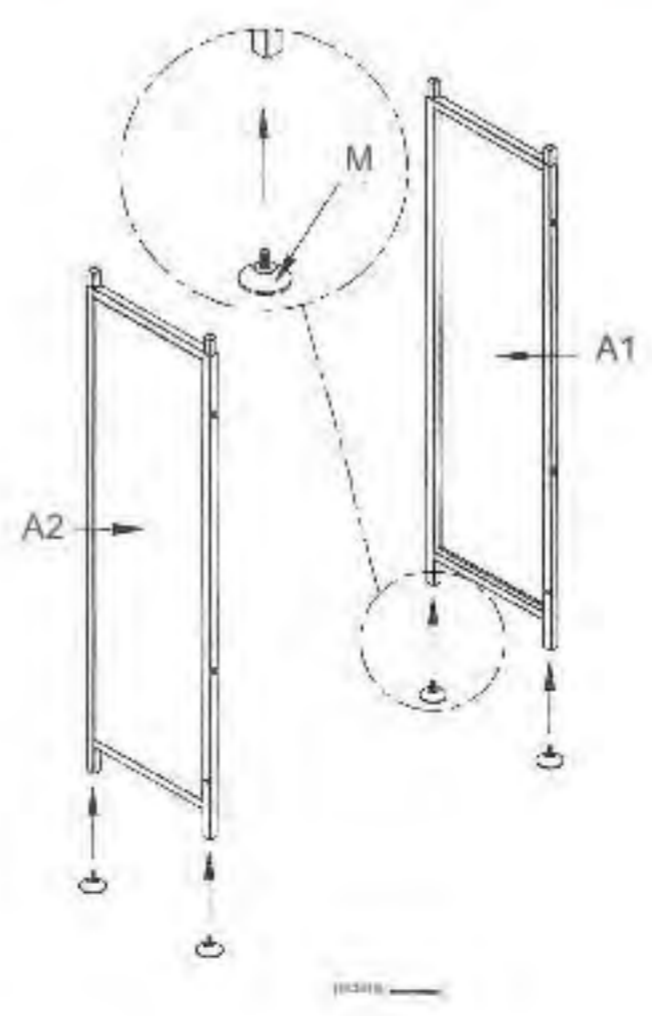
Upper right side frame  A1=1X	Lower left side frame  A2=1X	Upper right side frame  B1=1X	Upper left side frame  B2=1X
laminates  C=2X	door panel  D=1X	acrylic board  E=1X	
Large sun board  F=1X	crossbar  G=2X	Connecting pipe  H=4X	
Pan head hexagon socket screws M6*25  J=16X	Cross hexagon socket wrench, hexagon socket flat head, bevel screw adjustment foot 4mm*23*67  K=1X	M6*12  L=7X	 M=4X
door handle  N=1X	Cross recessed round head screws M4*15  U=2X	Storage cabinet hook  V=4X	buckle  W=10X
Cap nut M6*12  Y=1X	Small hexagonal nut  Z=2X	single head open end wrench Opening 10mm  ZA=1X	Invisible stickers  ZB=2X
small sun board  ZC=1X	Drawer  ZD=1X	drawer handle  ZE=1X	Cross round head screws M4*5  ZF=2X

Product demonstration



Installation steps

1. First screw the adjusting feet into the left and right lower side frames respectively as shown in Figure 1.



2. Use M6*25 pan-head hexagon socket screws to install and fix the connecting pipe into the left and right lower side frames, then use M6*12 hexagon socket flat-head bevel screws and M6*12 cap nuts to press the two cross rods as follows installation shown in Figure 2.

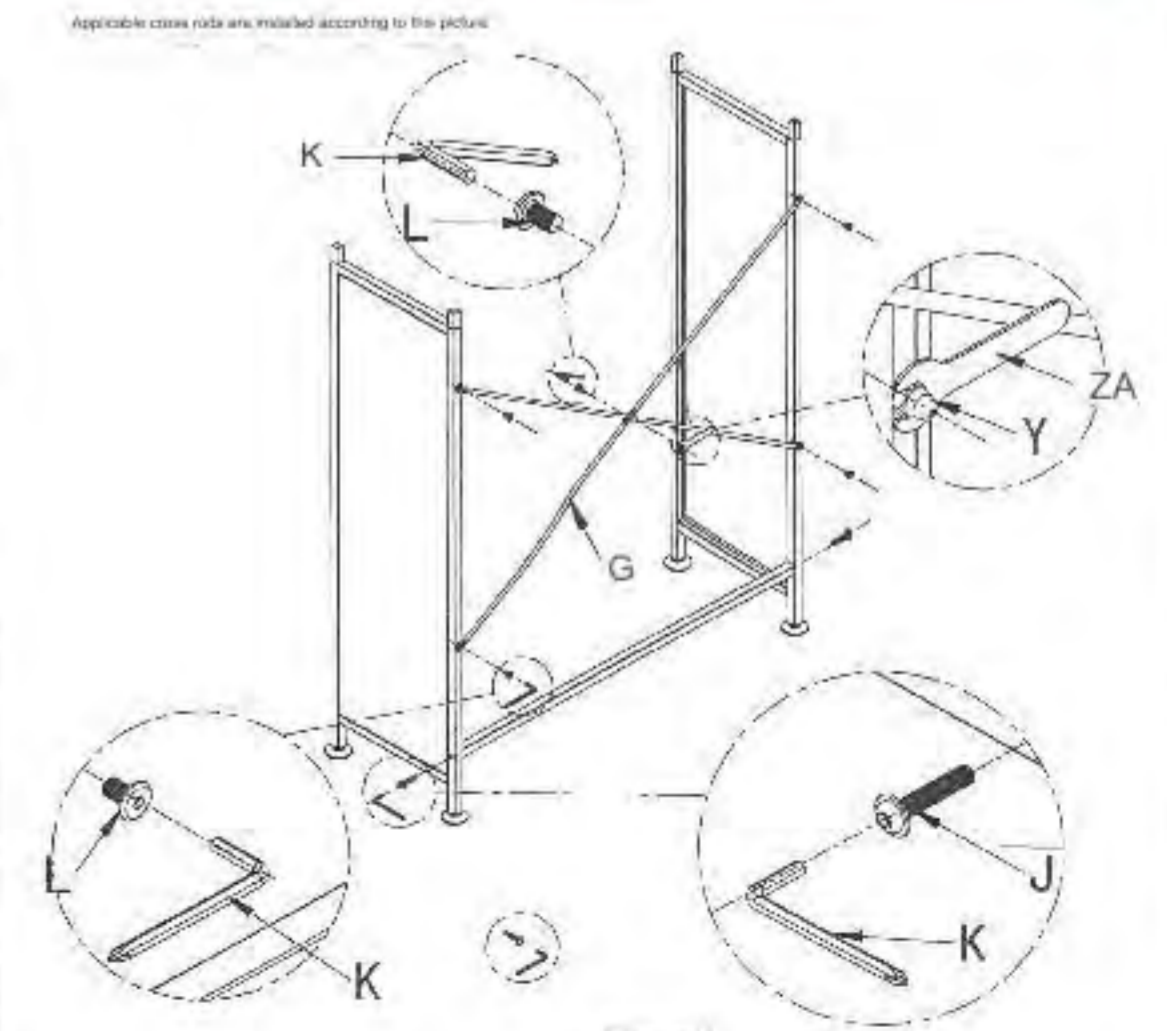


Figure II

Installation steps

2. Use M6*25 pan head hexagon socket screws to install and fix the connecting pipe to the left and right lower side frames, and then install the traceless sticker as shown in Figure 2

Apply the traceless stickers on OUTSIDE according to the picture

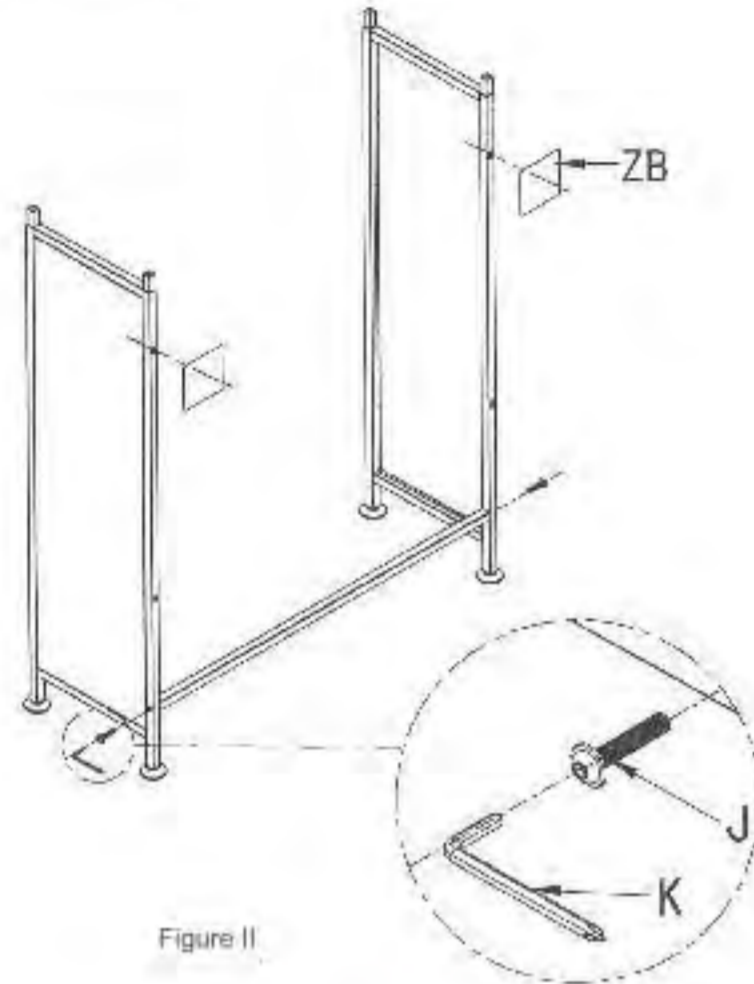


Figure 2

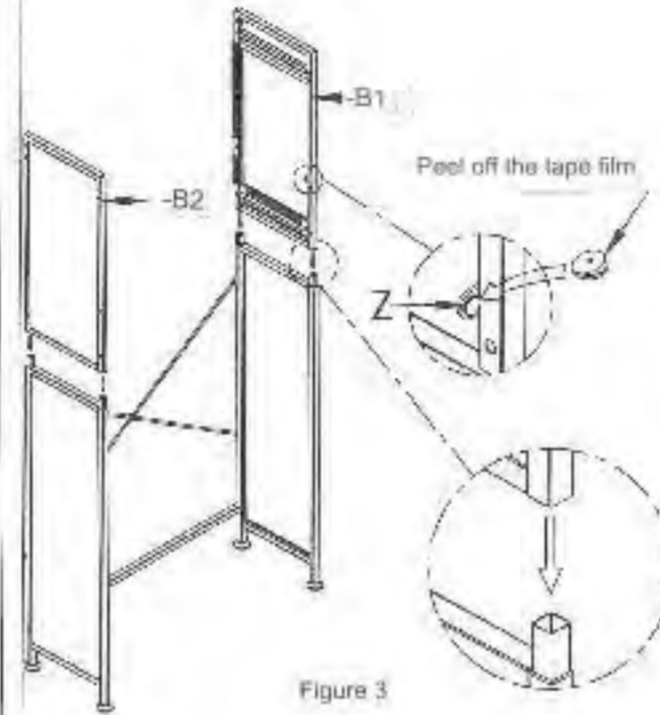


Figure 3

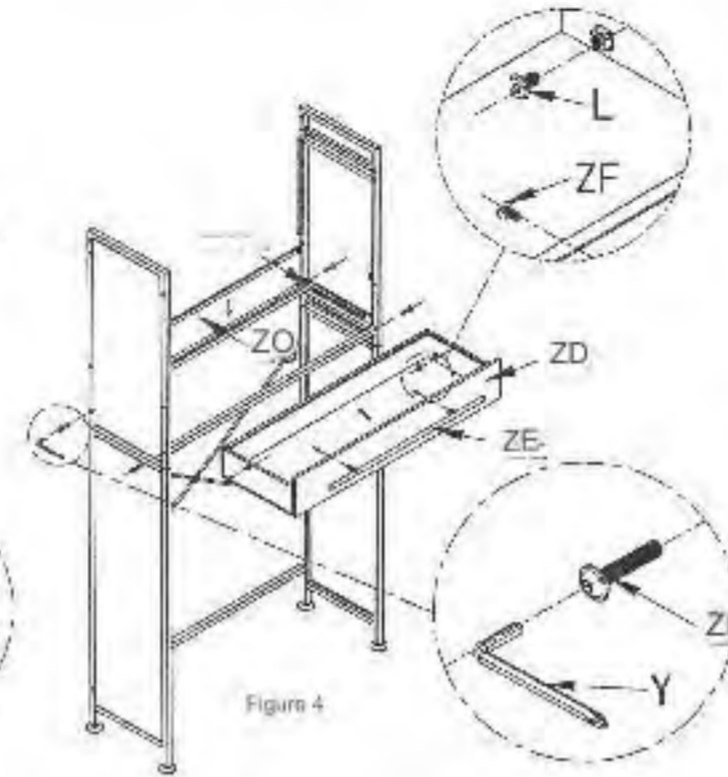


Figure 4

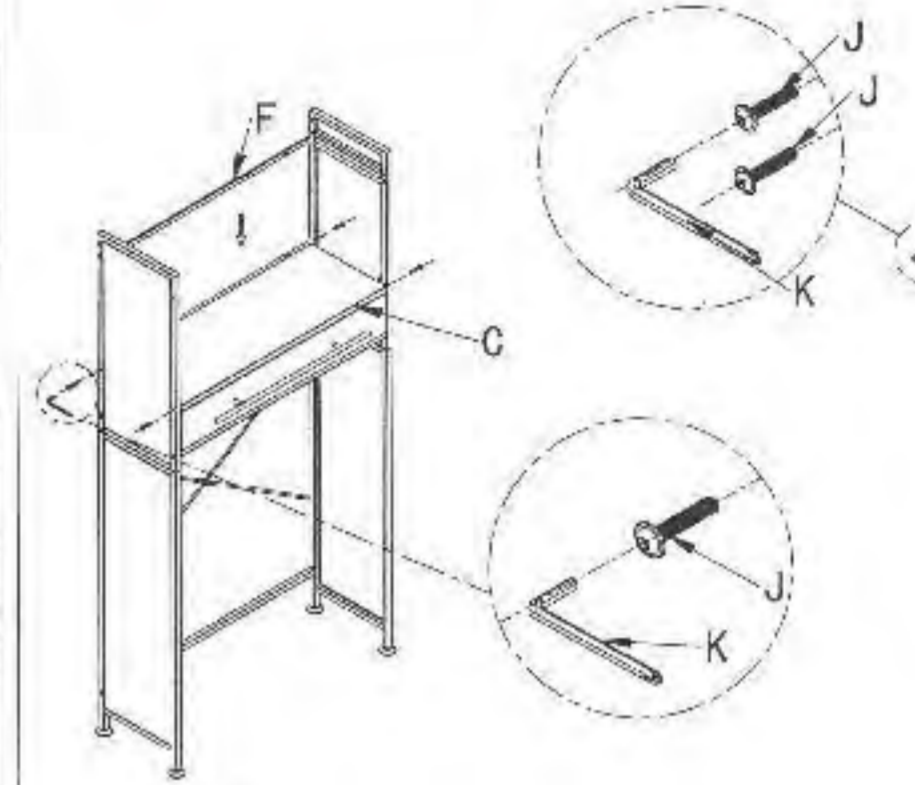


Figure 5



Figure 6

5. First tear off the film on both sides of the acrylic panel as shown in Figure 7, and then place the acrylic corrugated side forward into the door panel in the direction as shown in Figure 8

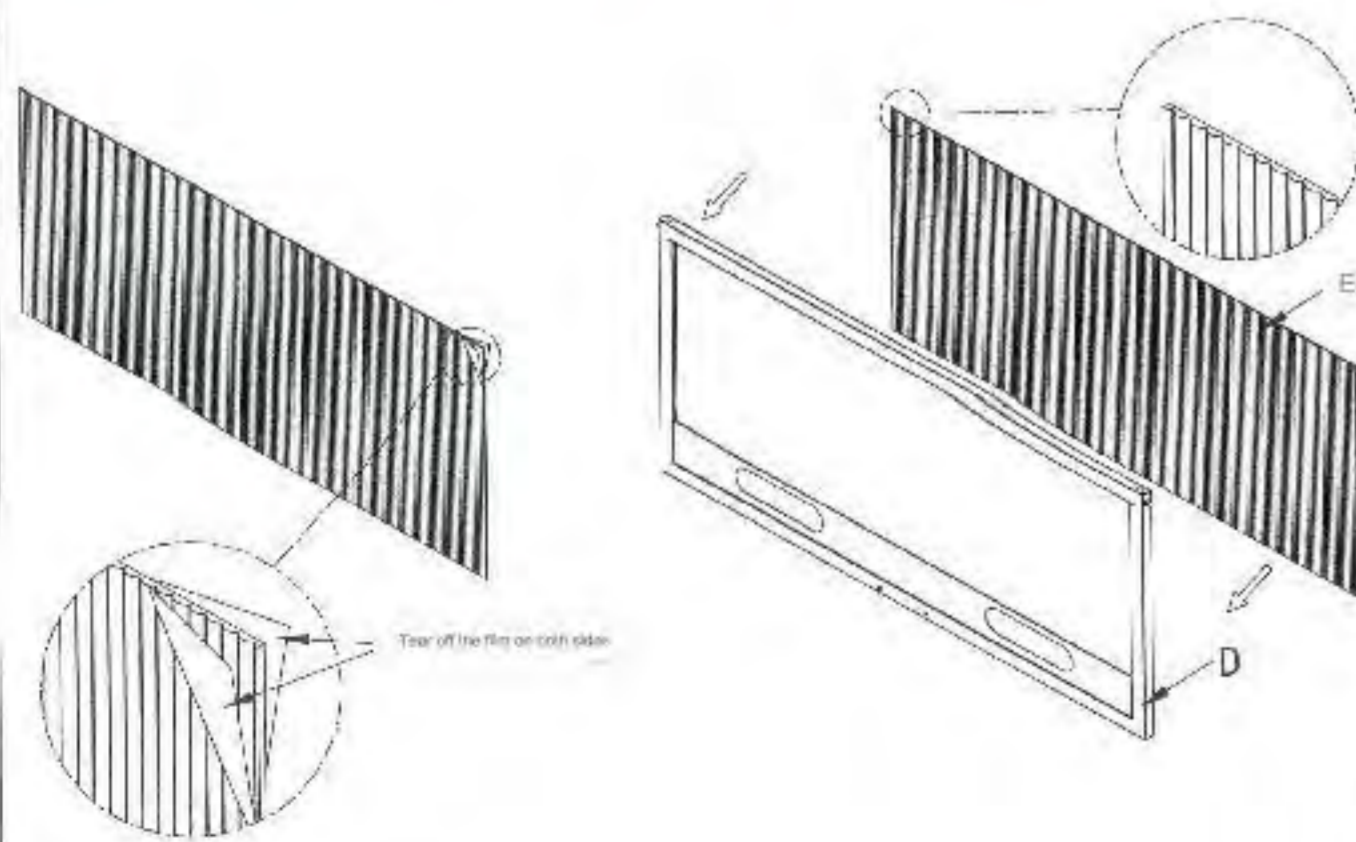


Figure 7

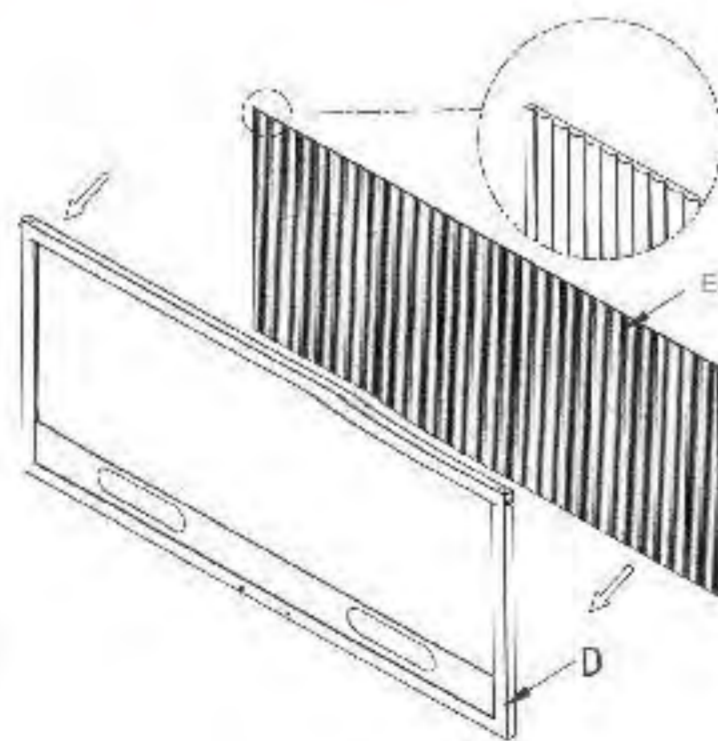


Figure 8

6. Turn the door panel of the installed acrylic panel over and press the door panel buckles into the holes in the direction shown in Figure 9 to fix it. Then use the cross pan head screws to fix the door handle from the back of the door panel to the door handle in the direction shown in Figure 10. Door panel

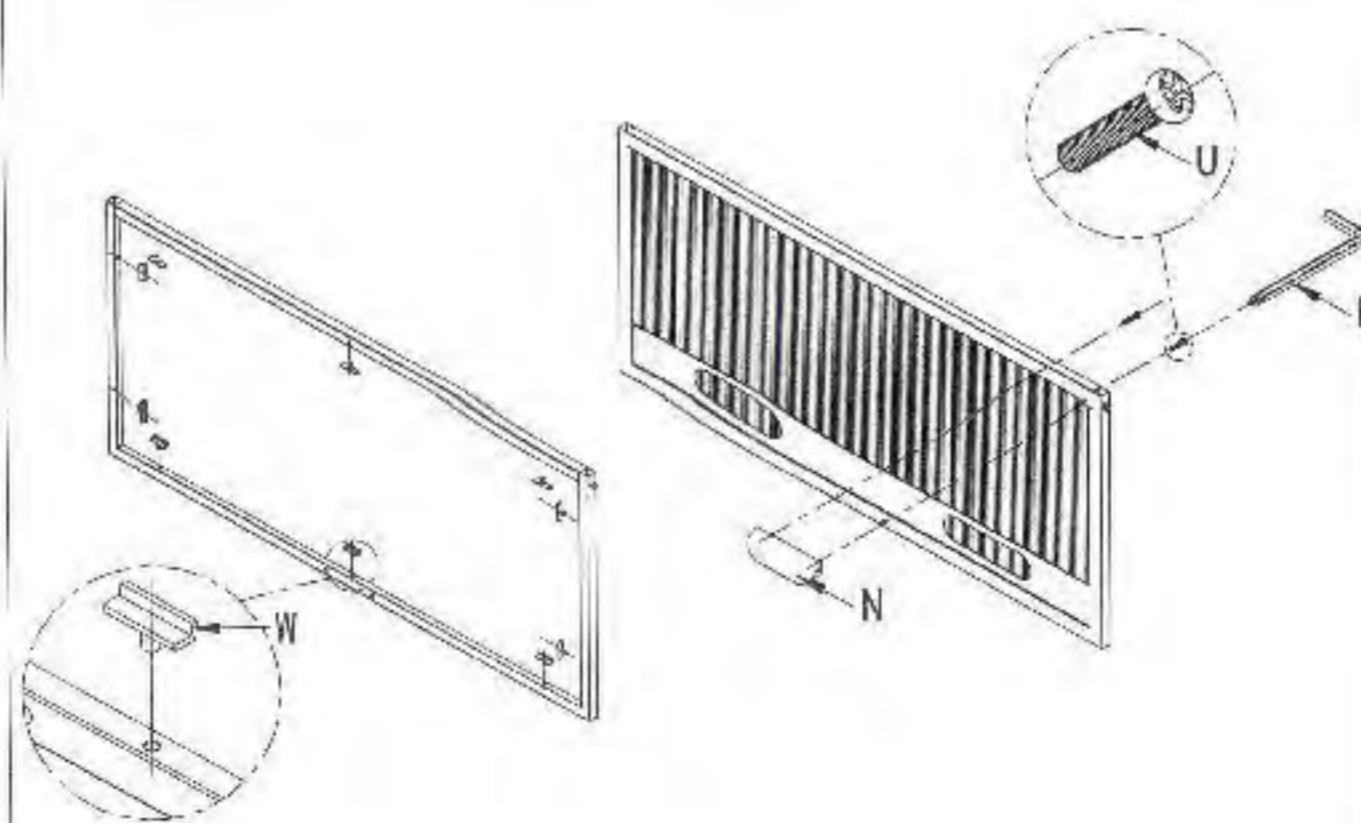


Figure 9

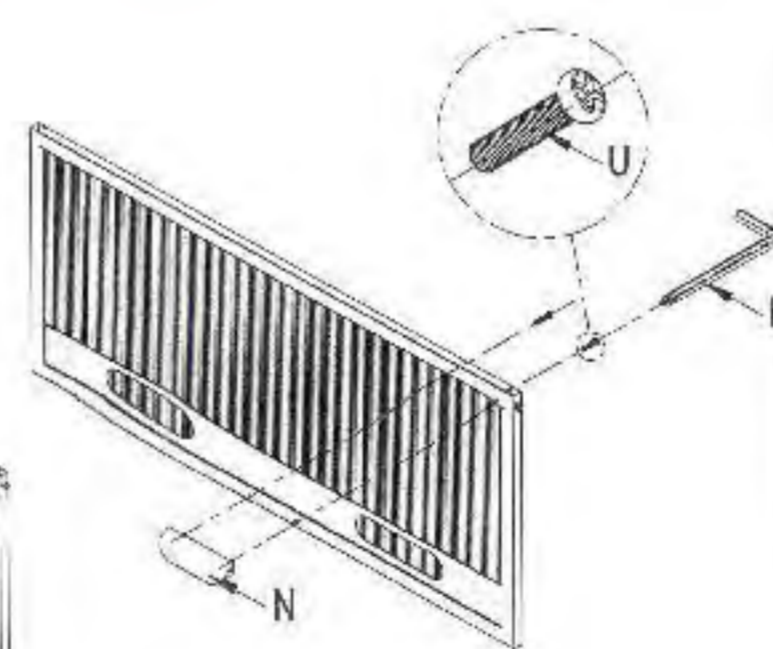


Figure 10

7. Press the buckles on both sides to snap the door frame into the guide rail groove of the left and right upper and lower side frames as shown in Figure 11. The hidden door frame is shown in Figure 12.

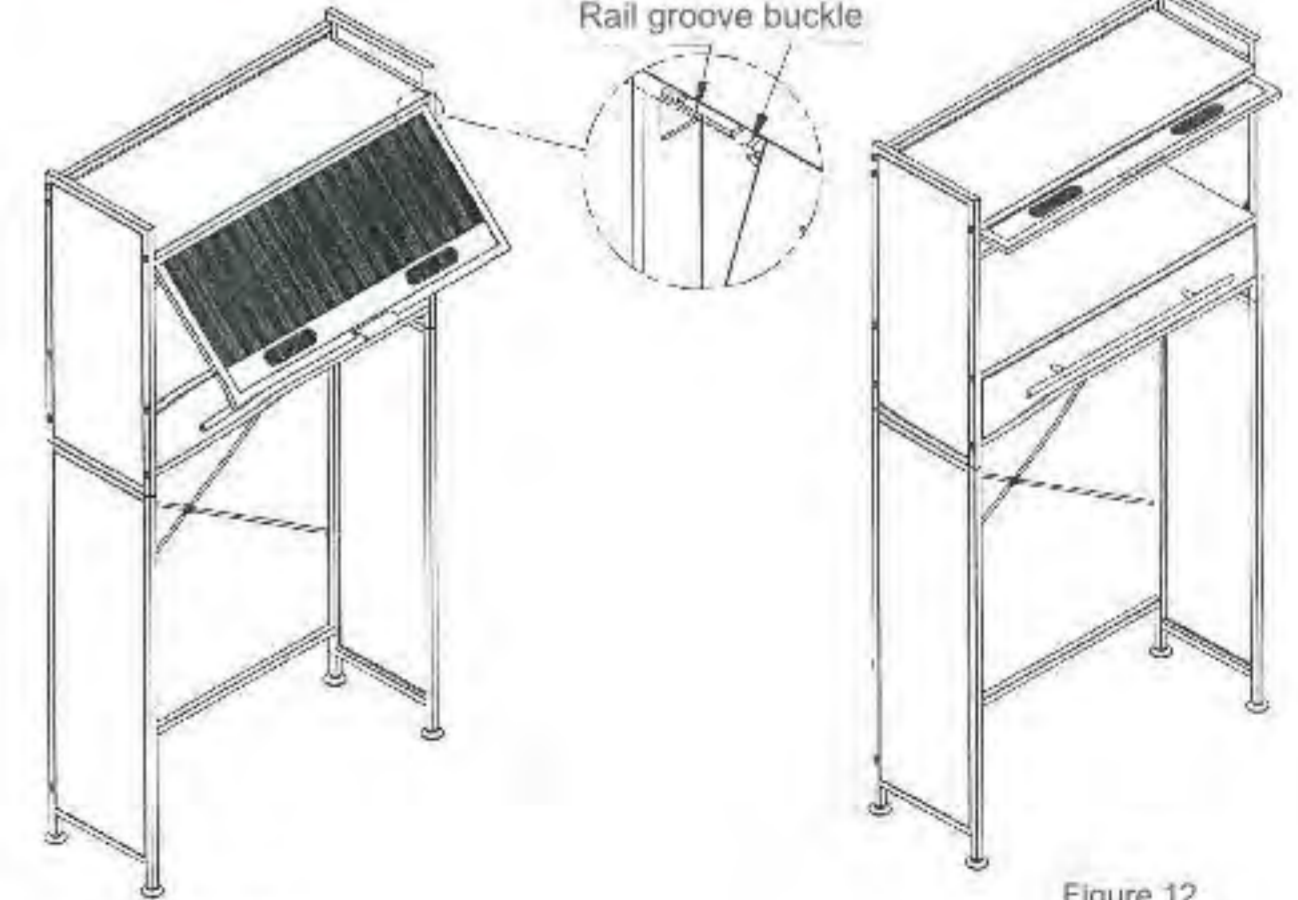


Figure 11

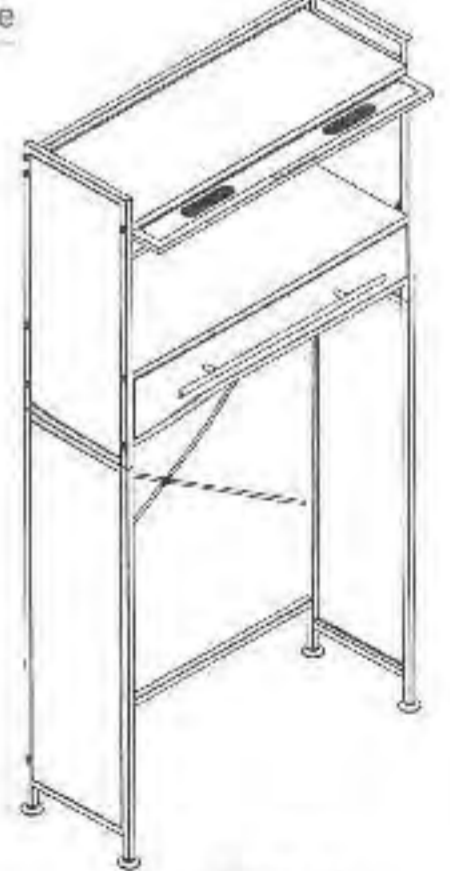


Figure 12

Division