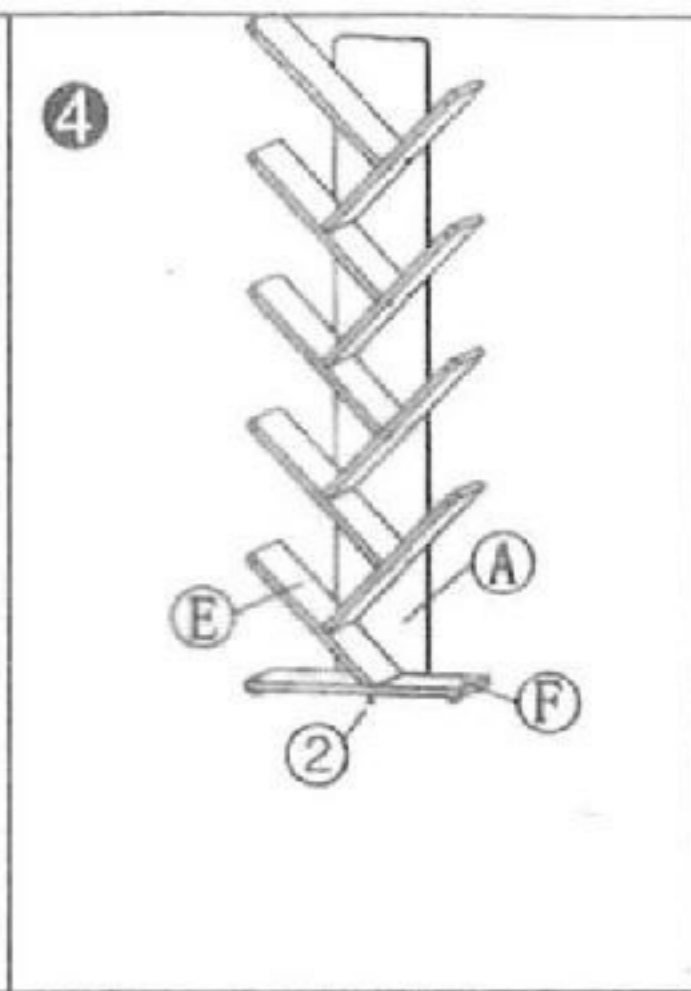
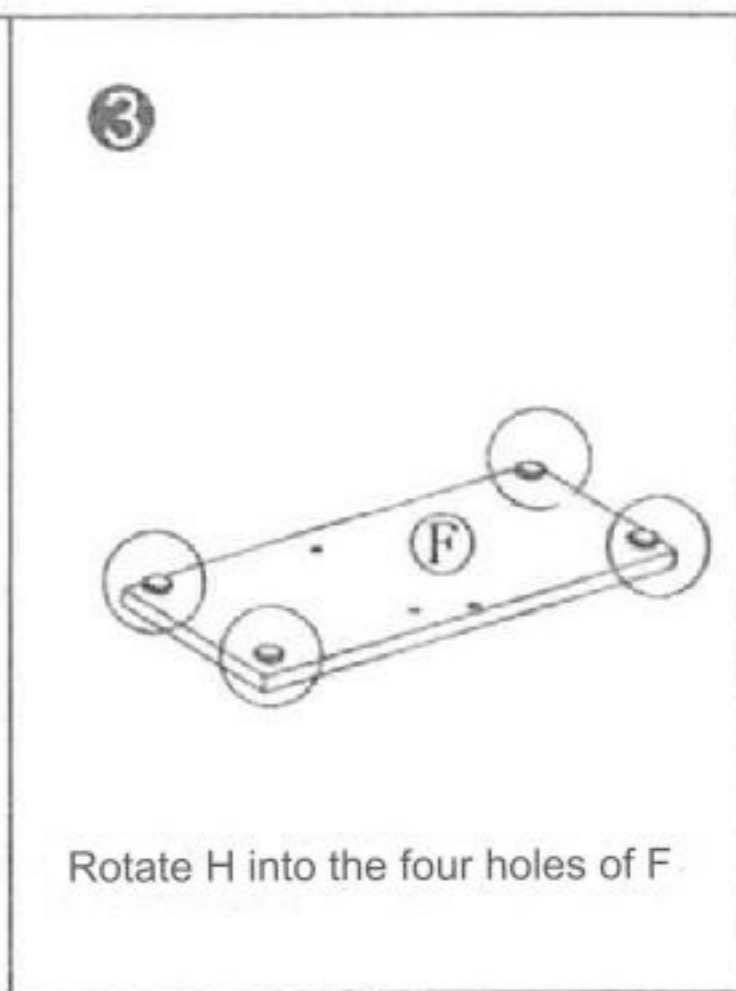
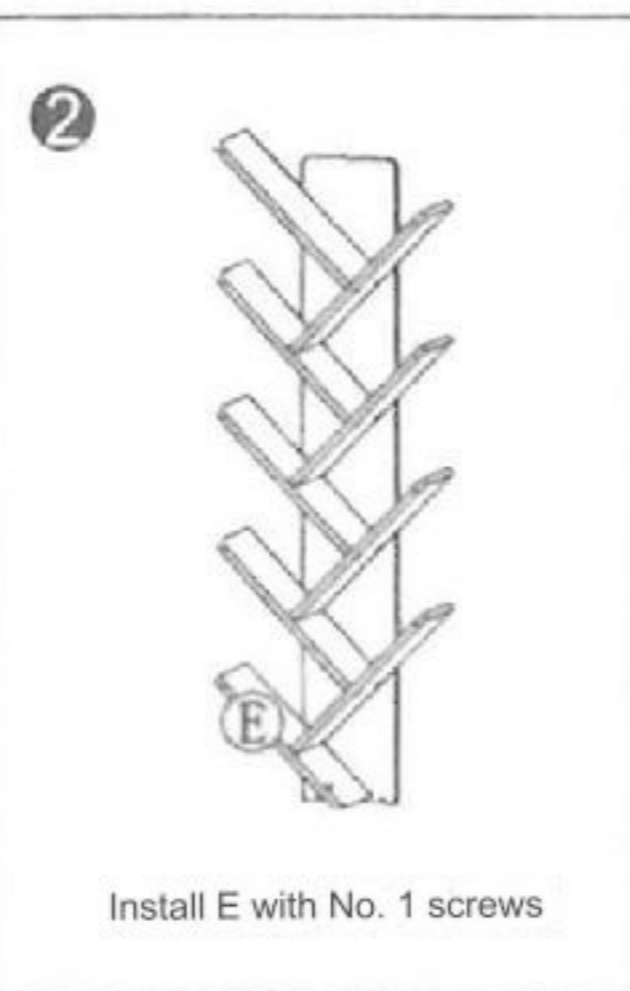
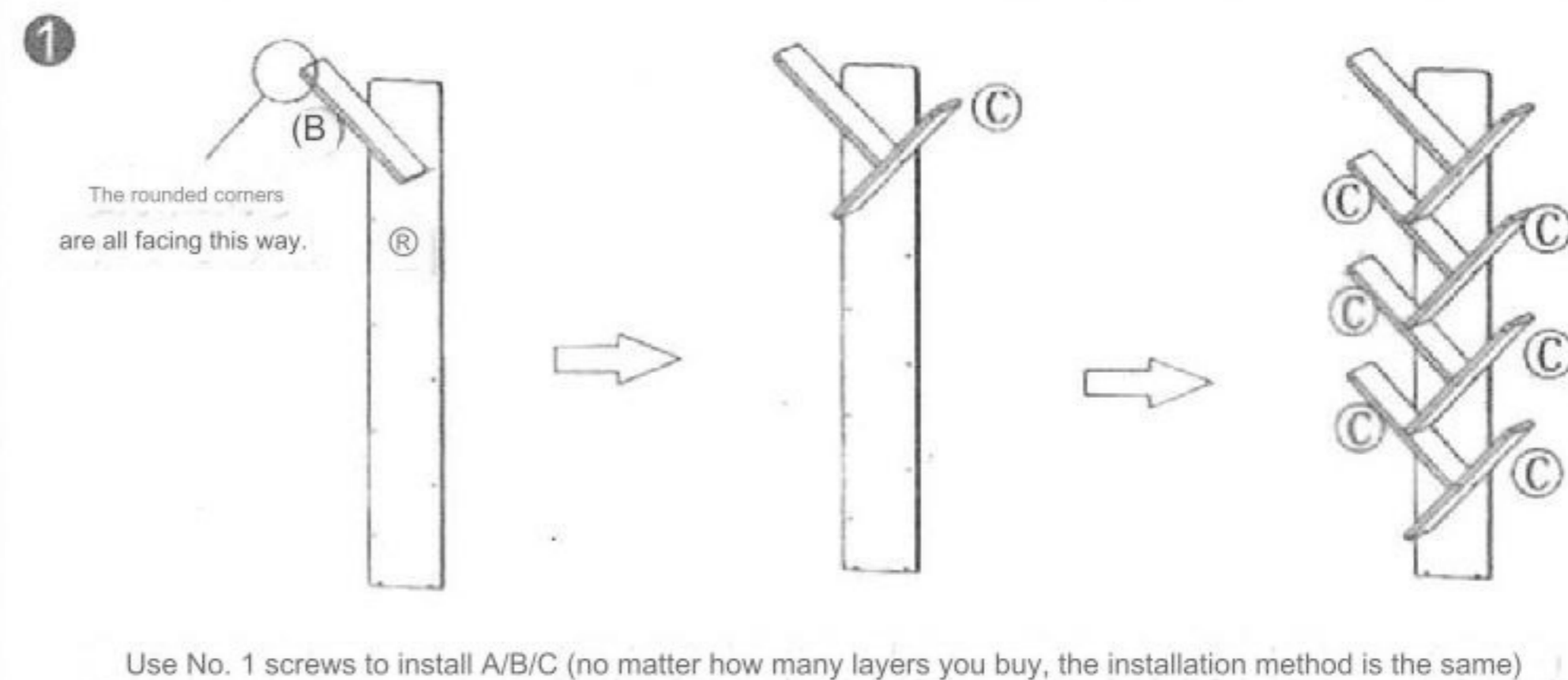
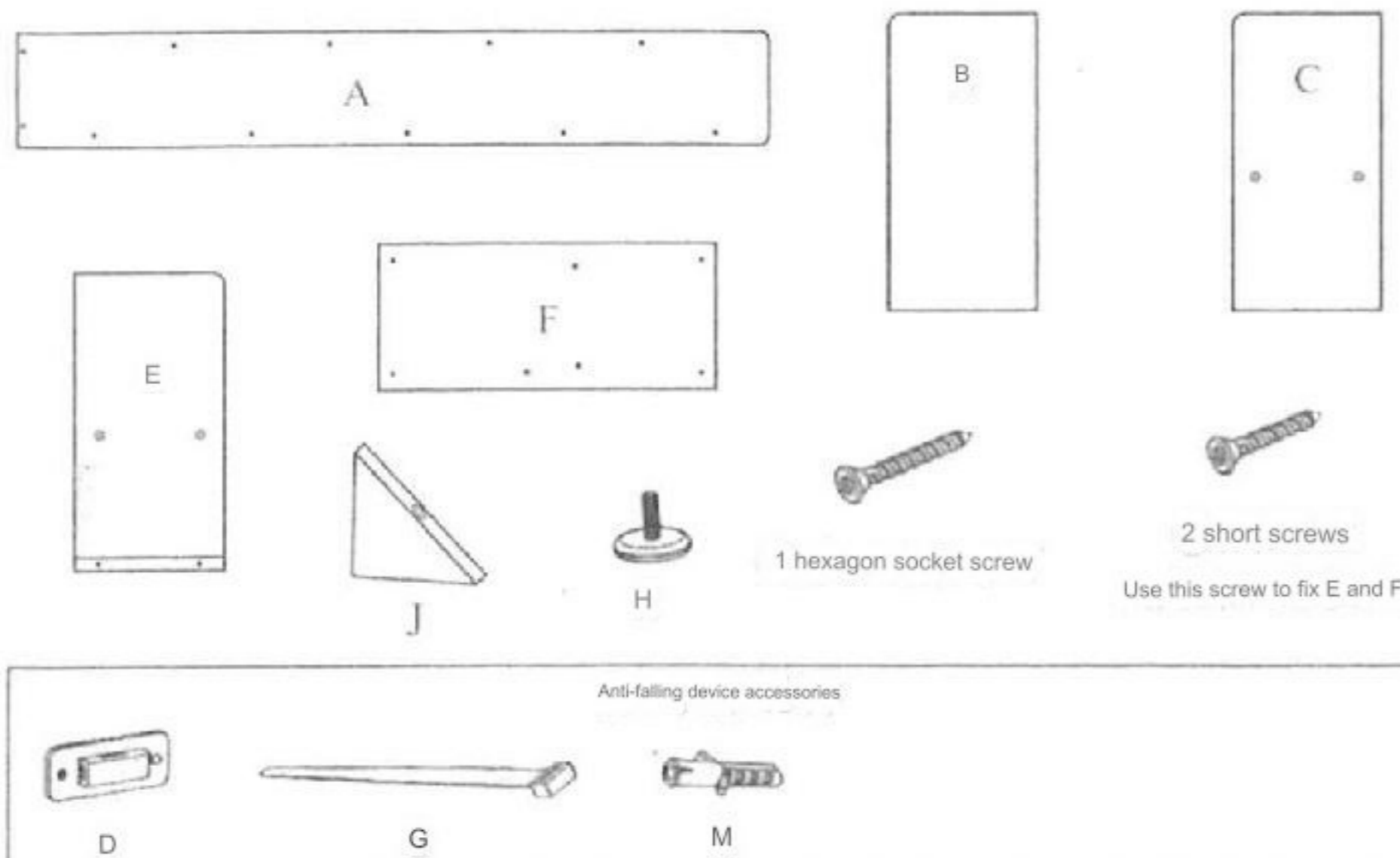
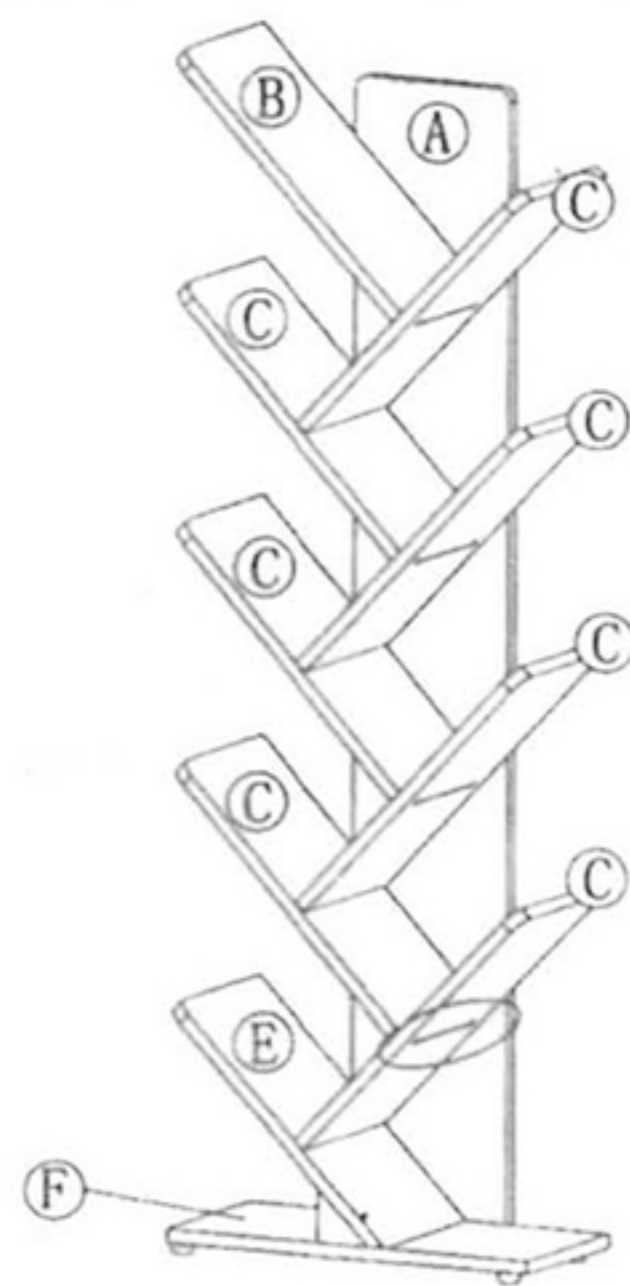


Tree-shaped bookshelf installation diagram

Accessories list



Exploded view



Warm reminder: When installing, screw in the screws on both sides first. Do not tighten one screw first to avoid difficulty in finding the hole location during installation.

The tree-shaped bookshelf is divided into two floors, three floors, four floors, five floors and six floors. Here we take the fifth floor as an example.

