

Furniture installation



Please be sure to use a manual screwdriver and refrain from using an electric drill.

SOCE008 - 25CM Installation Instruction



①



②



③



④



⑤



⑥



⑦



⑧



⑨



⑩



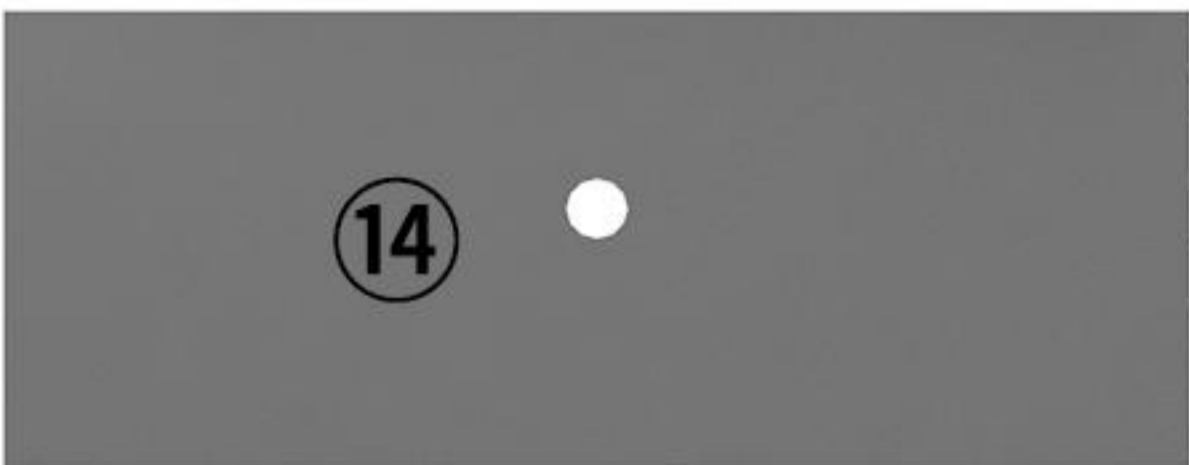
⑪



⑫



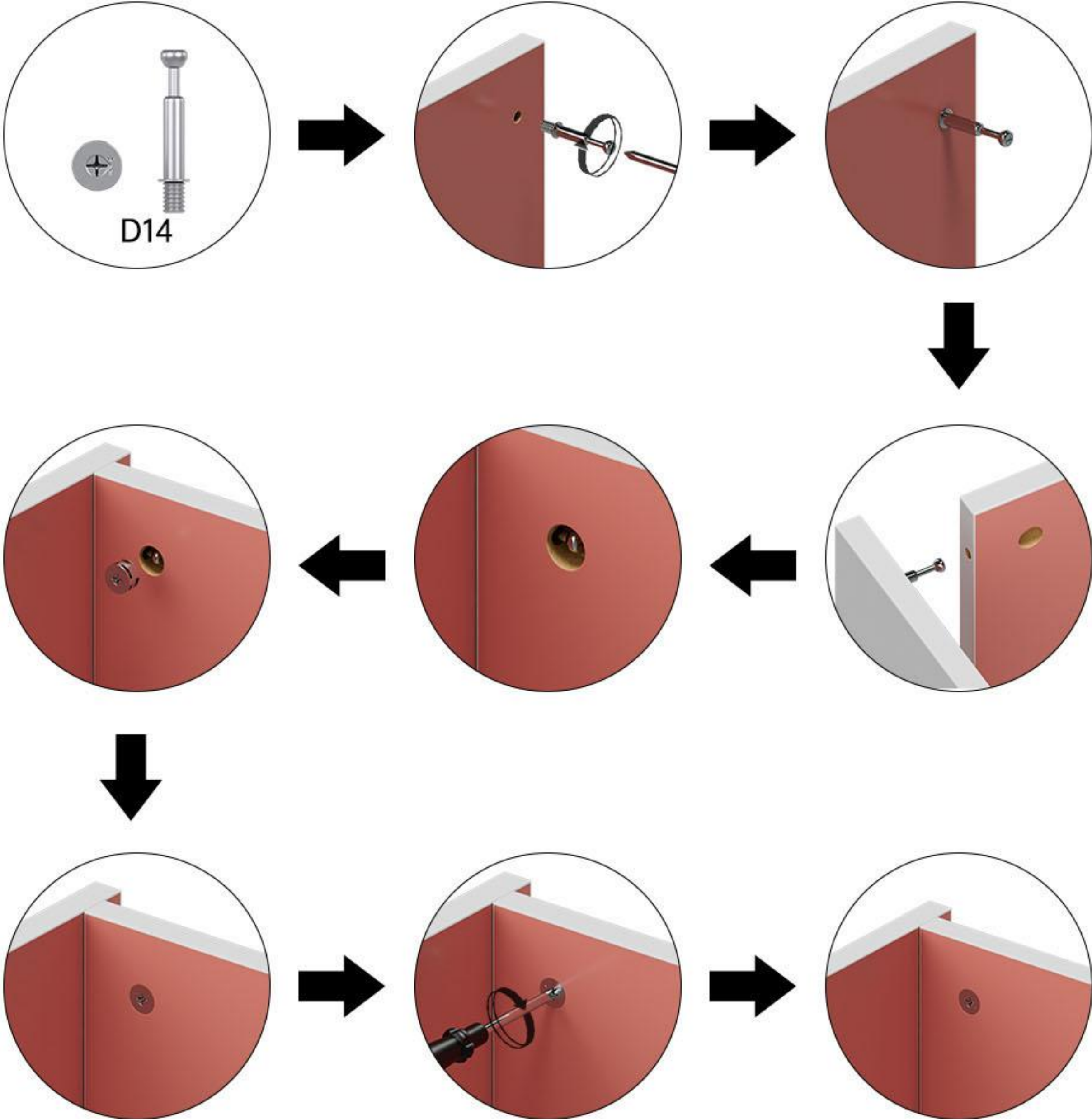
⑭



⑮



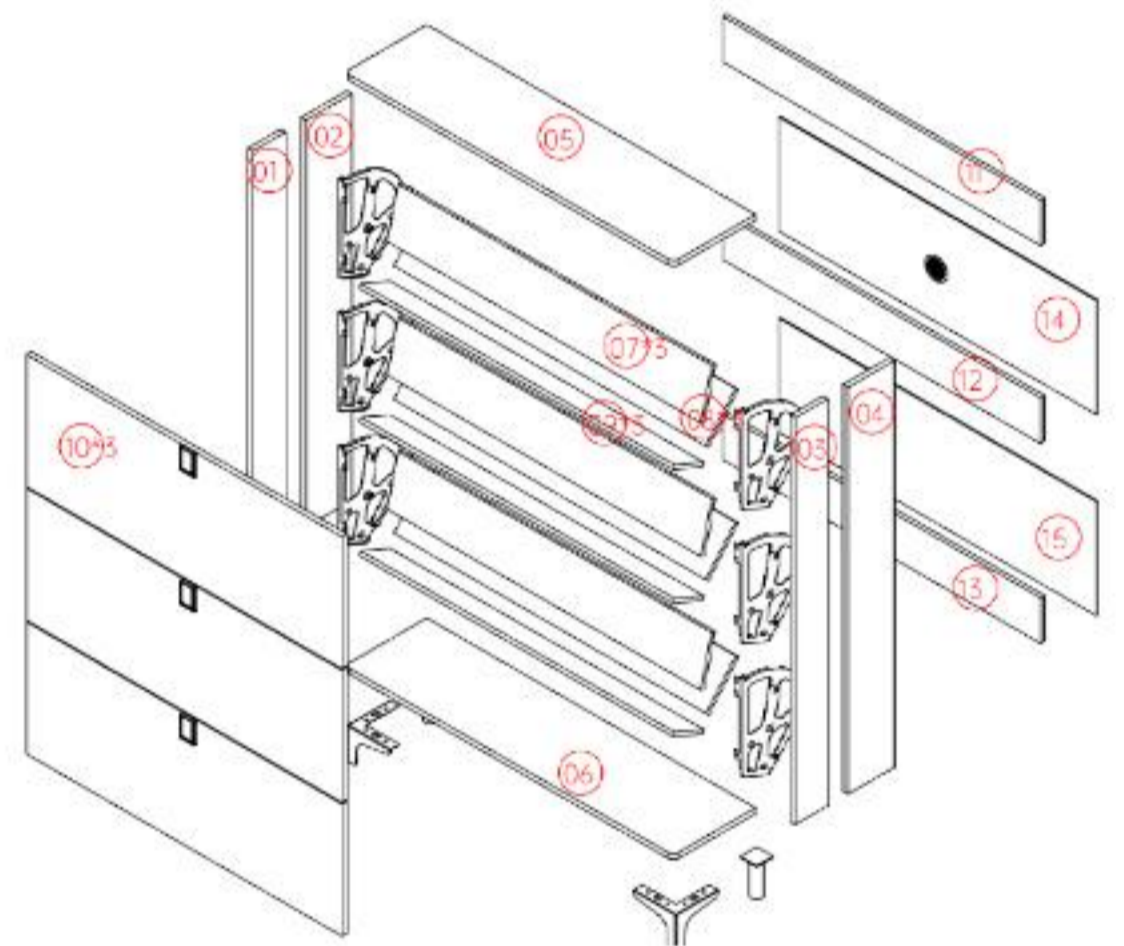
Installation method of eccentric screw



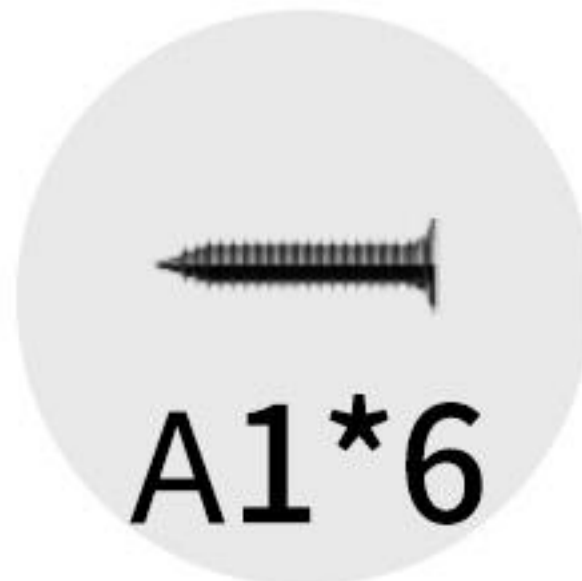
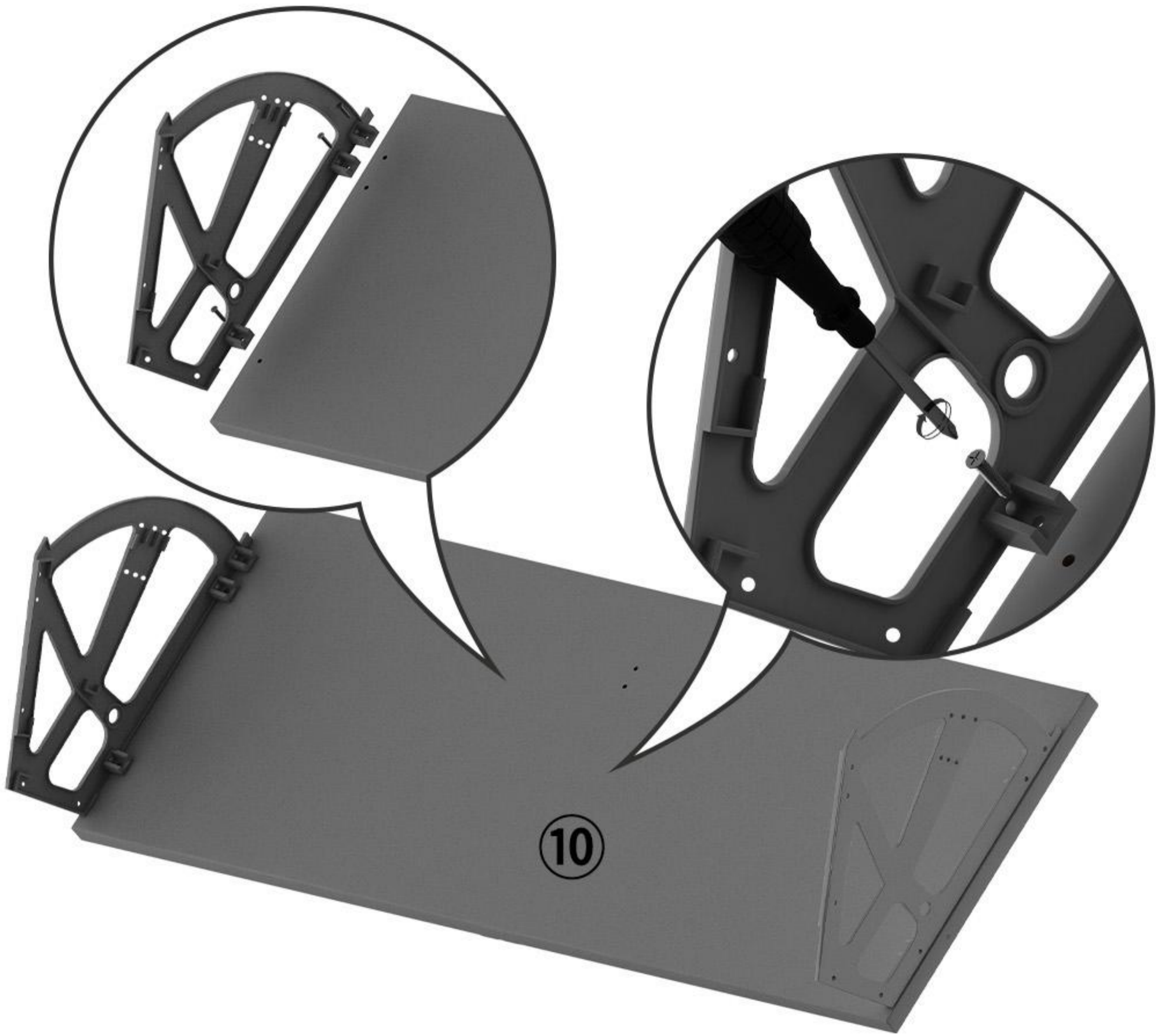
Presentation of finished product



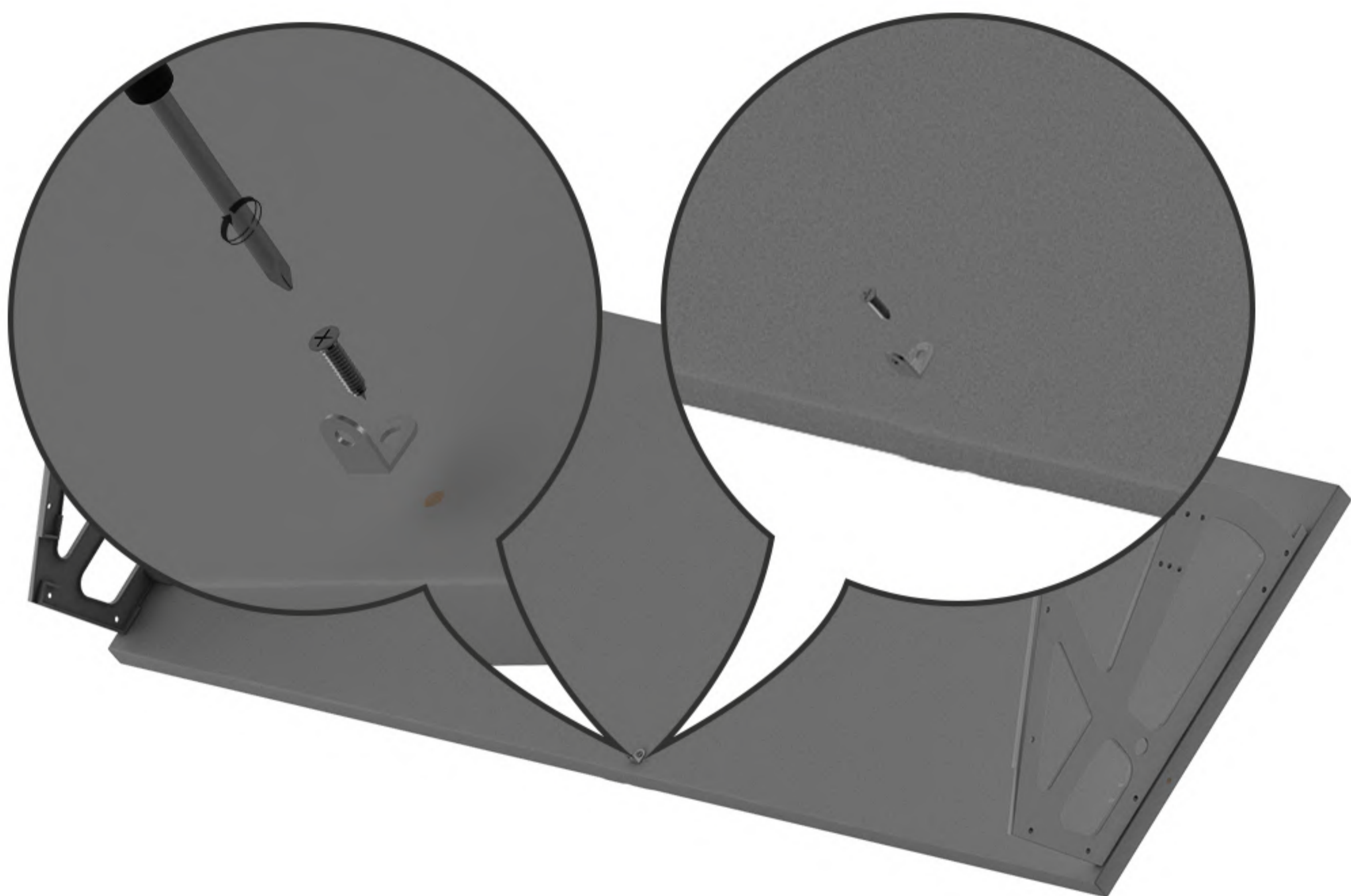
Product Split Diagram



1



2



L11



A1*1

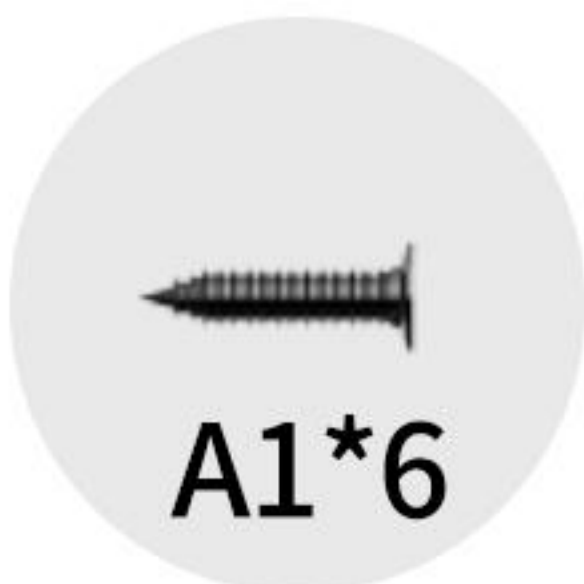
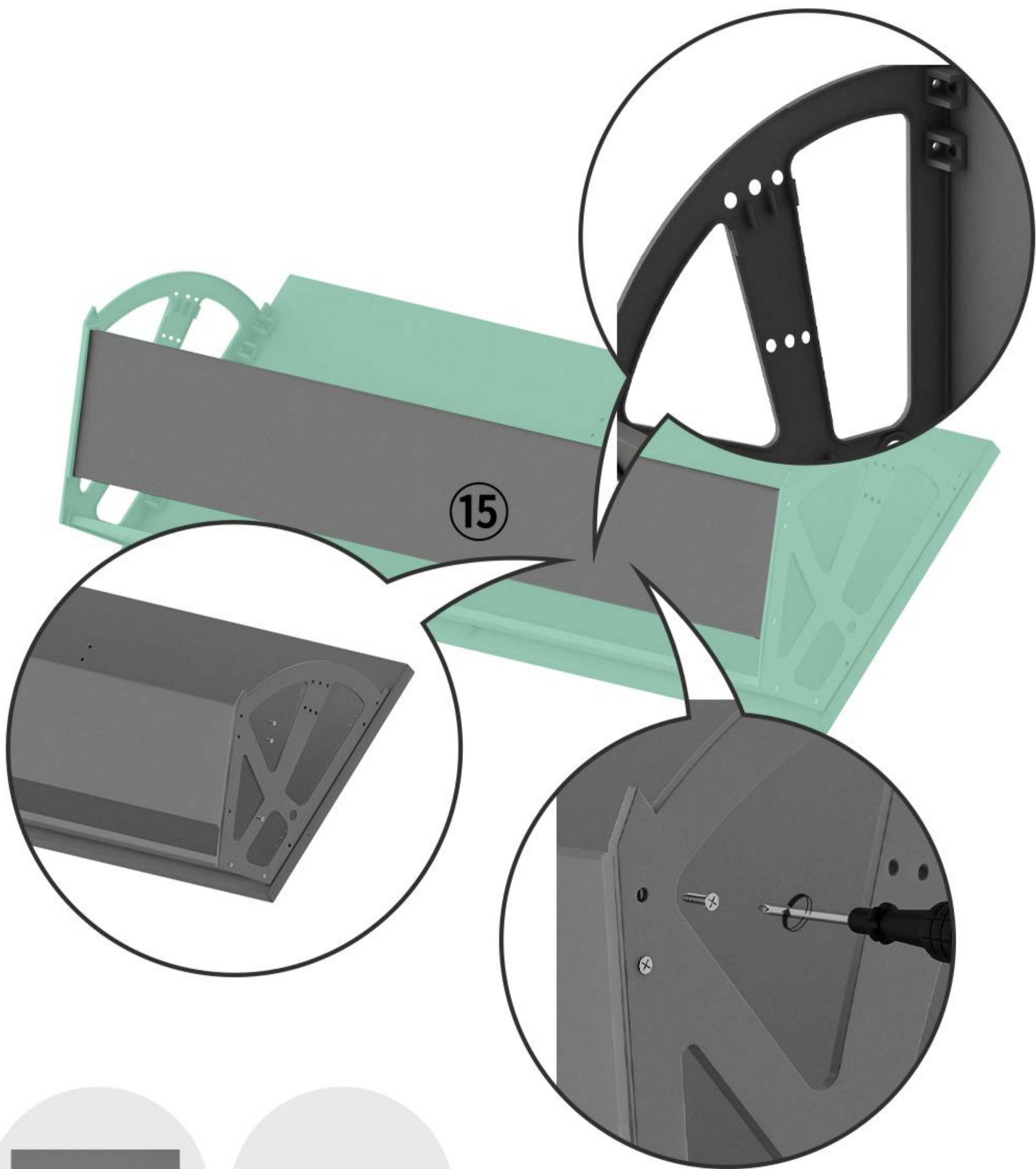
3



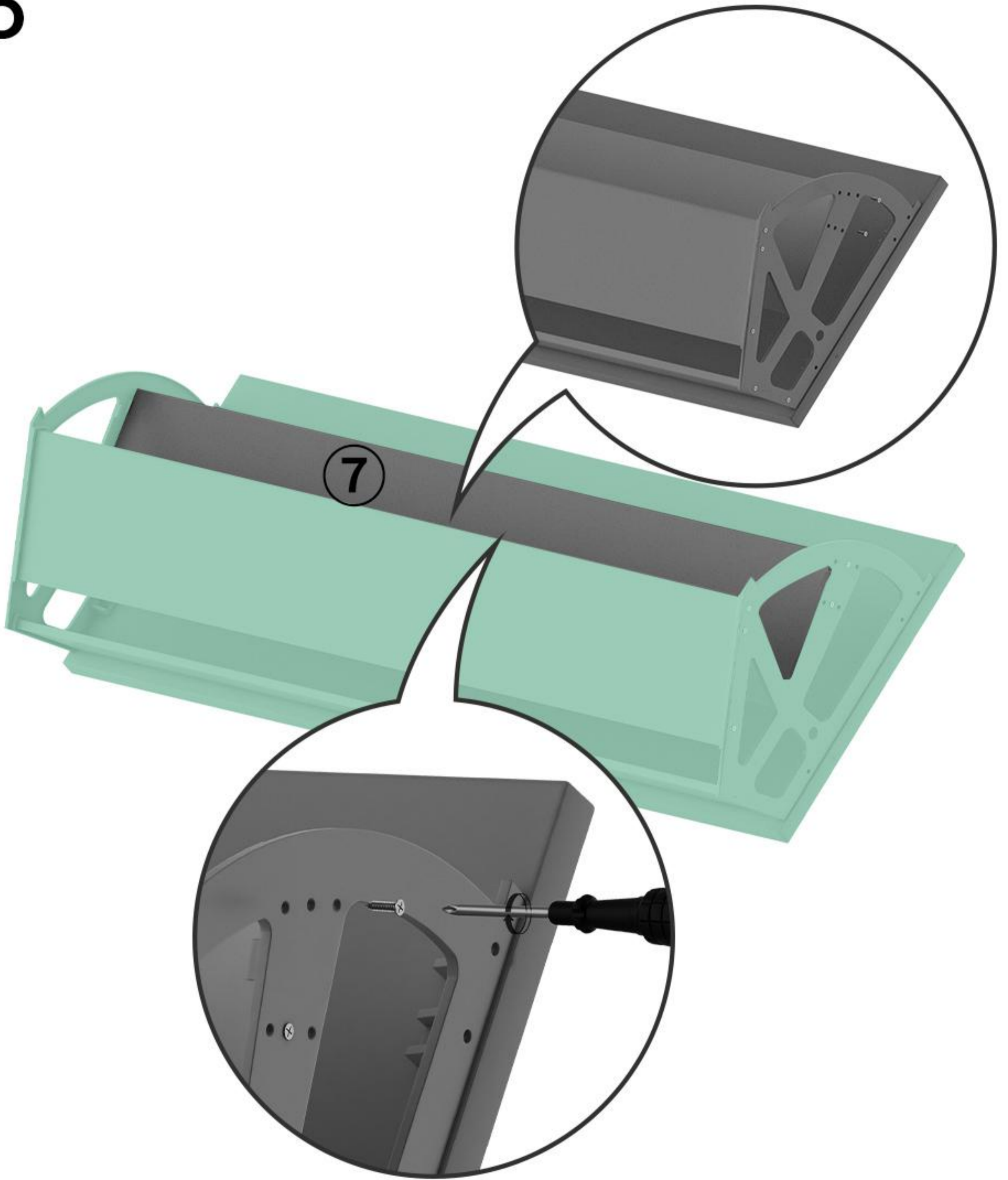
A1*4

4

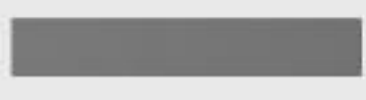
3 Adjustable Levels



5

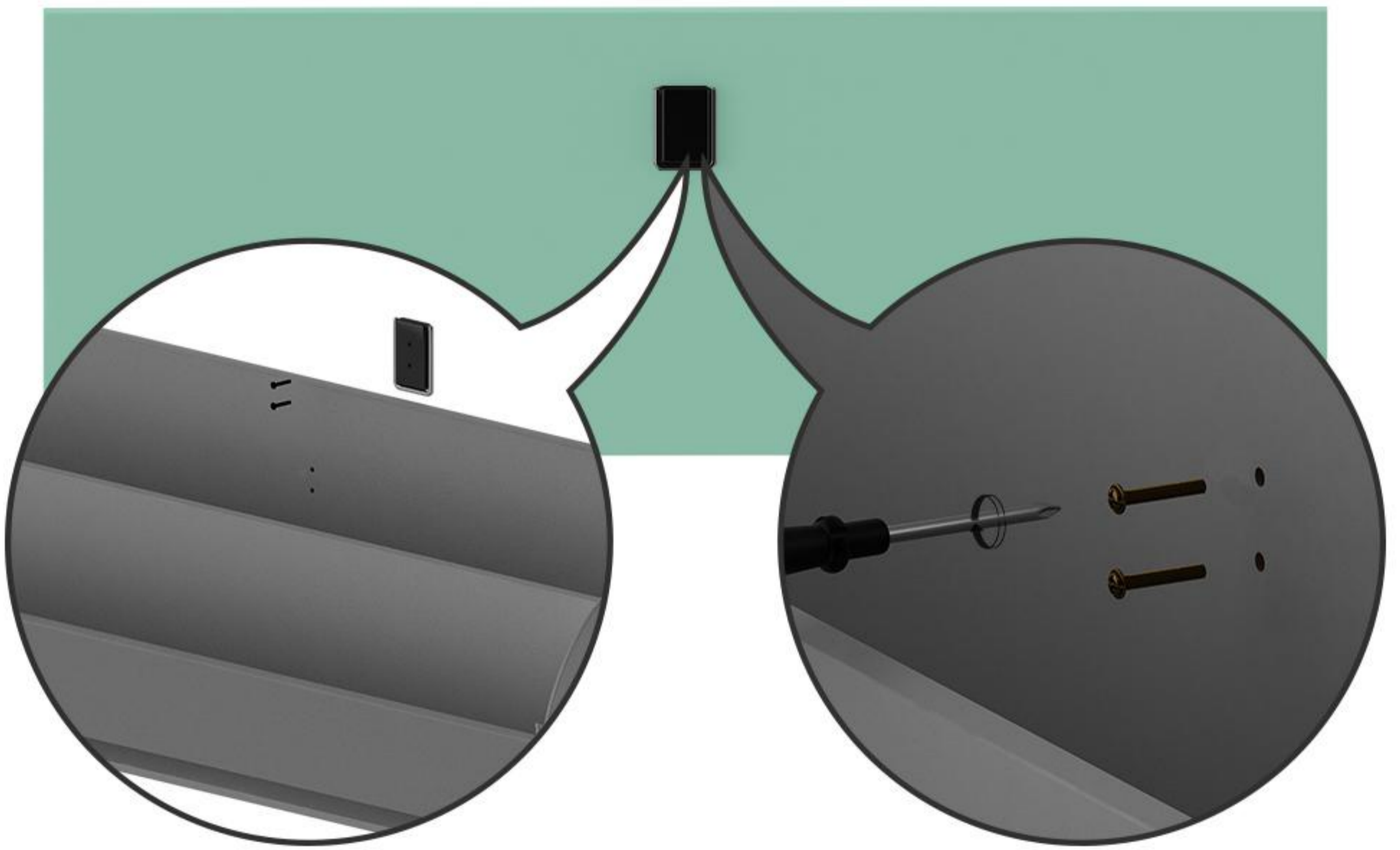


A1*4



7

6

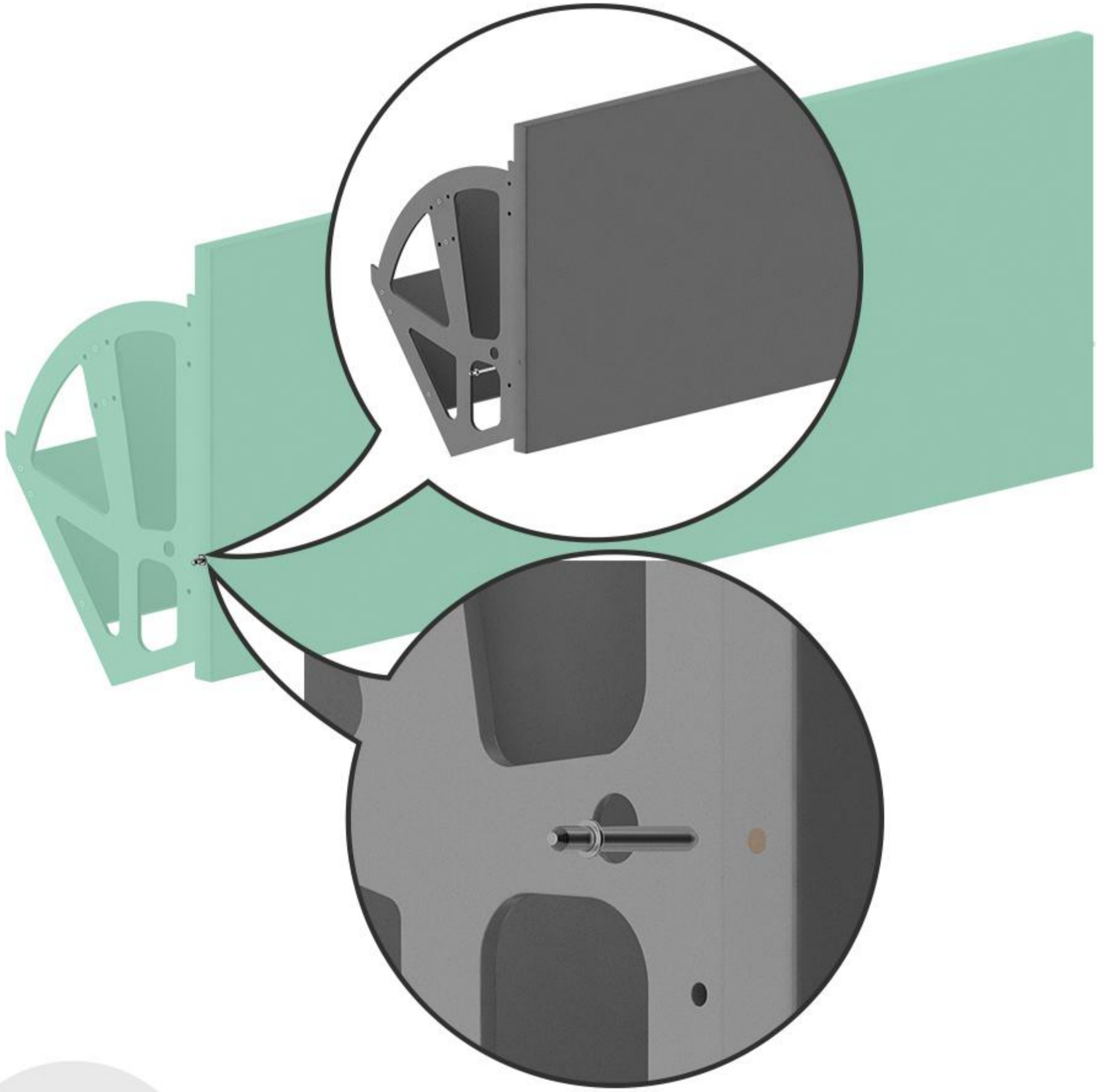


J62



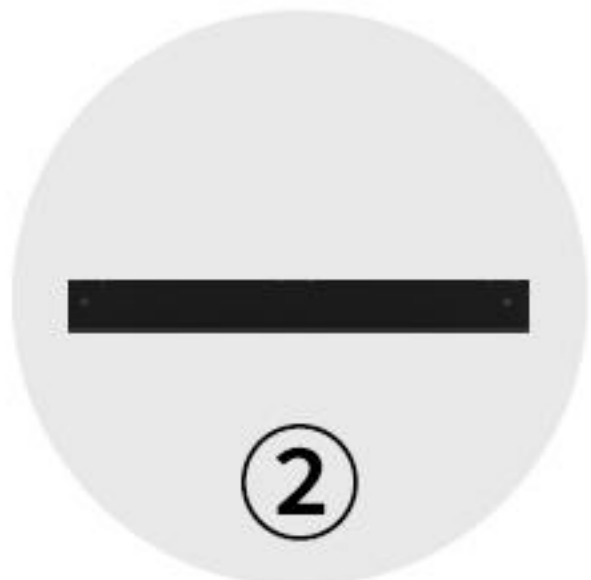
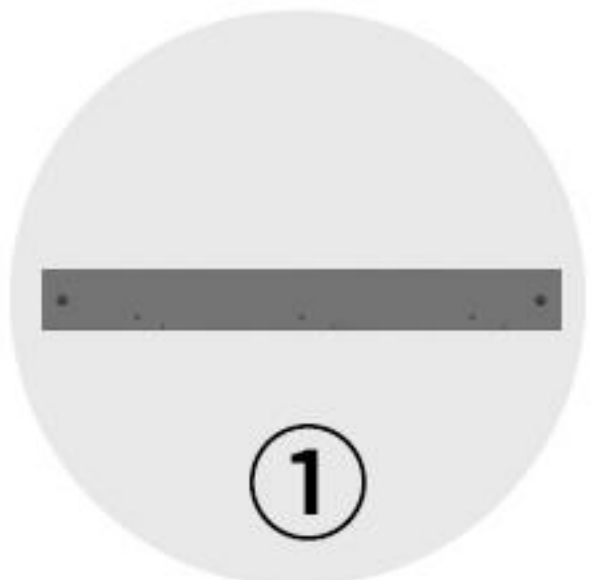
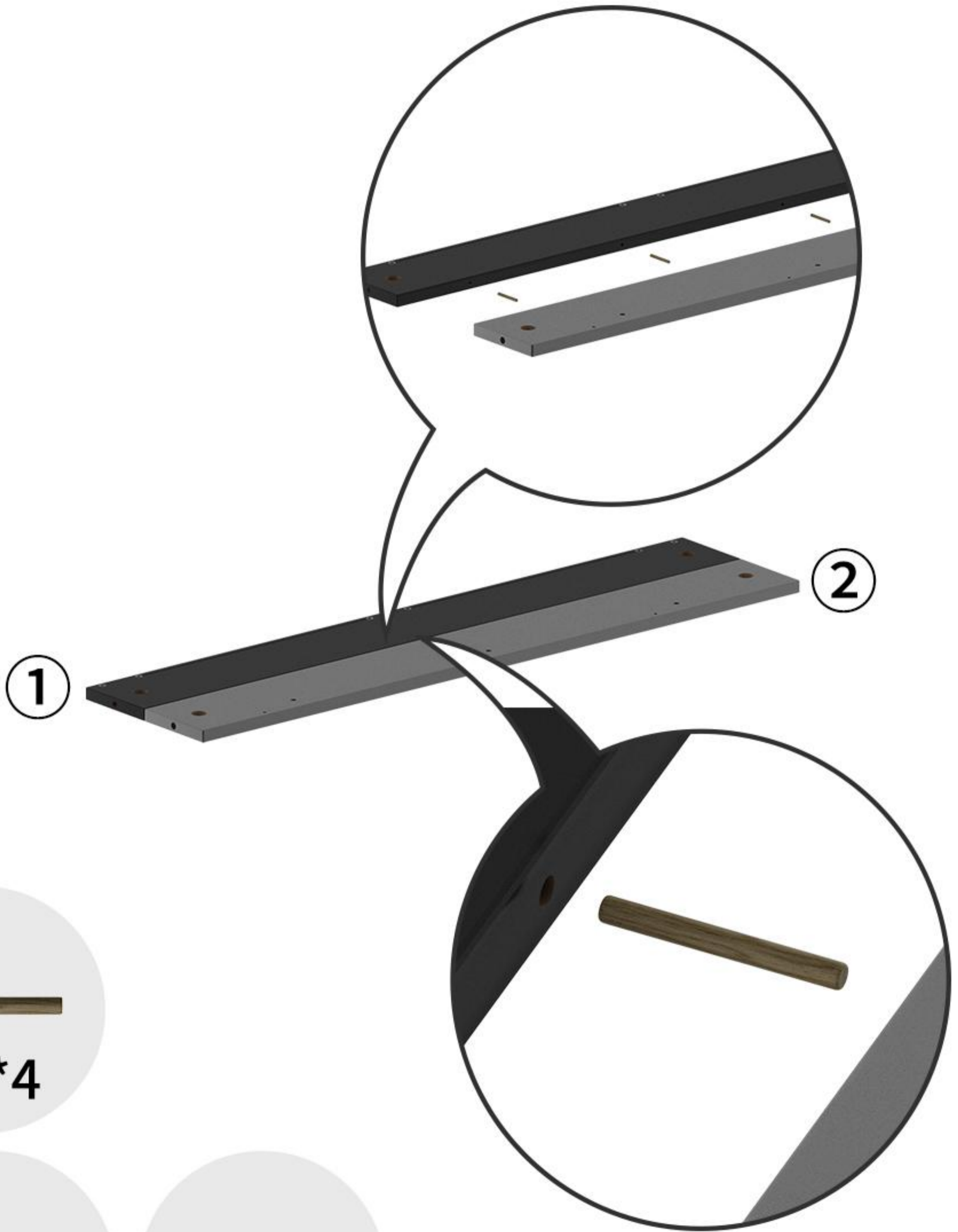
B16*2

7



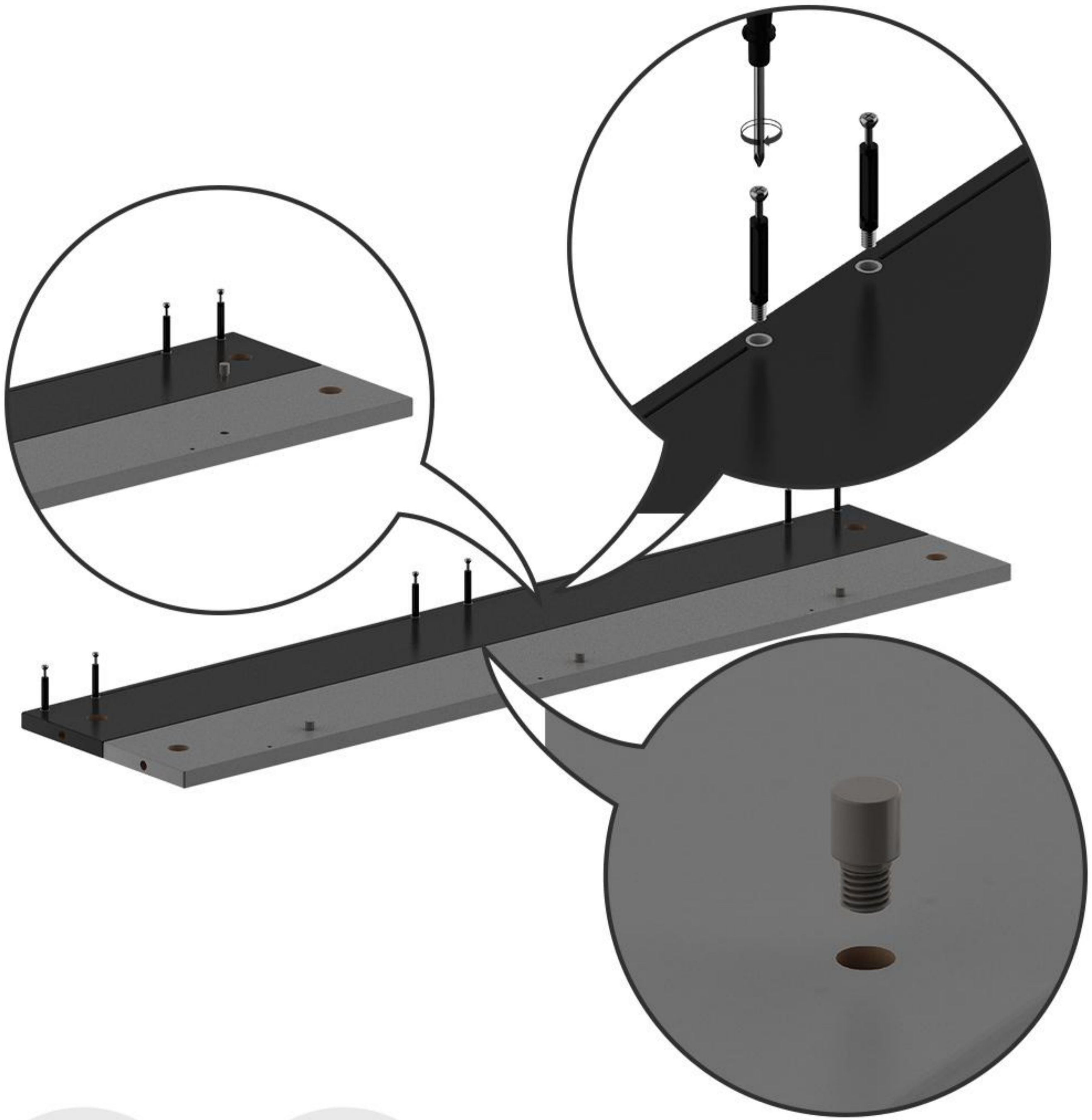
P10*2

8



9

Repeat steps 8-9 for panels ③ and ④

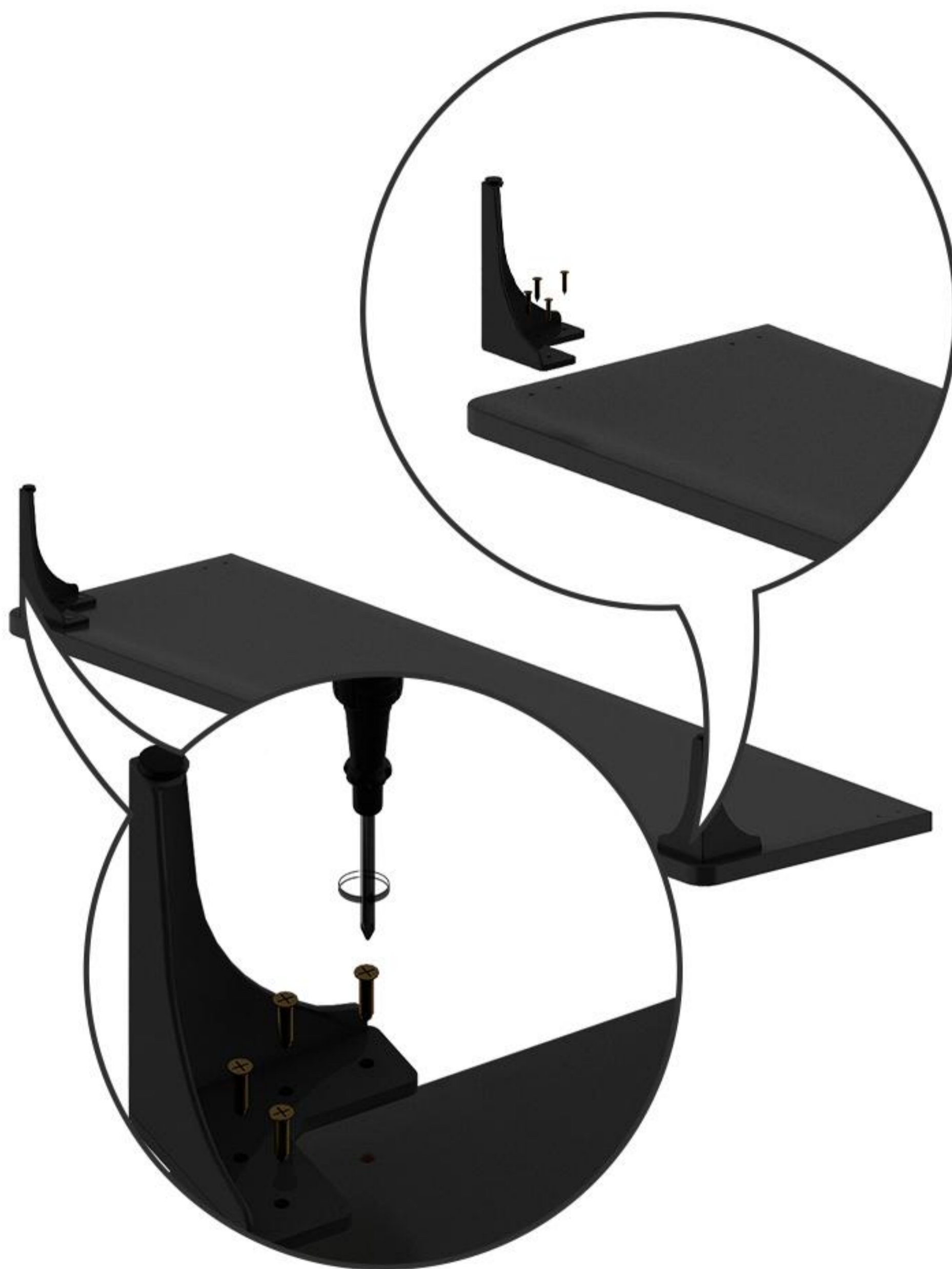


D1*6

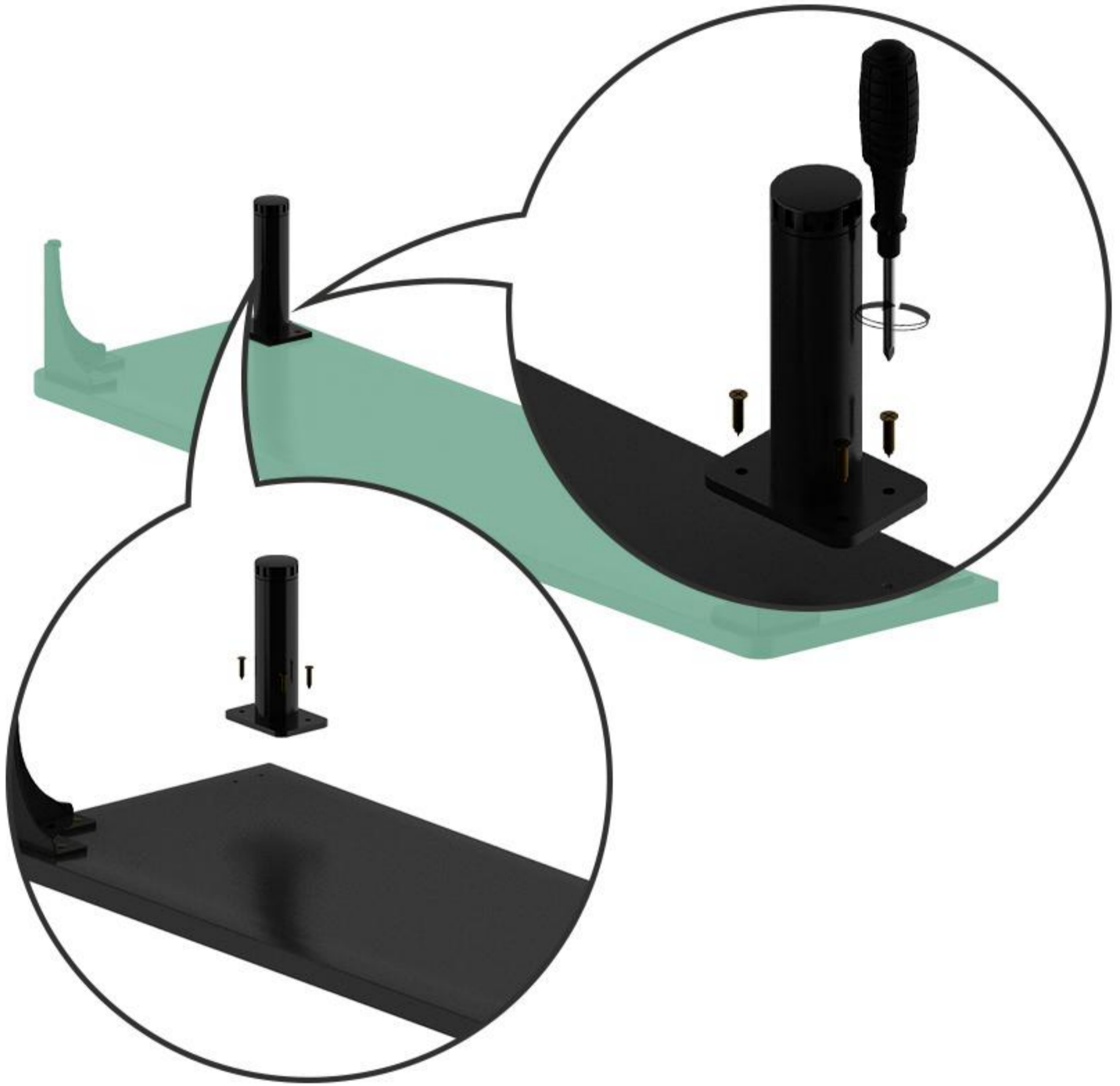


S15*3

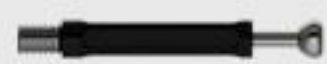
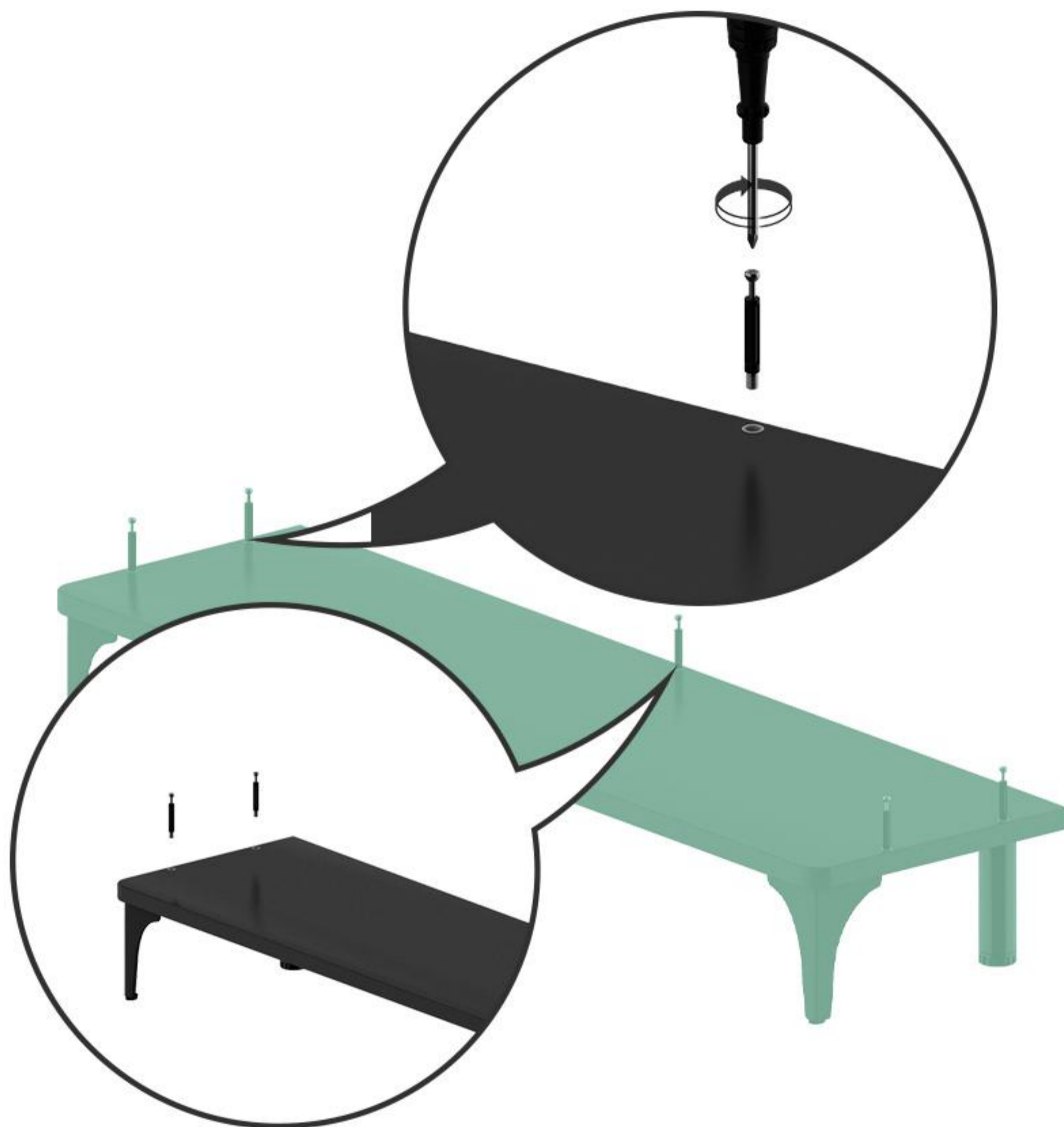
10



11

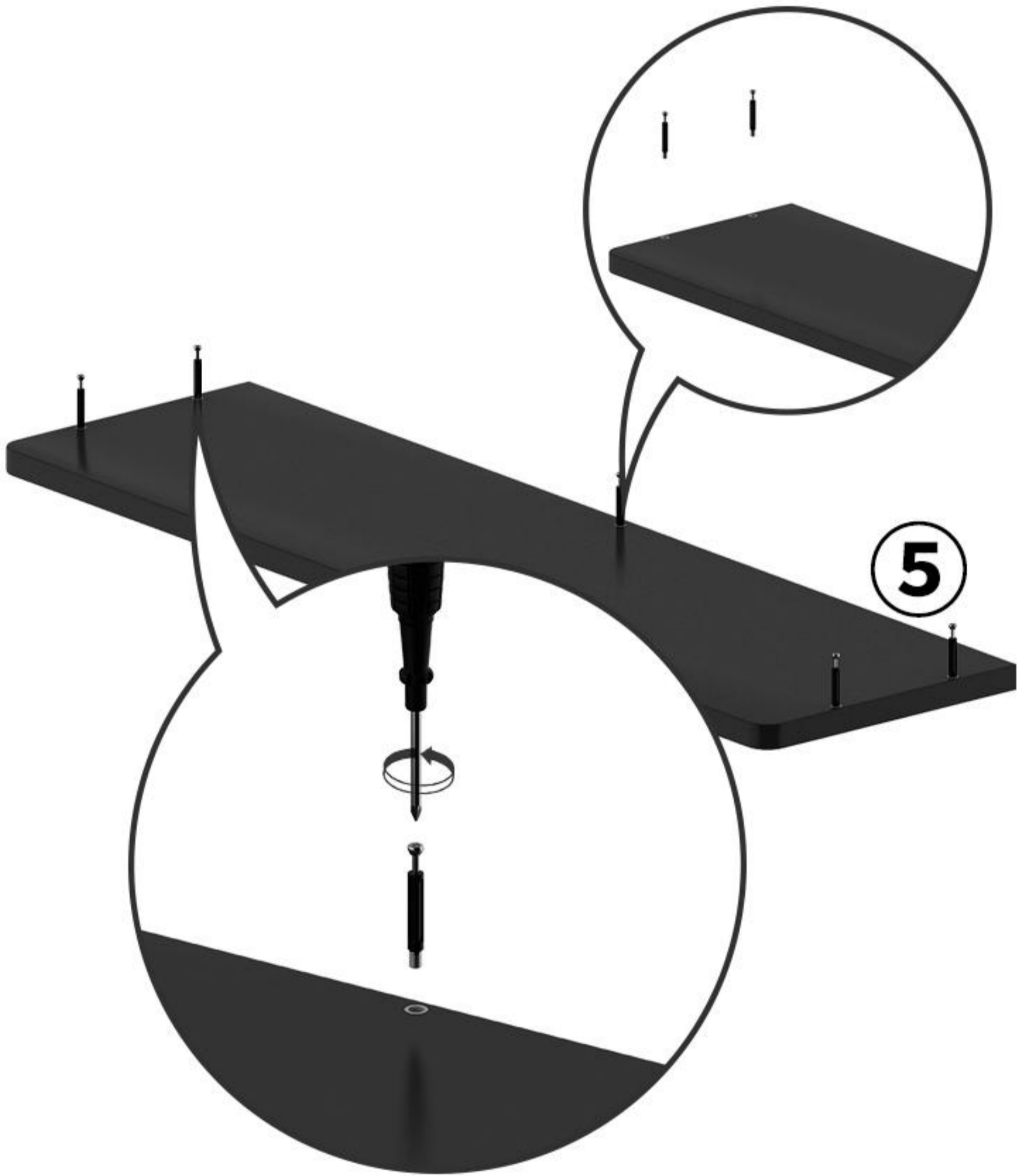


12



D1*5

13

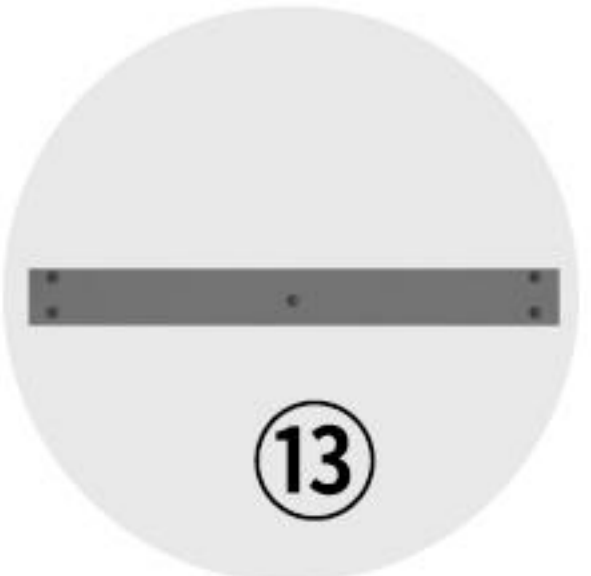
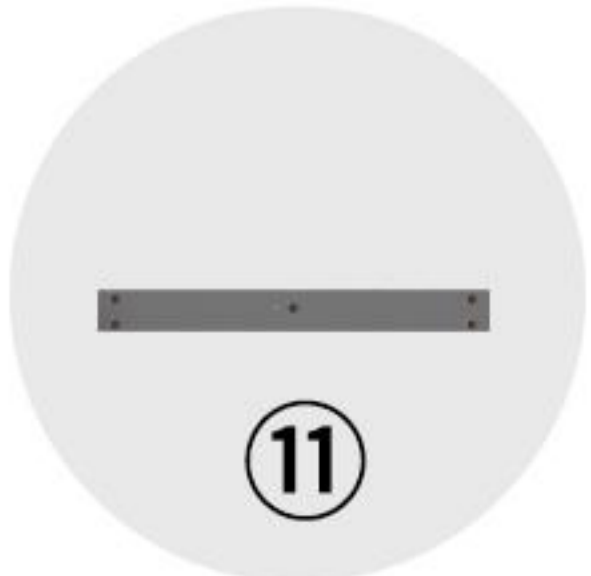
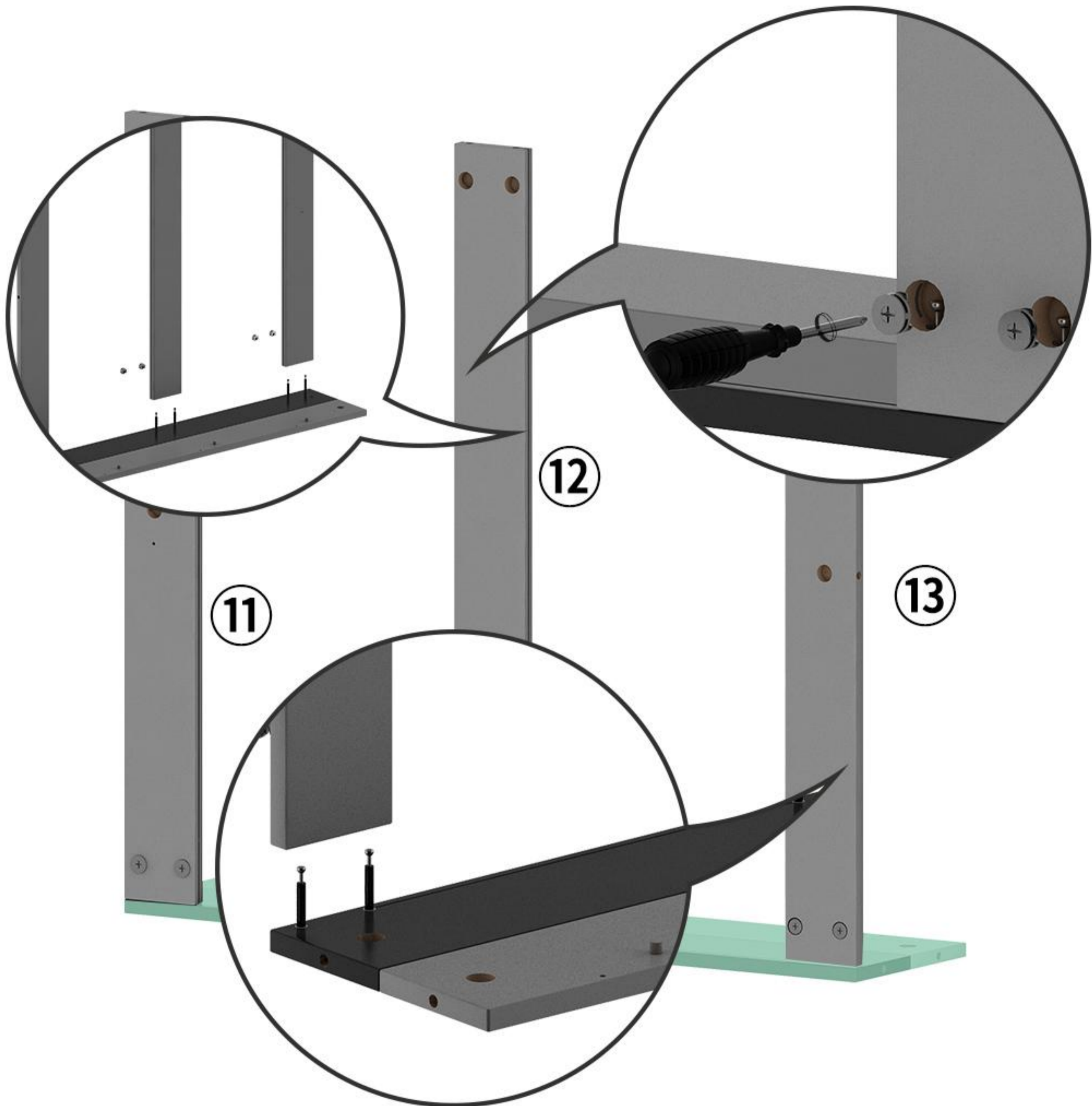


D1*5

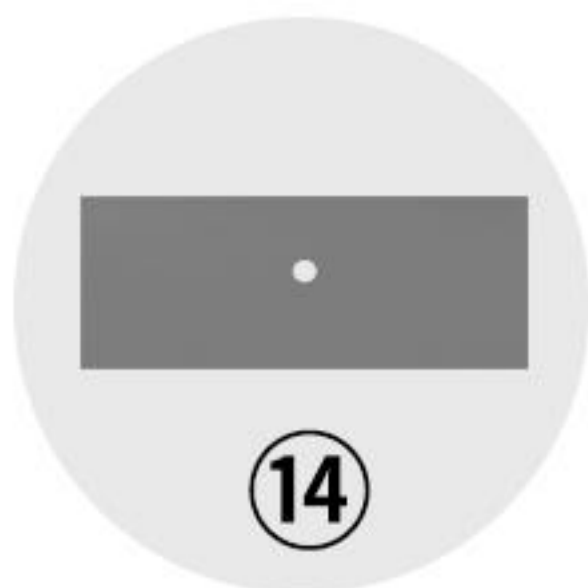
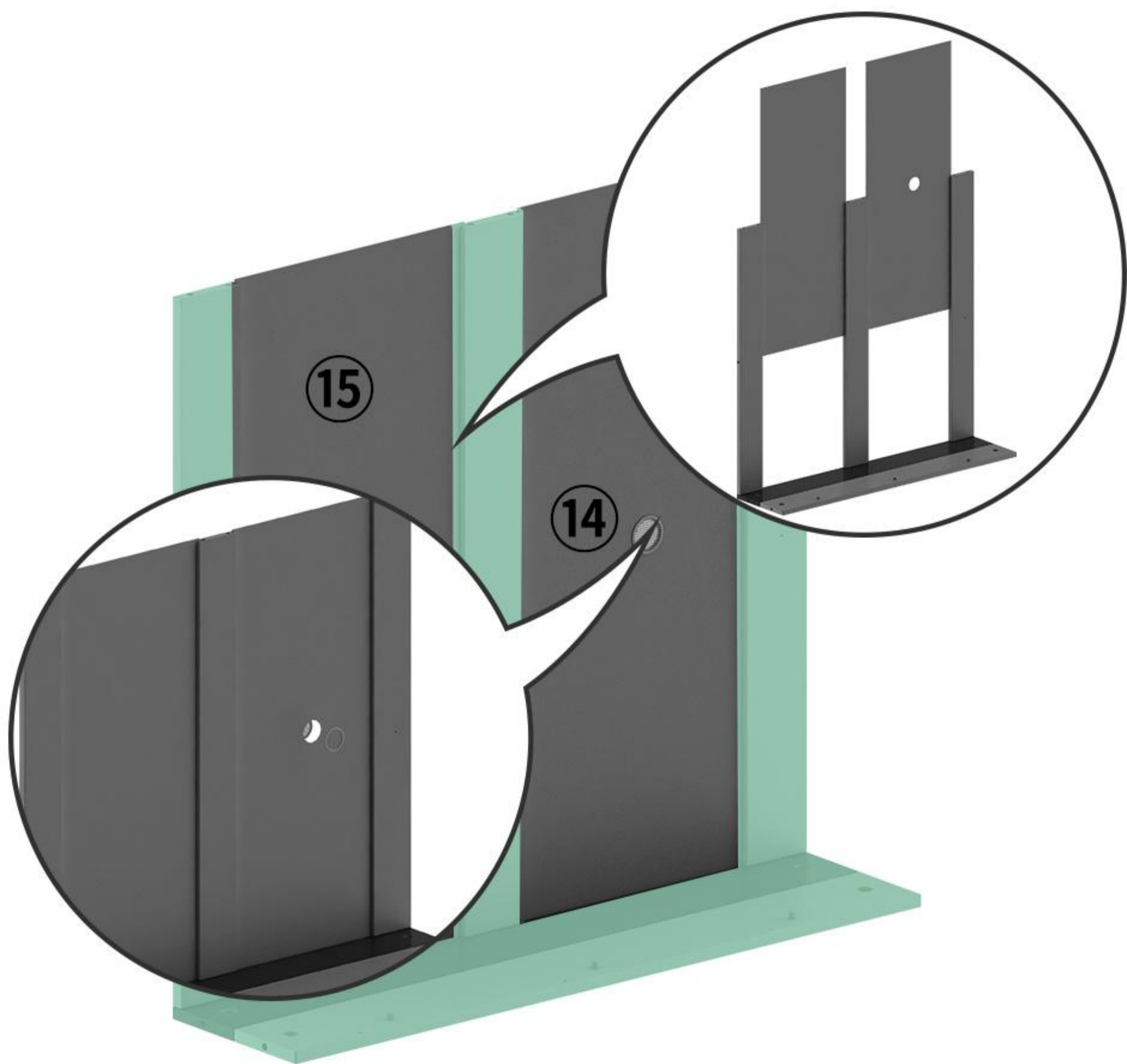


5

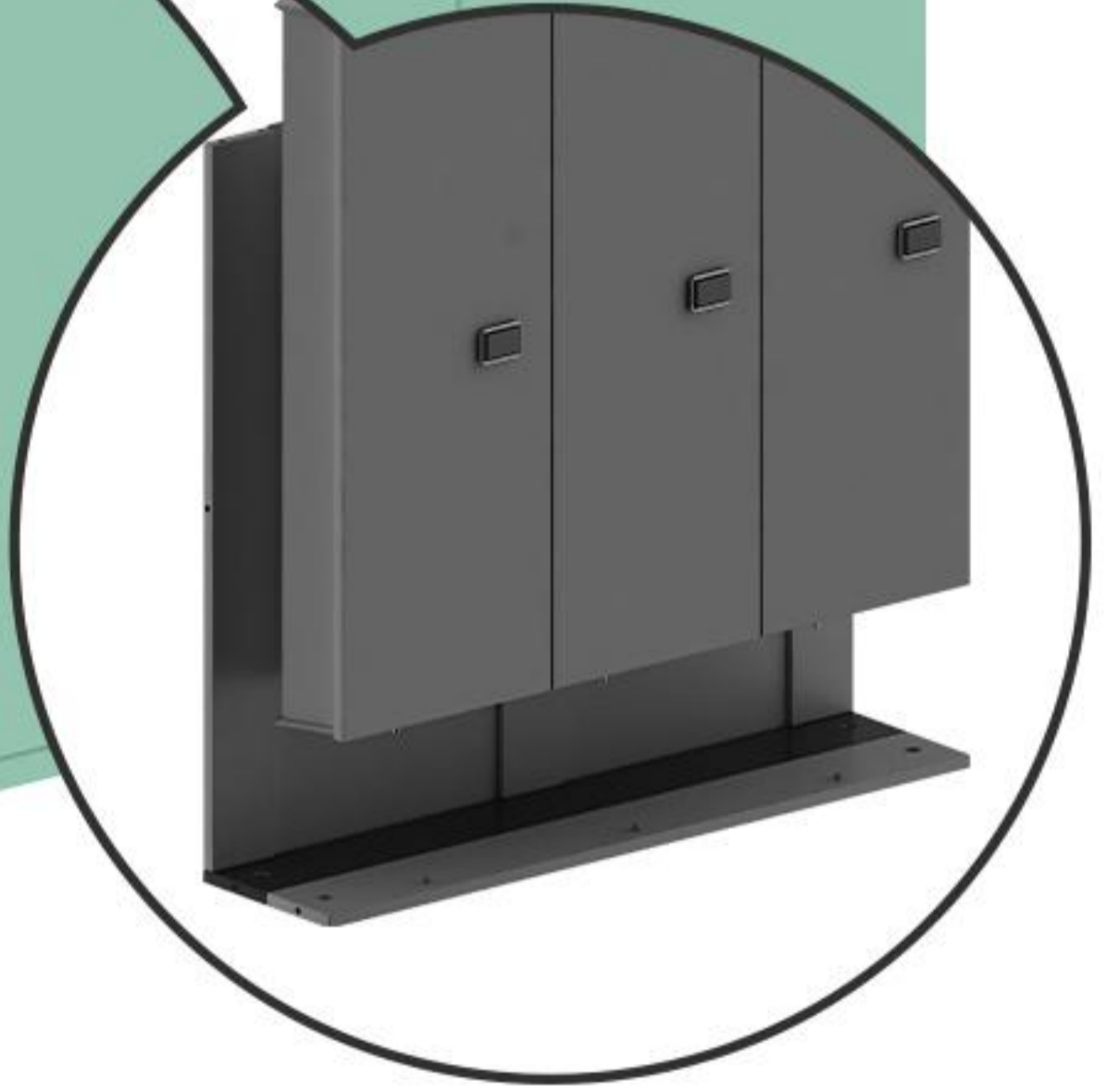
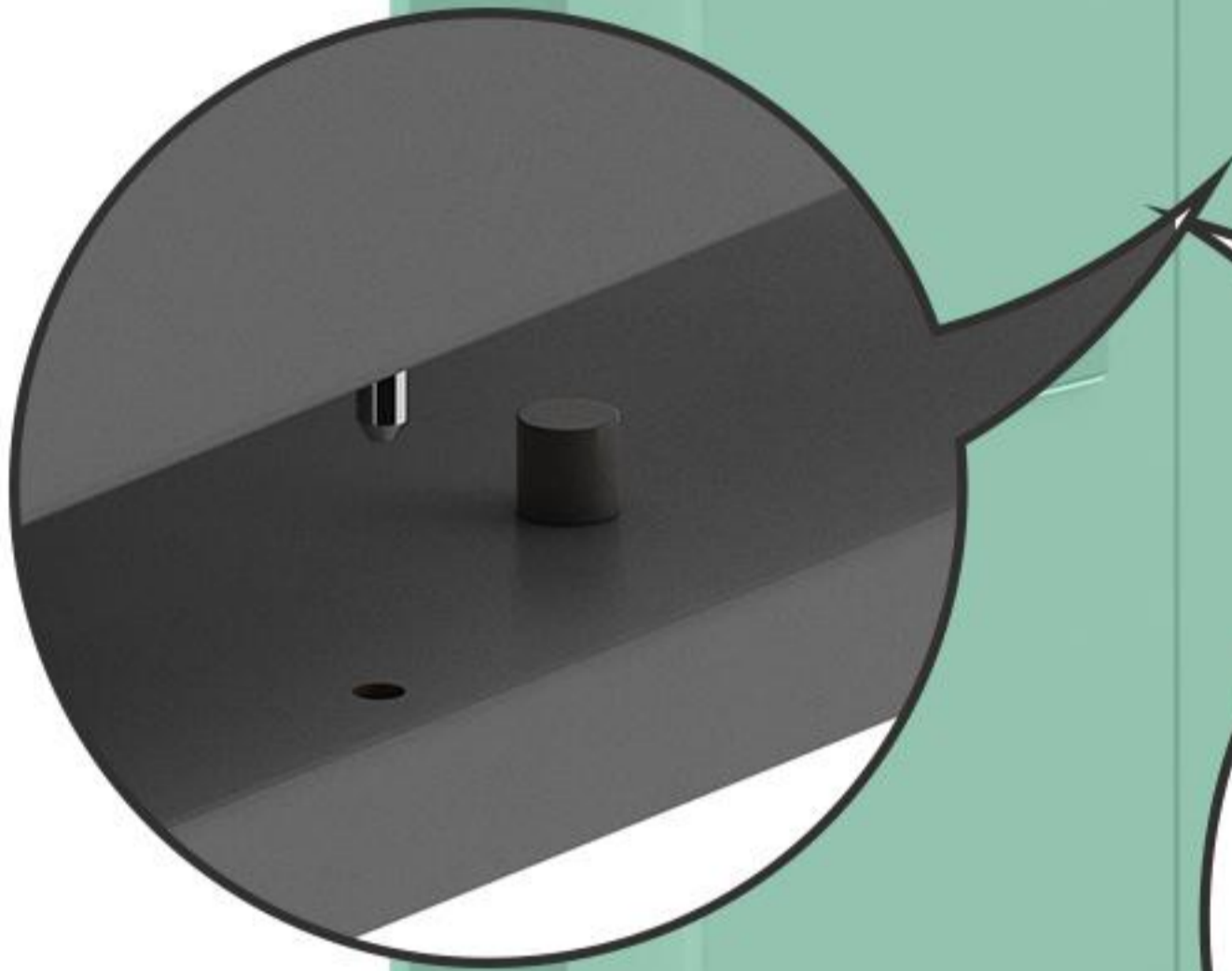
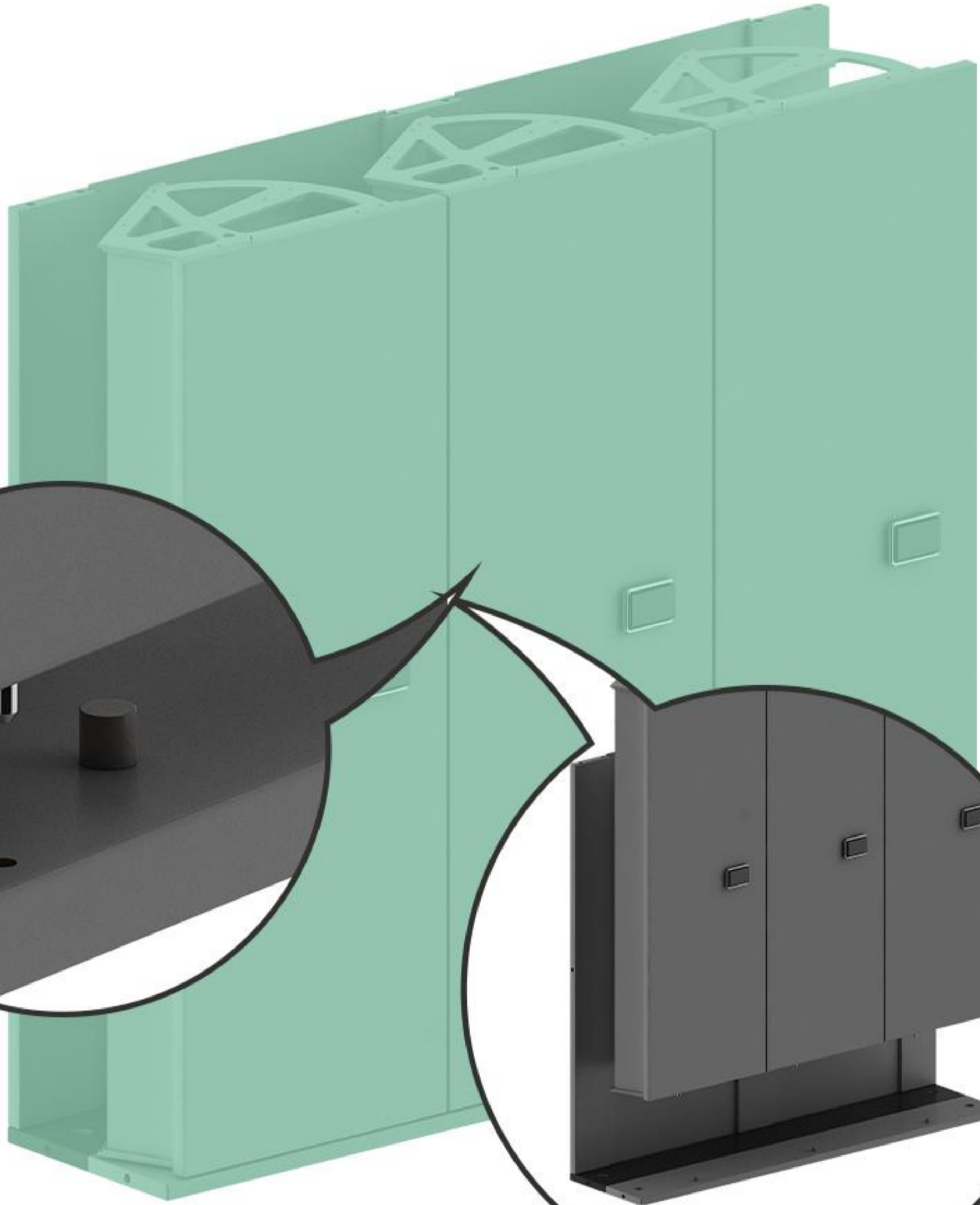
14



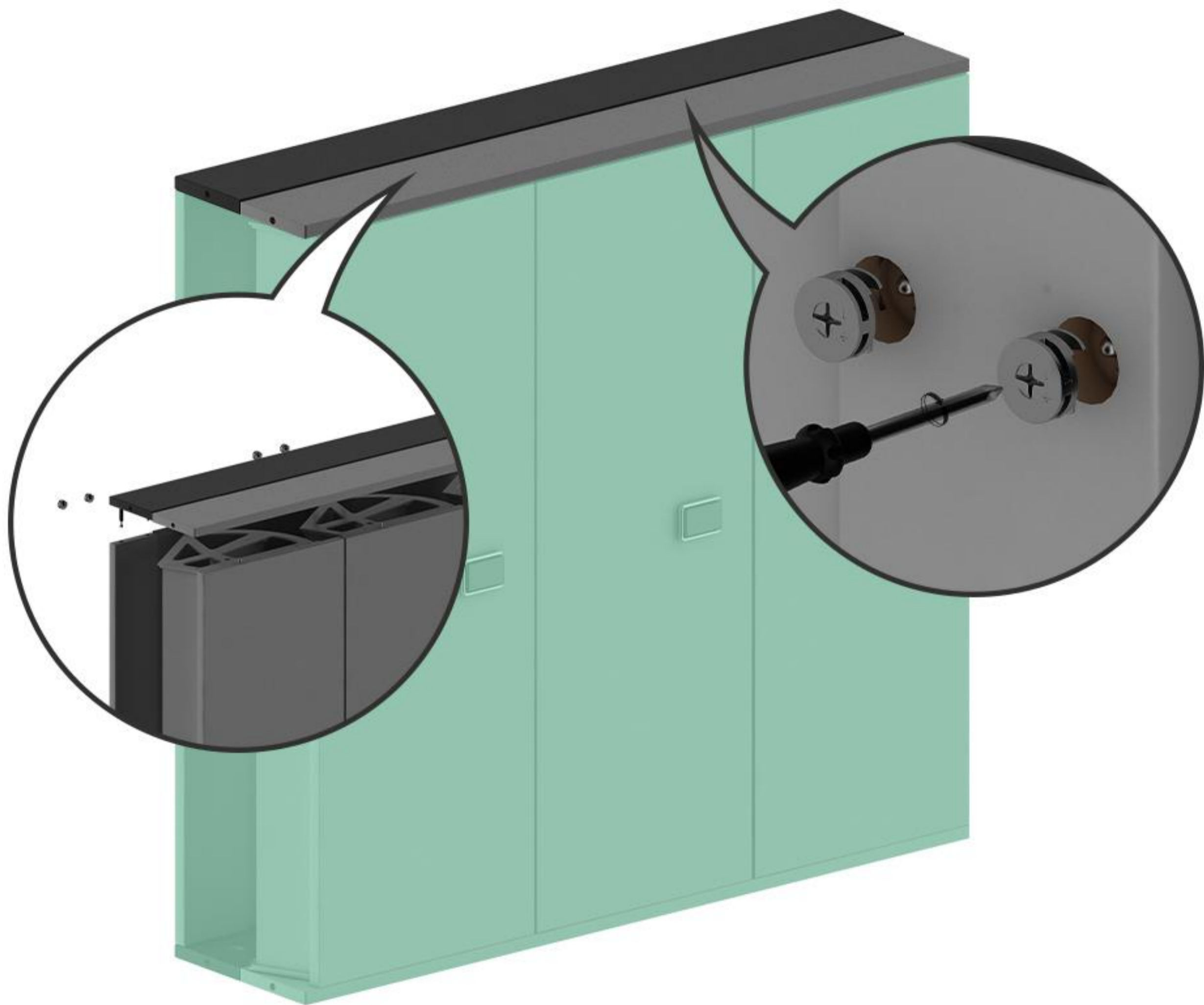
15



16

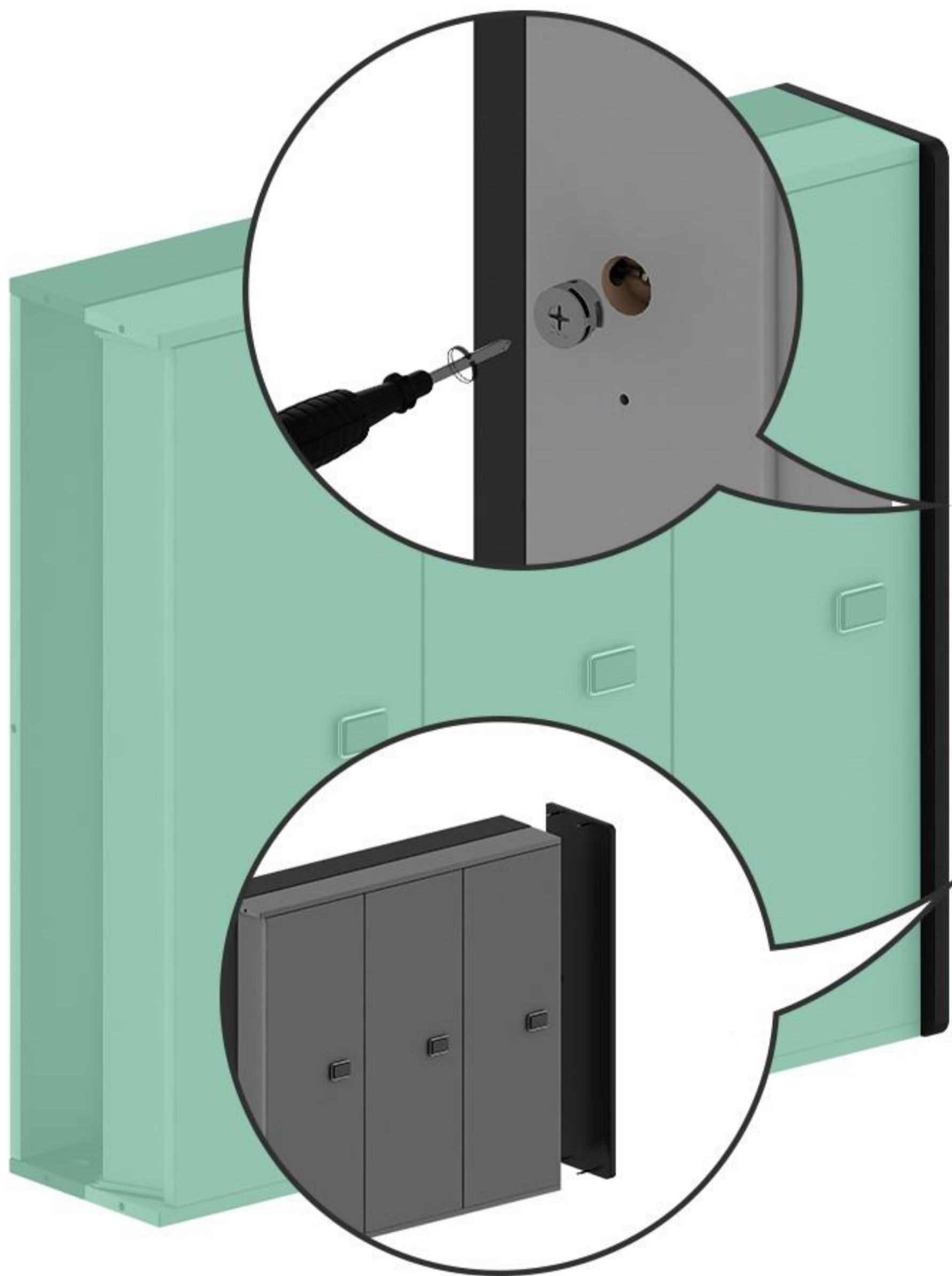


17



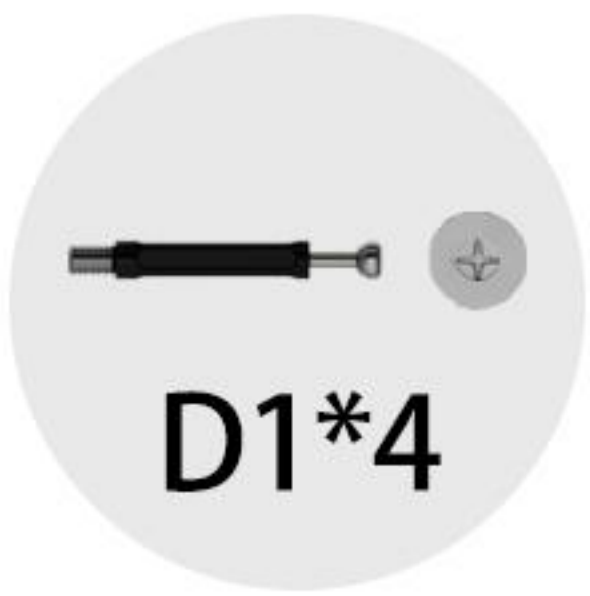
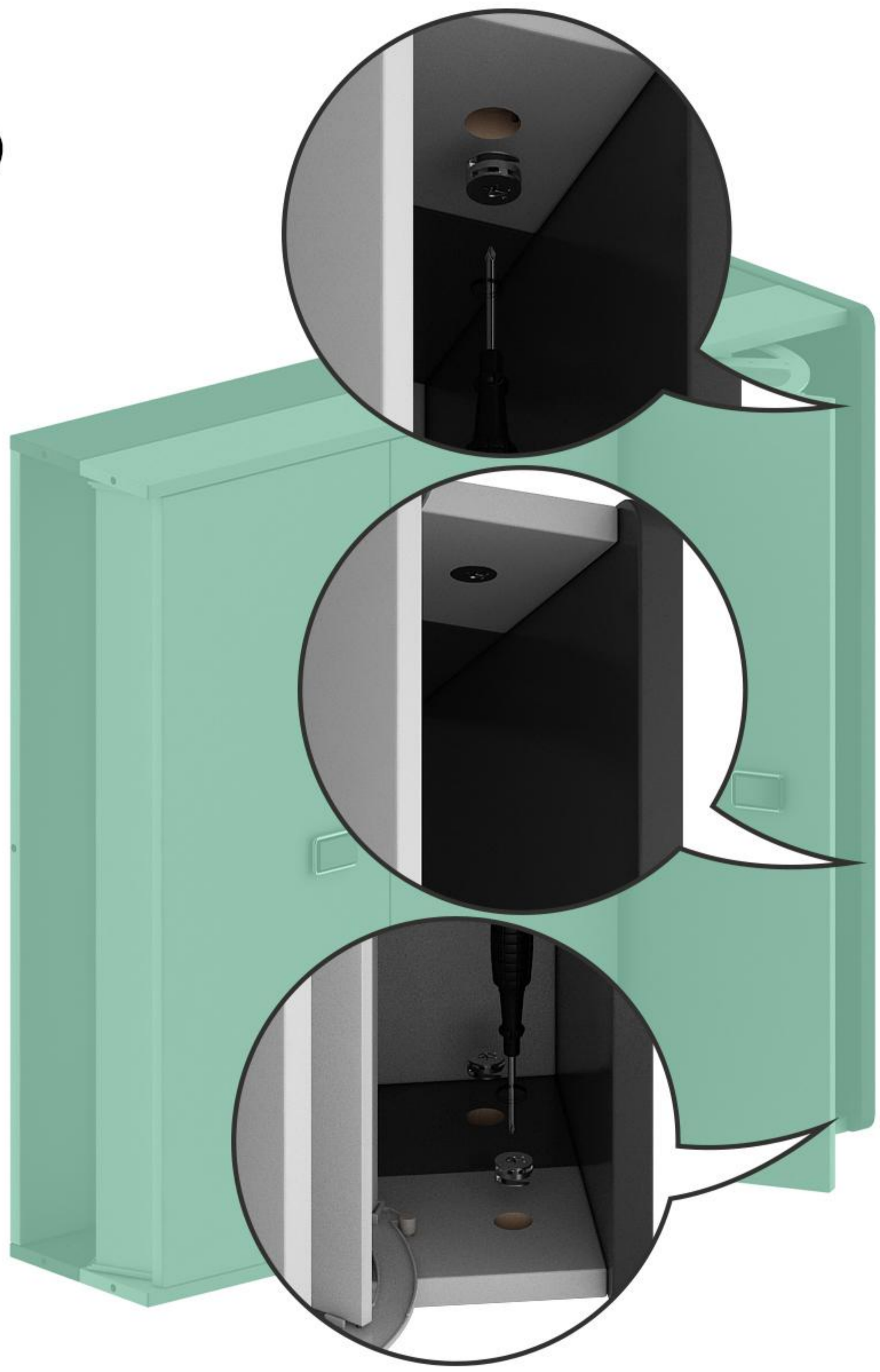
D1*6

18



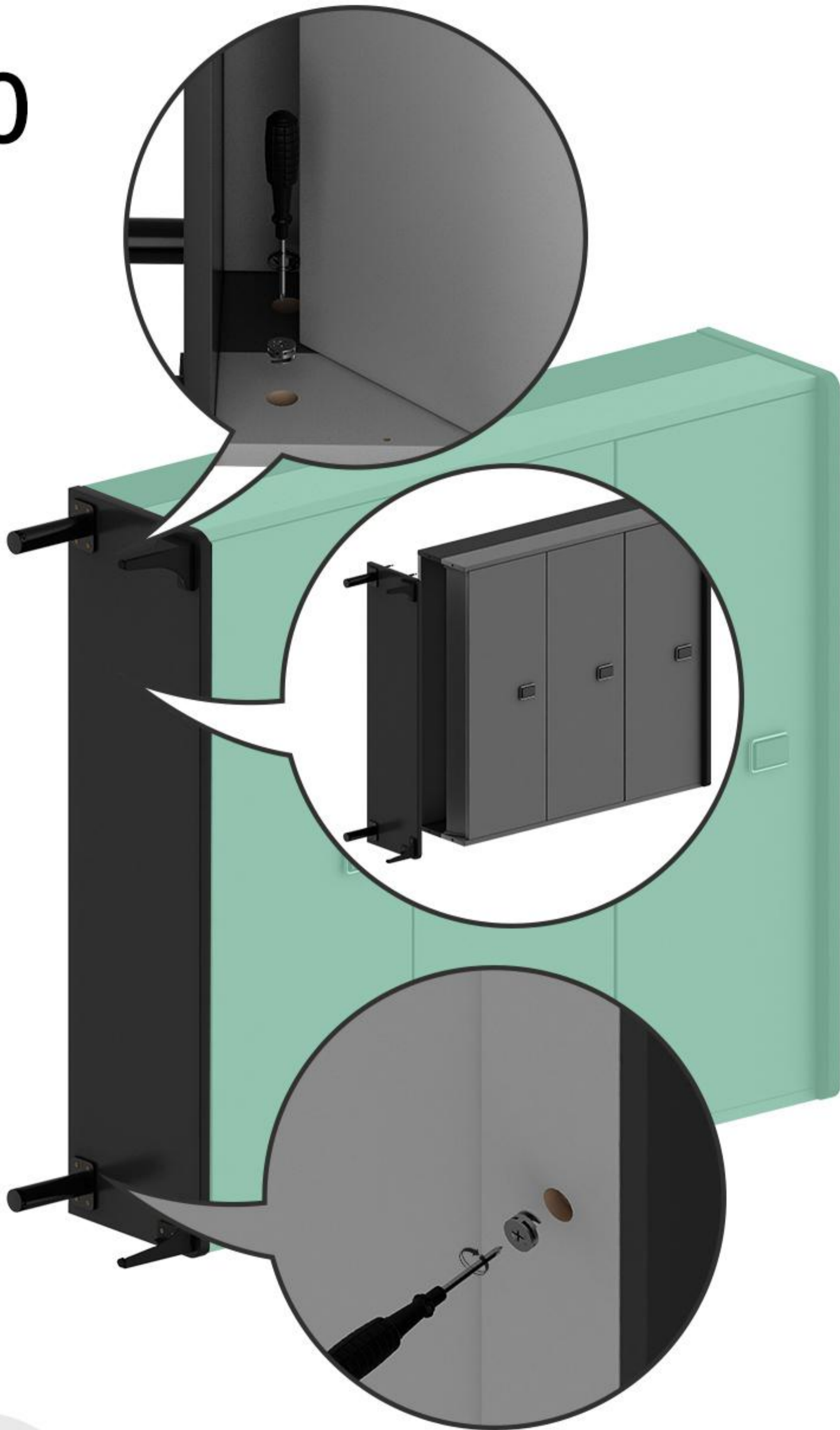
D1*1

19



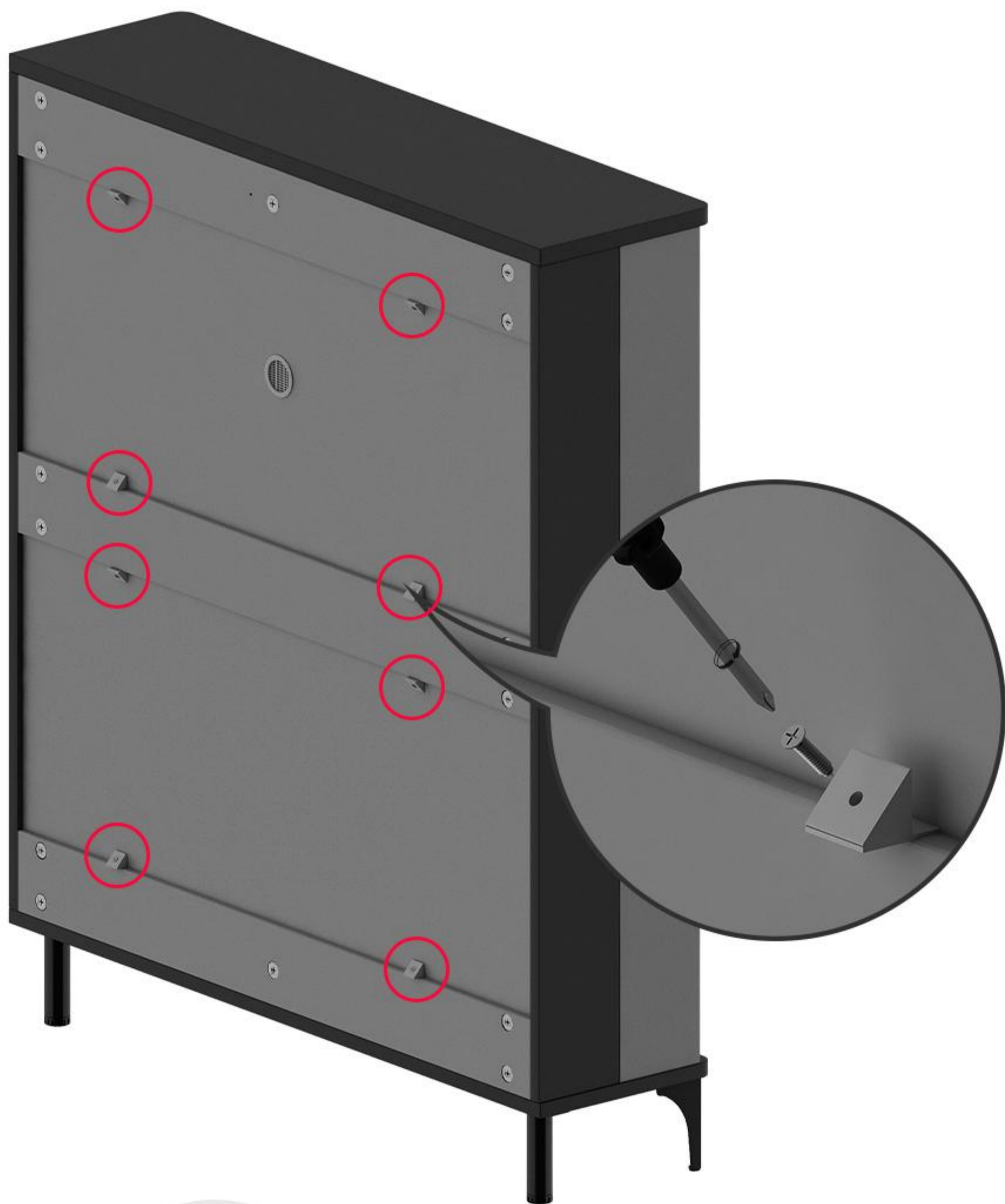
D1*4

20



D1*5

21



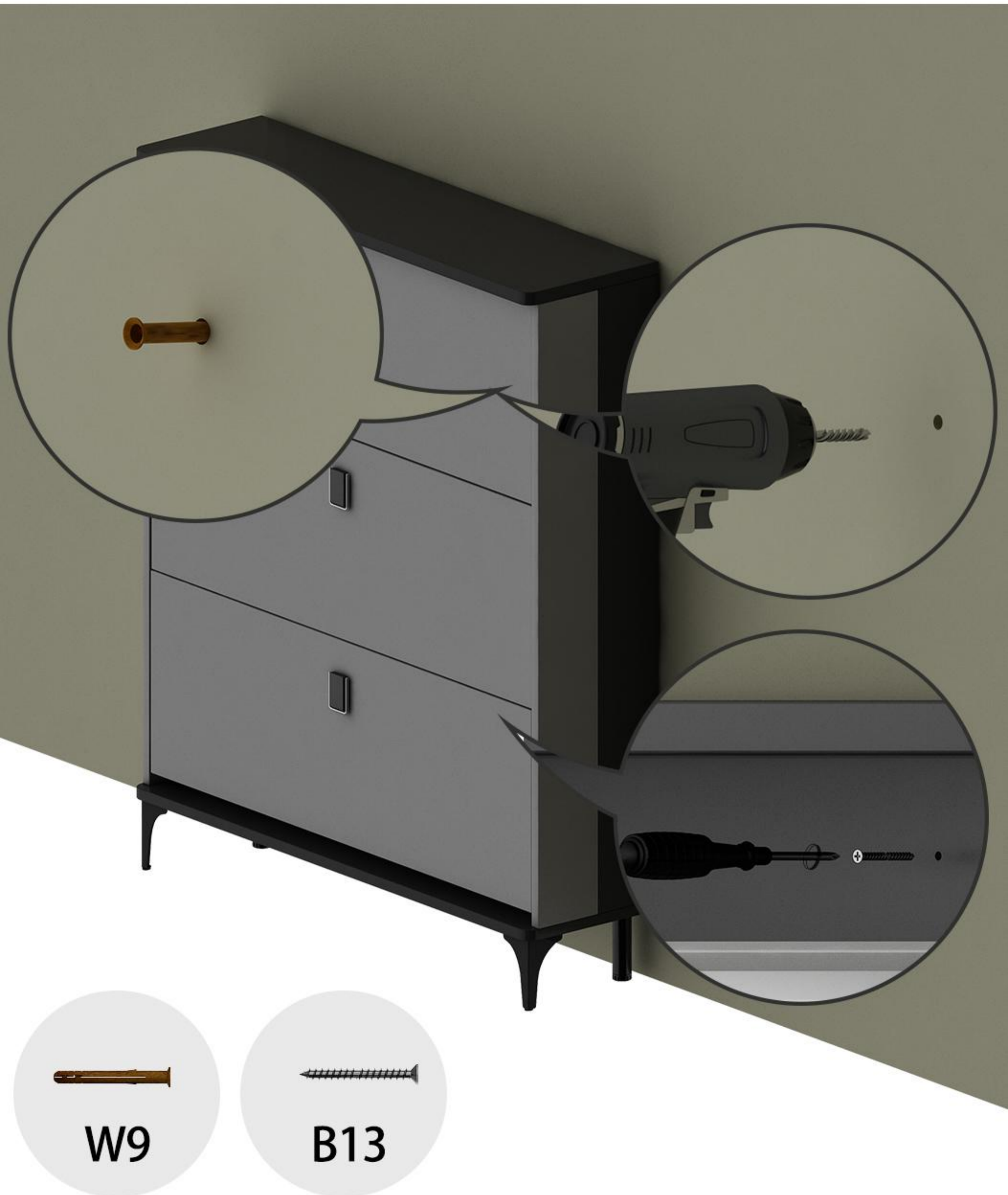
D1*8



A1*8

22

If needed, the shoe cabinet can be fixed to the wall. First, mark the positions on the wall.



23

