



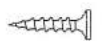




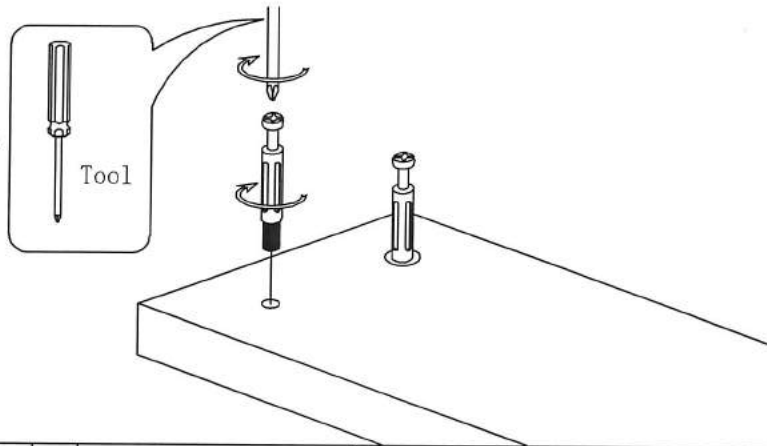


<p>A</p>  <p>92PCS</p>	<p>B</p>  <p>92PCS</p>	<p>C 8*40</p>  <p>44PCS</p>	<p>D 7*50</p>  <p>4PCS</p>	<p>E 3.5*14</p>  <p>32PCS</p>	<p>F 300mm</p>  <p>4PCS</p>	<p>G</p>  <p>4PCS</p>	<p>H</p>  <p>4PCS</p>	<p>I</p>  <p>8PCS</p>
--	--	---	--	--	---	---	---	---

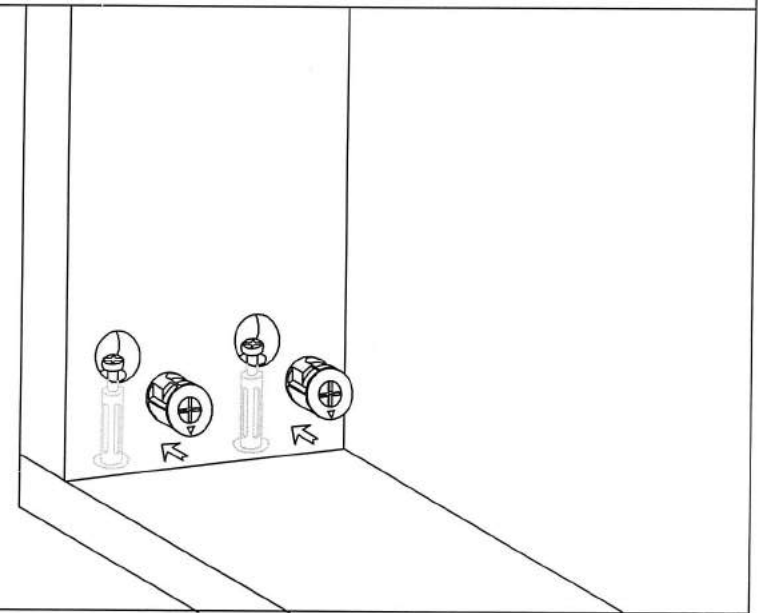
"A" Hardware installation example

I

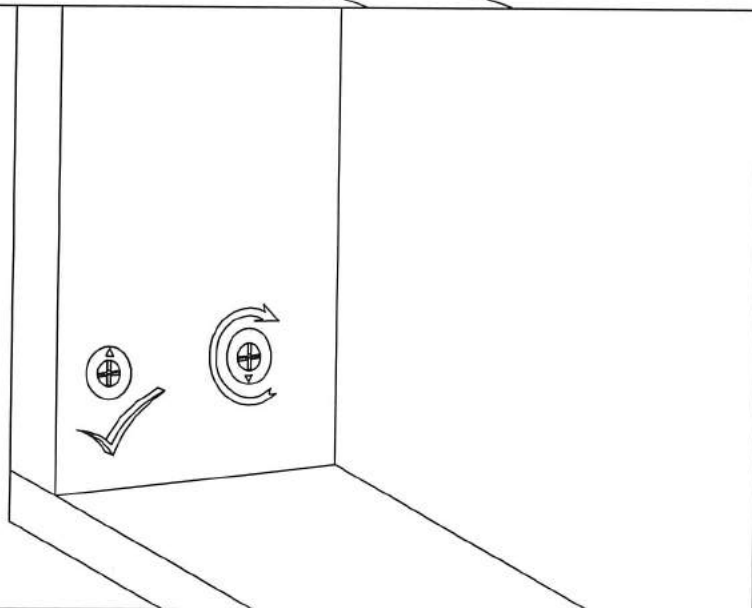
not include



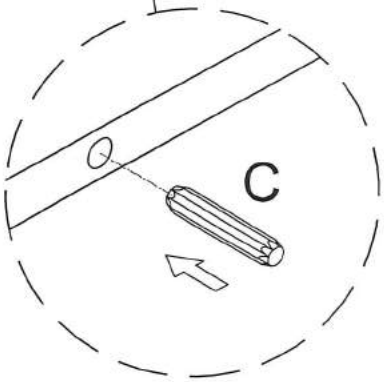
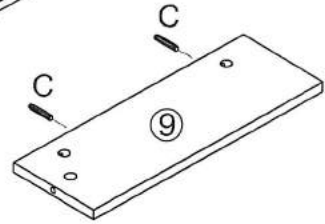
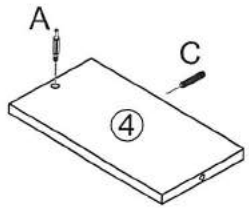
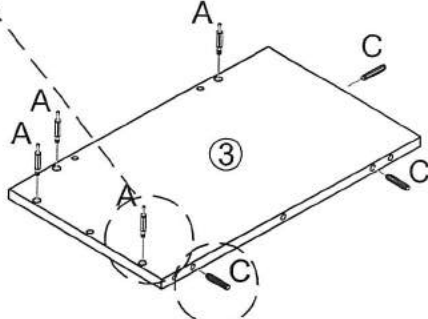
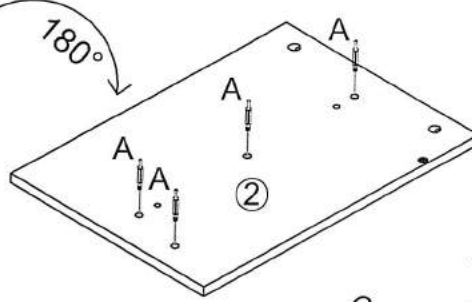
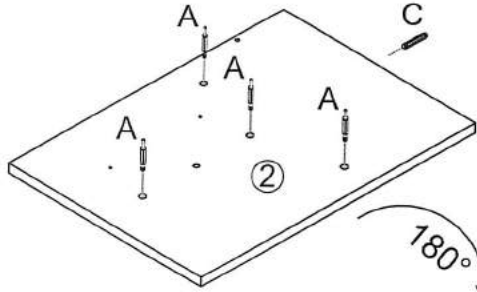
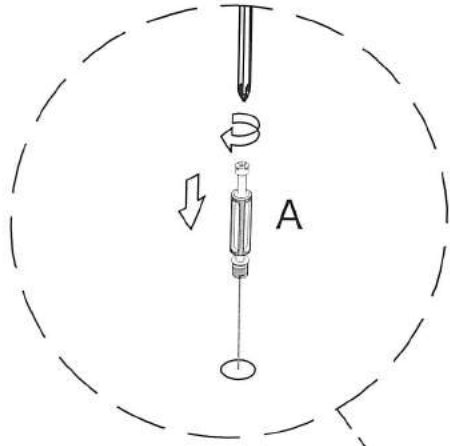
II





III



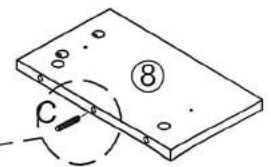
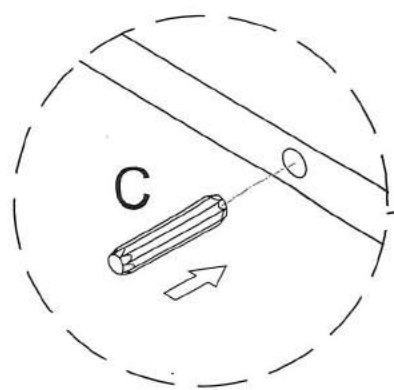
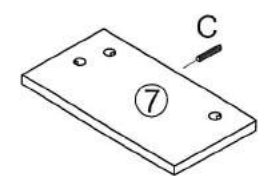
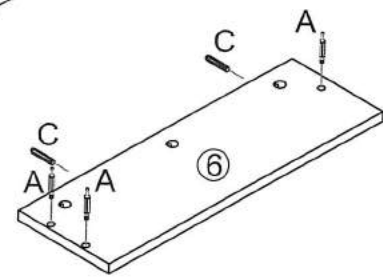
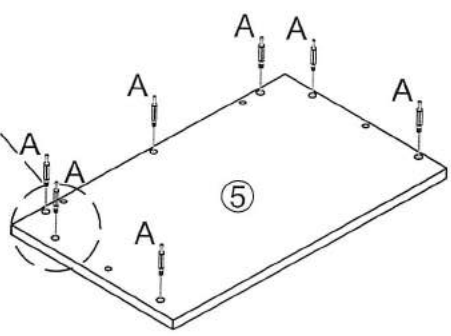
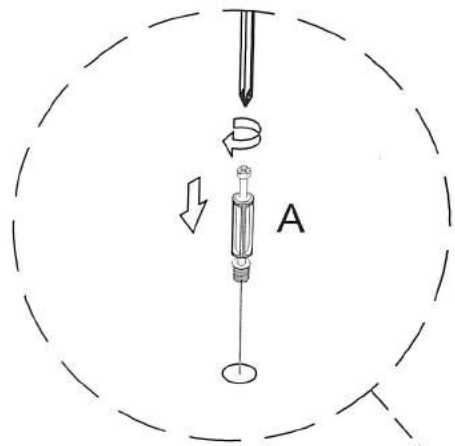
1





X4

	A*52
	C*28

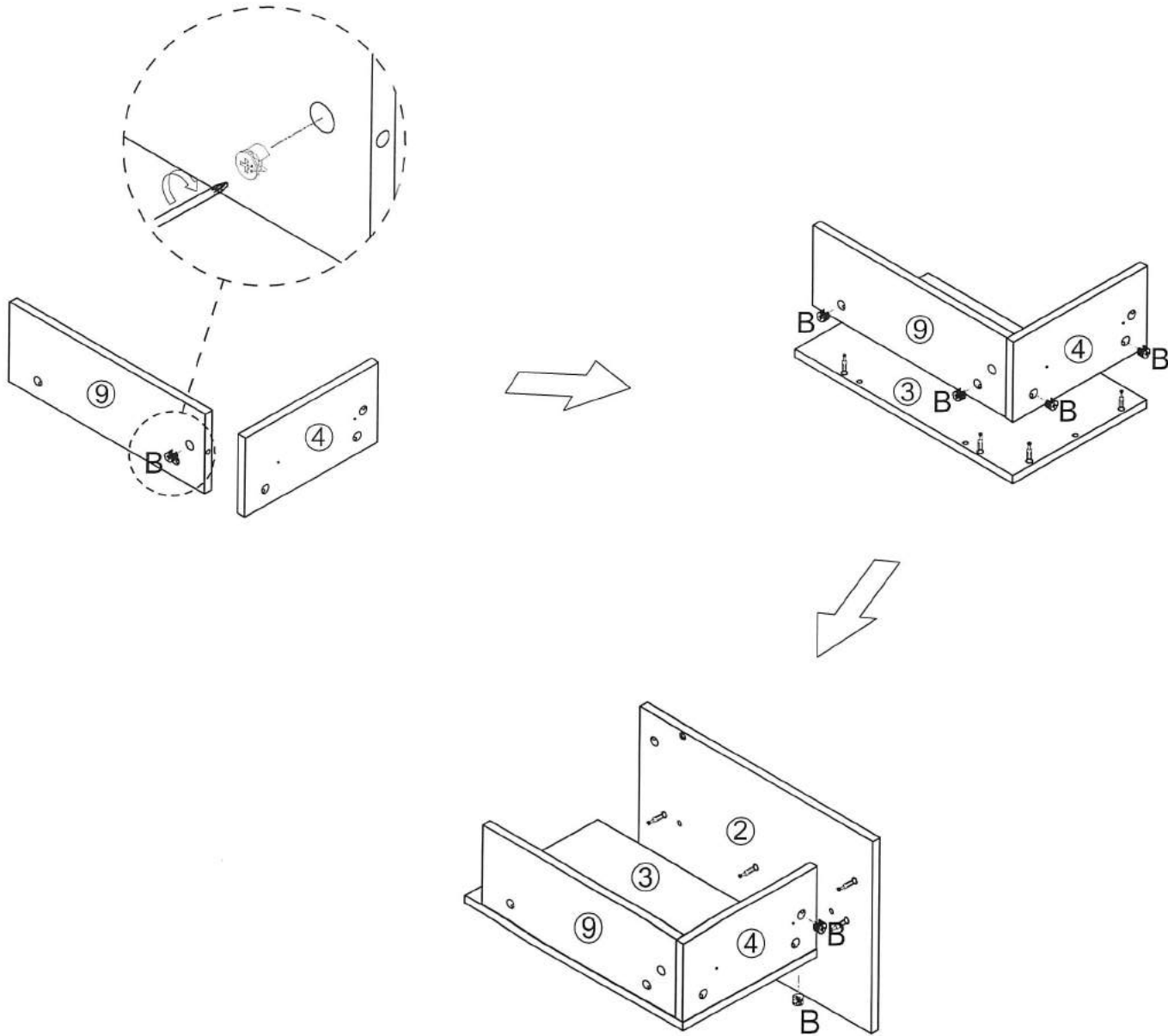
2



X4

	A*40
	C*16

3

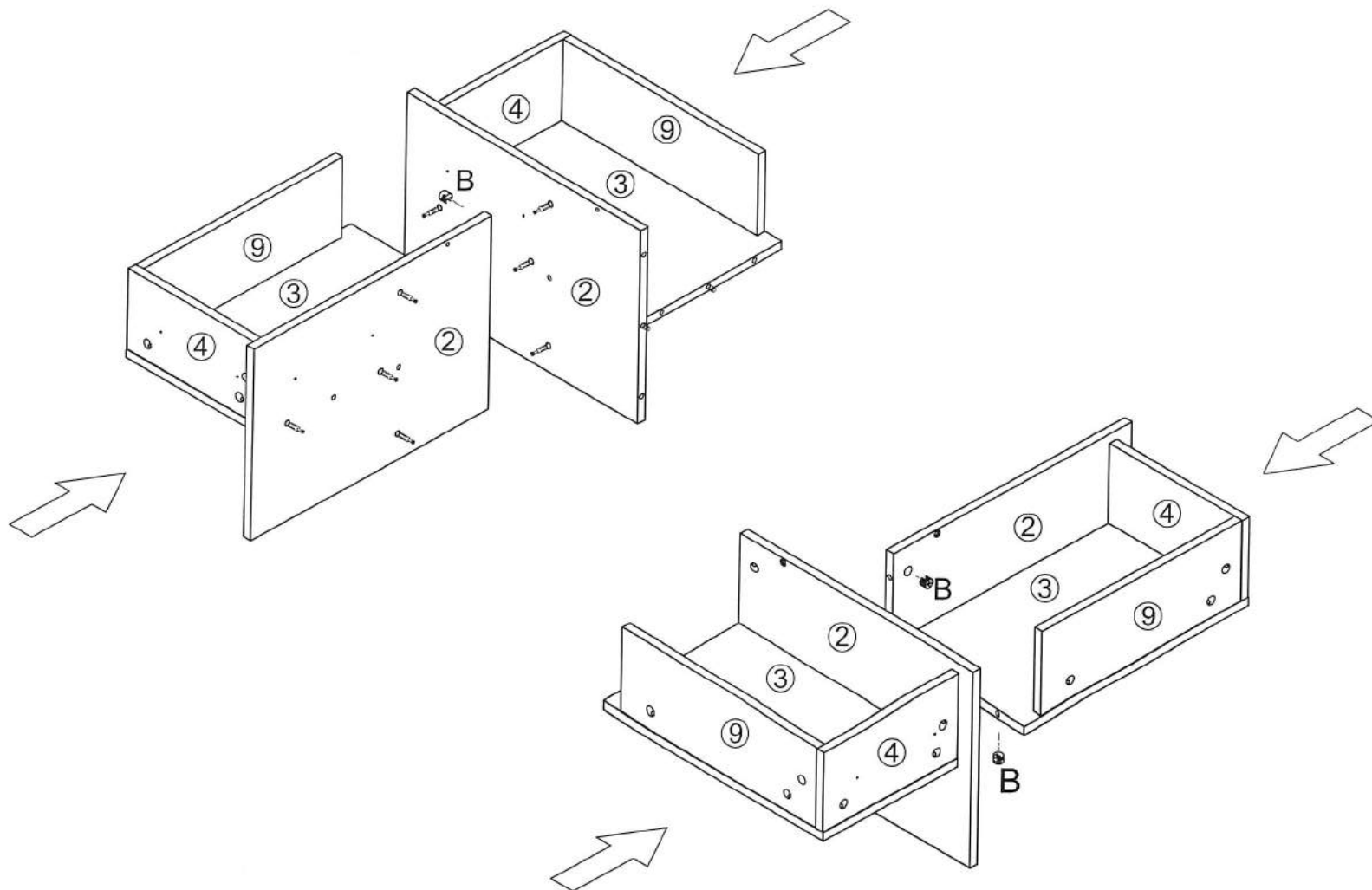


X4



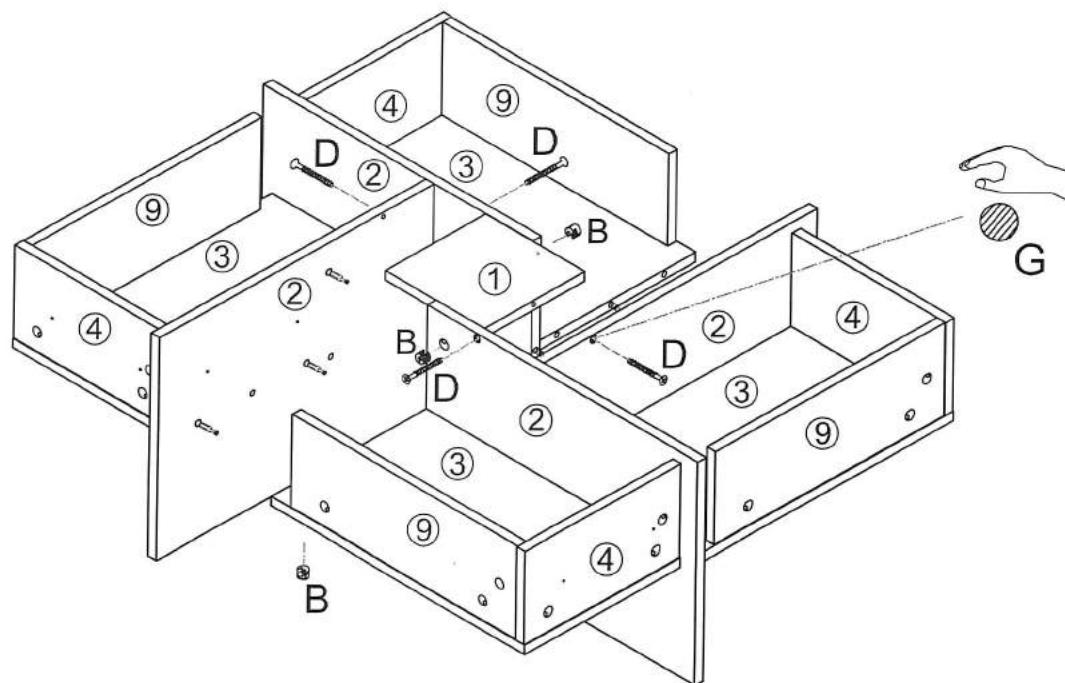
B*36

4



B*8

5



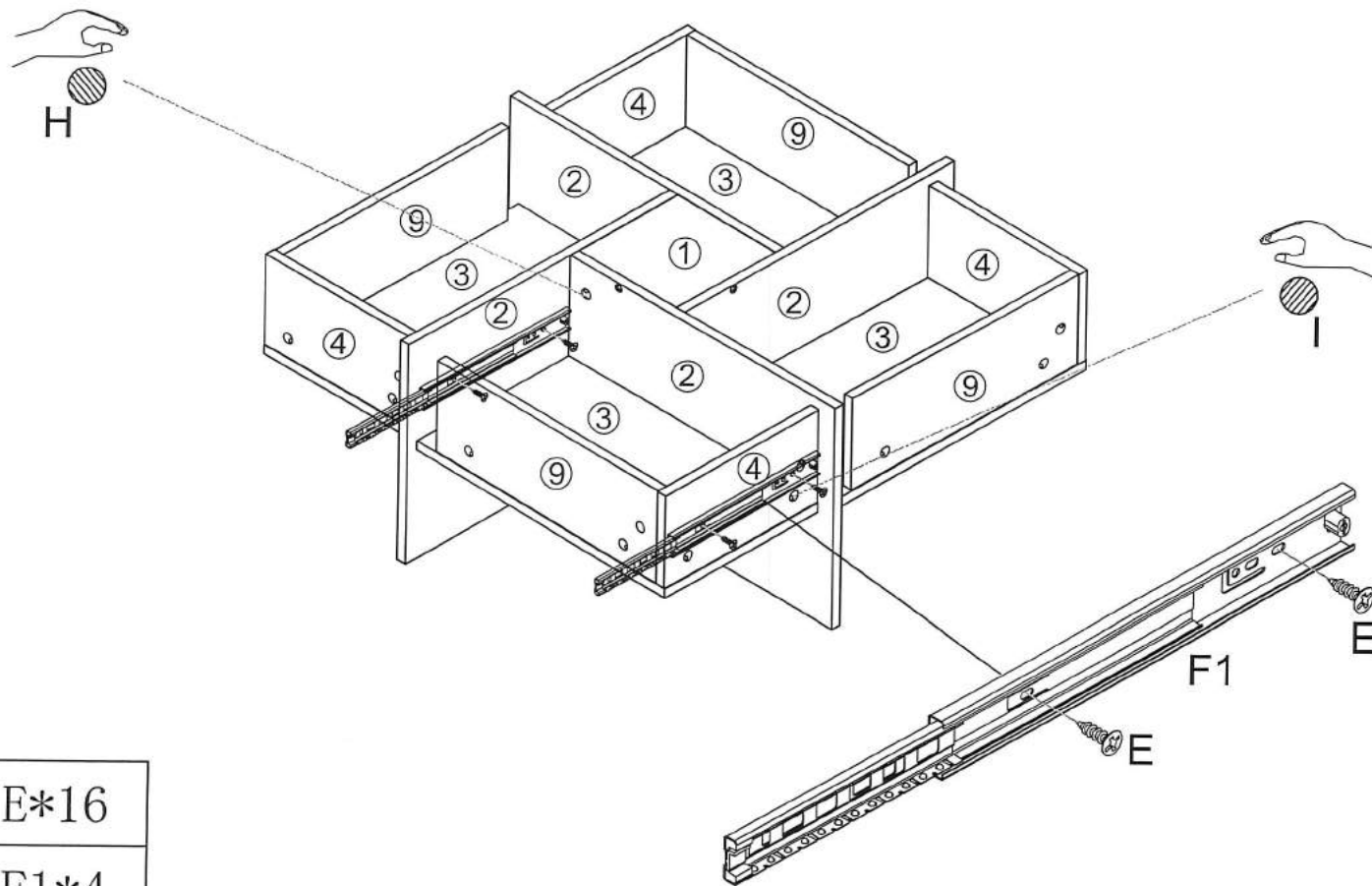
B*8

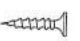





D*4

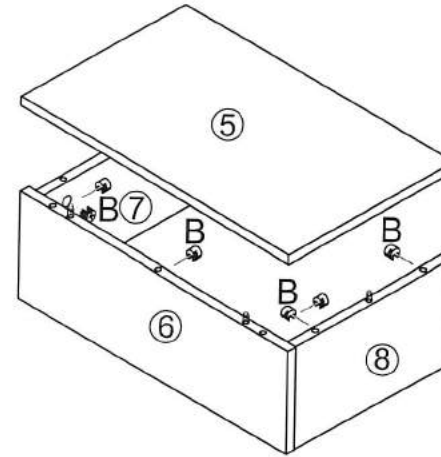
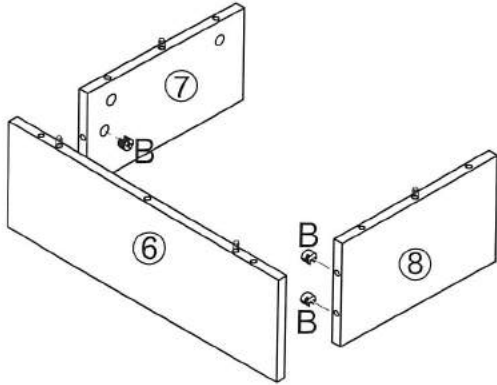


G*4



	E*16
	F1*4
	H*4
	I*8

7

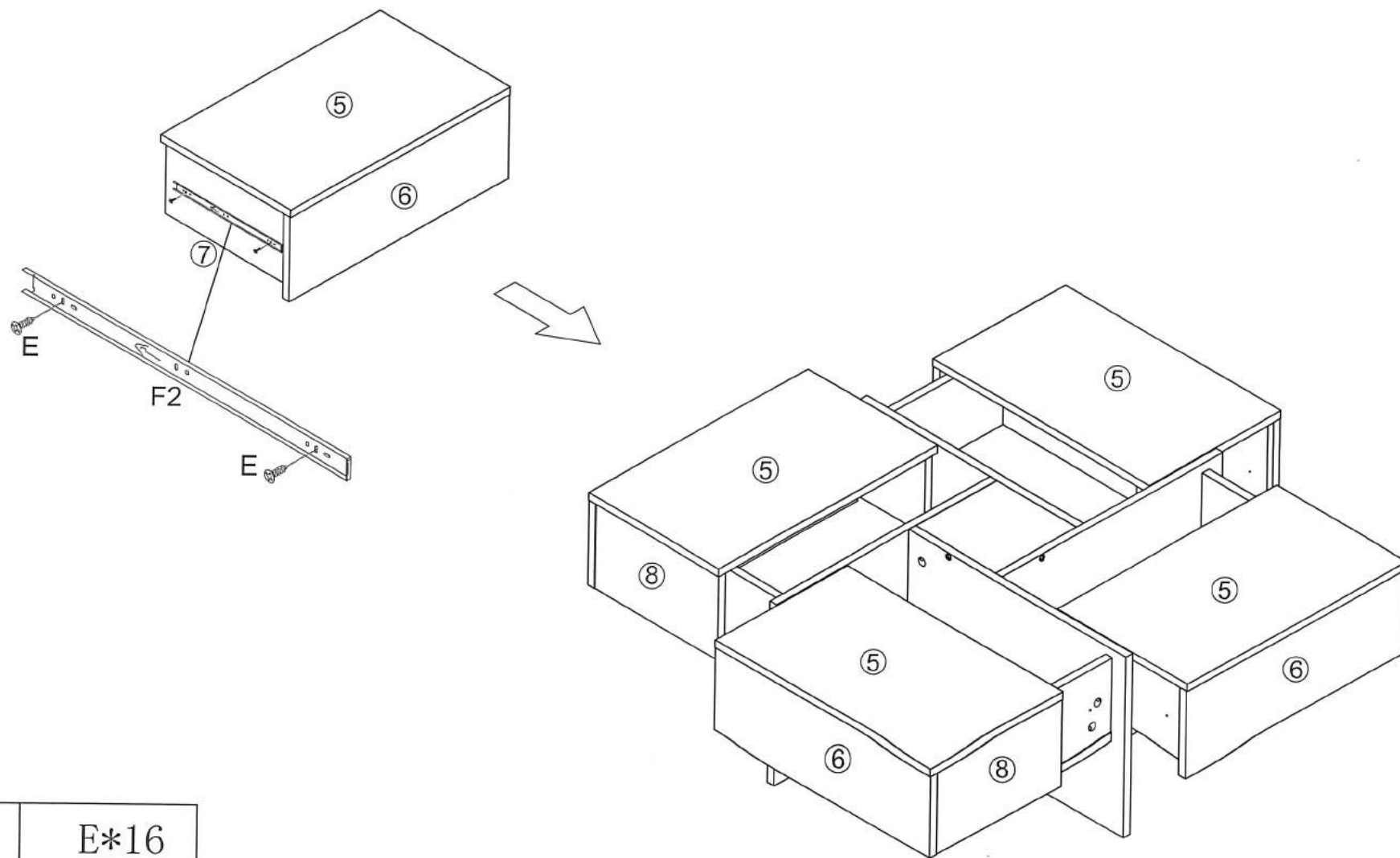


X4



B*40

X4



E*16



F2*4