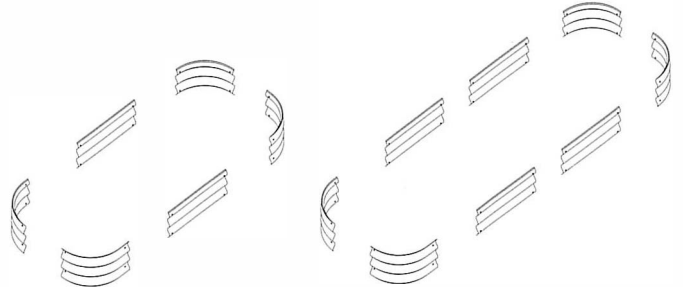


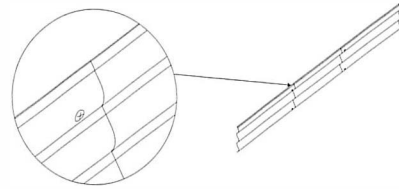
ASSEMBLY GUIDE

Caution: Metal panels have sharp edges and may cause injury. Using protective gear (gloves, closed toed shoes, etc.) is recommended.

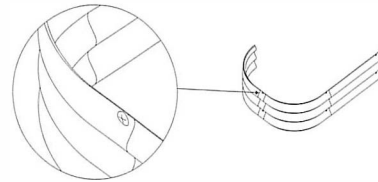
1. Lay in desired configuration on a flat surface (Be mindful that paint may scratch if laid on rough surfaces).



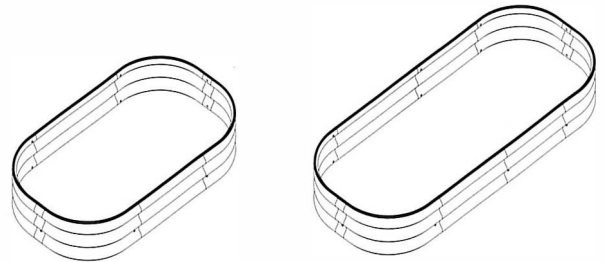
2. Loosely, assemble all straight panels with the bolt, washer and nut. Use the hand wrench to tighten.



3. Attach corner panels on the outside of the straight panels and tighten all nuts.

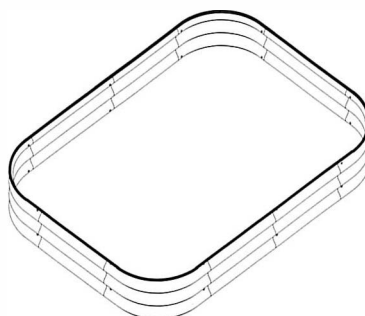


4. Push on rubber edging to the top edge of the box and cut off remainder.

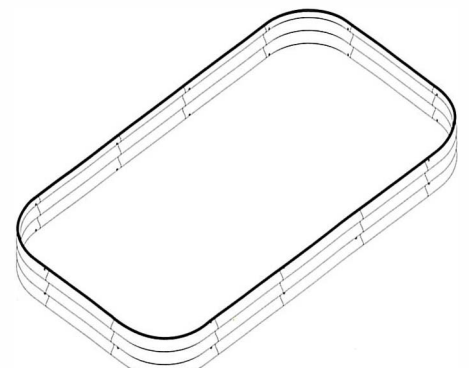


8" 2in1

8" 4in1

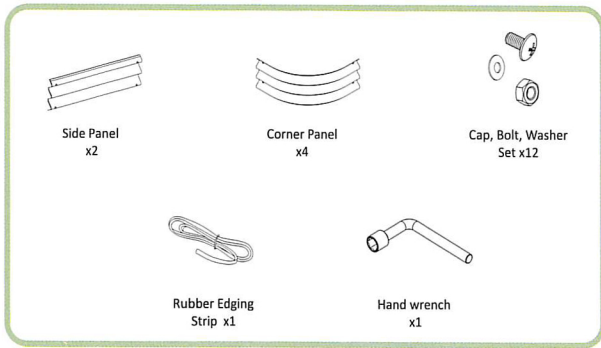


8" 6in1

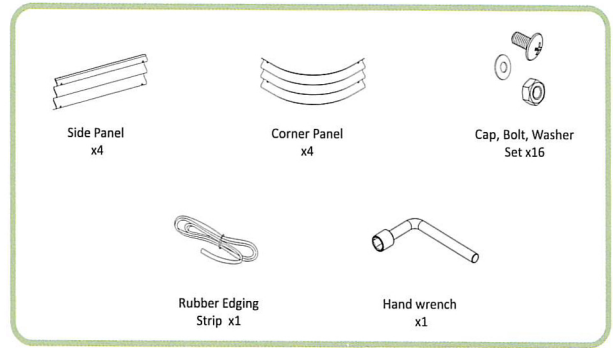


8" 9in1

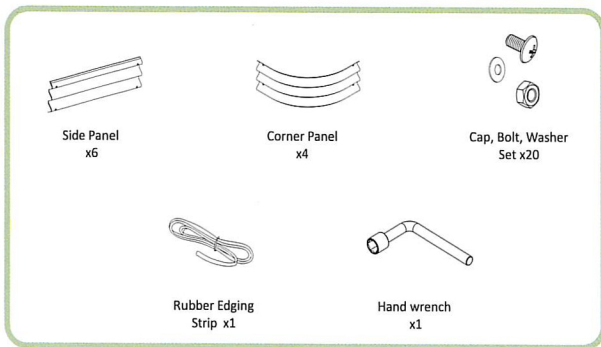
CONTENTS



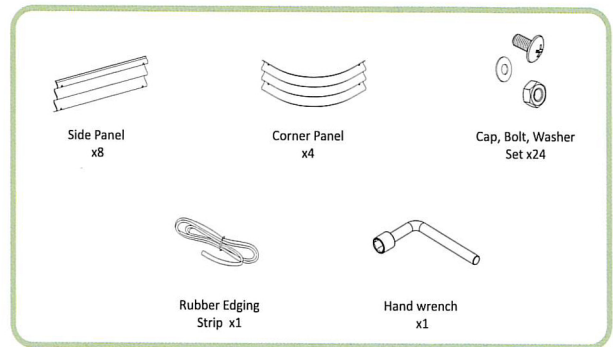
8" 2in1(V8 V9)



8" 4in1(V6 V7 V8 V9)



8" 6in1(V4 V5 V6 V7 V8 V9)



8" 9in1(V1 V2 V3 V4 V5 V6 V7 V8 V9)

CONFIGURATION

(V2)
8ft X 2ft
12 pieces

(V4)
6.5ft X 2ft
10 pieces

(V7)
5ft X 2ft
8 pieces

(V5)
5ft X 3.5ft
10 pieces

(V1)
6.5ft X 3.5ft
12 pieces

(V9)
2ft X 2ft
4 pieces

(V8)
3.5ft X 2ft
6 pieces

(V6)
3.5ft X 3.5ft
8 pieces

(V3)
5ft X 5ft
12 pieces

Configuration	Cubic Yards
V1	0.53
V2	0.37
V3	0.58
V4	0.30
V5	0.40
V6	0.28
V7	0.22
V8	0.15
V9	0.08