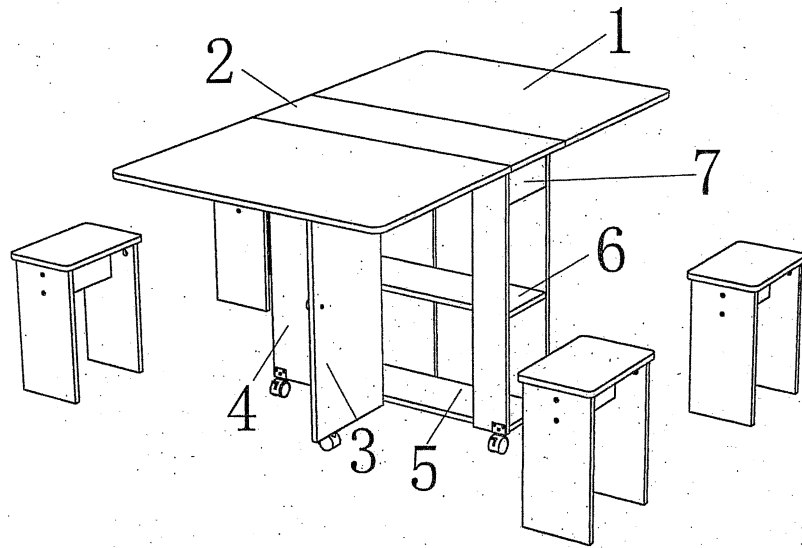


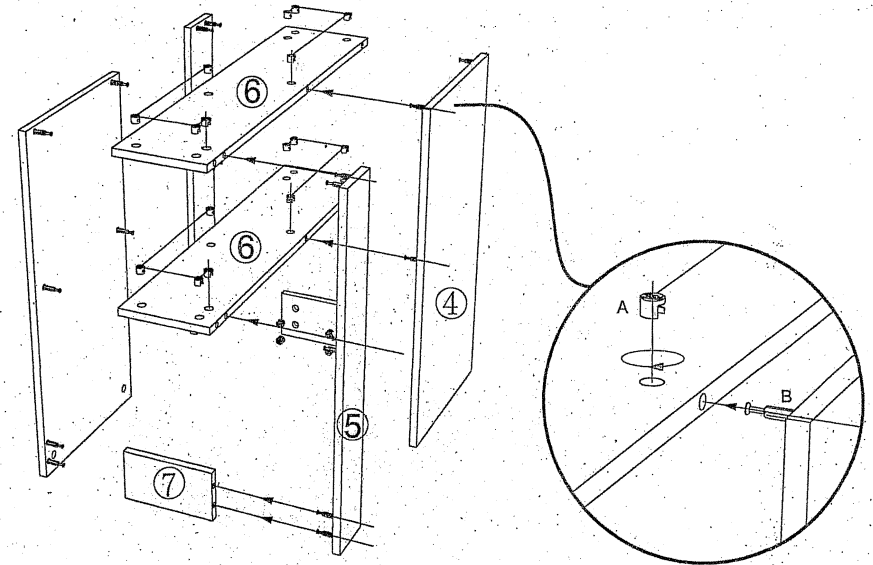
# Portable folding table+Stool

(two-man job)

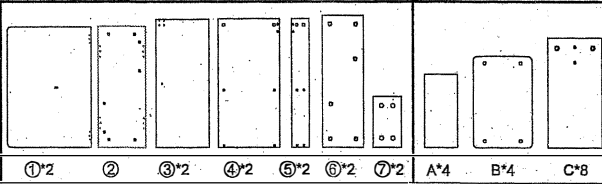
(NO: CZ02)



① As shown in the picture: The whole table turned over, the table upside down, easy to install. Find the corresponding board according to the number on the drawing.

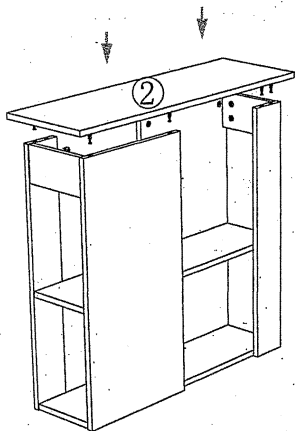


A. Wheels 48pcs	B. Screw Rod 48pcs	C. Pulling wire 2pcs	D. Cardan wheel 8pcs	E. Hinge 8pcs
F. Hold hands 2pcs	G. Spring Latch 2pcs	H. Small self-tapping 76pcs	I. Damp-proof mat 10pcs	J. Self-tapping 16pcs



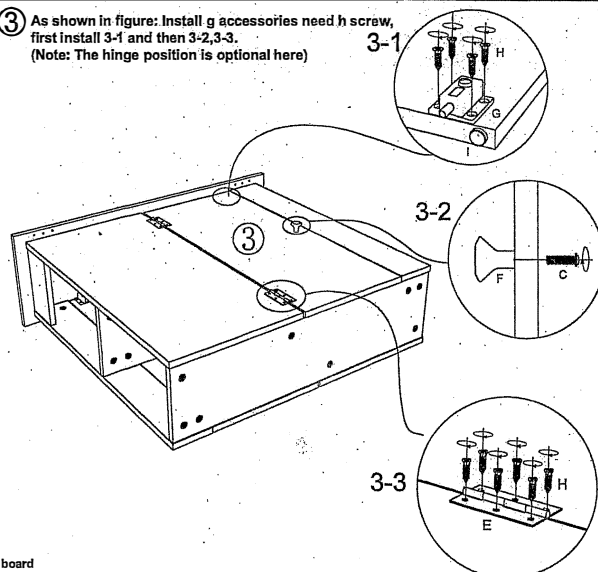
The digit number here corresponds to the digit number on the board

② As shown in the picture: Install the No. 2 board and turn the table upside down.

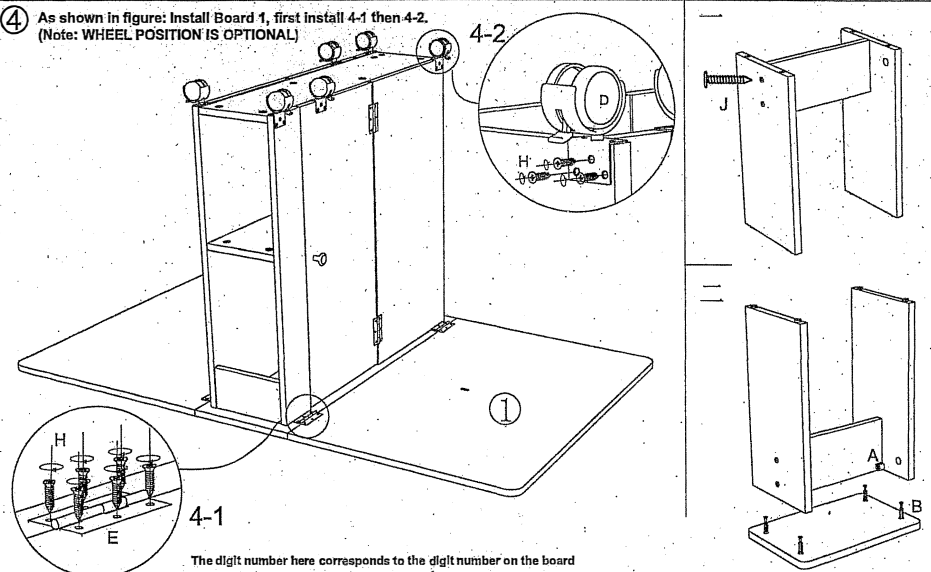


The digit number here corresponds to the digit number on the board

③ As shown in figure: Install g accessories need h screw, first install 3-1 and then 3-2,3-3.  
(Note: The hinge position is optional here)



④ As shown in figure: Install Board 1, first install 4-1 then 4-2.  
(Note: WHEEL POSITION IS OPTIONAL)



The digit number here corresponds to the digit number on the board