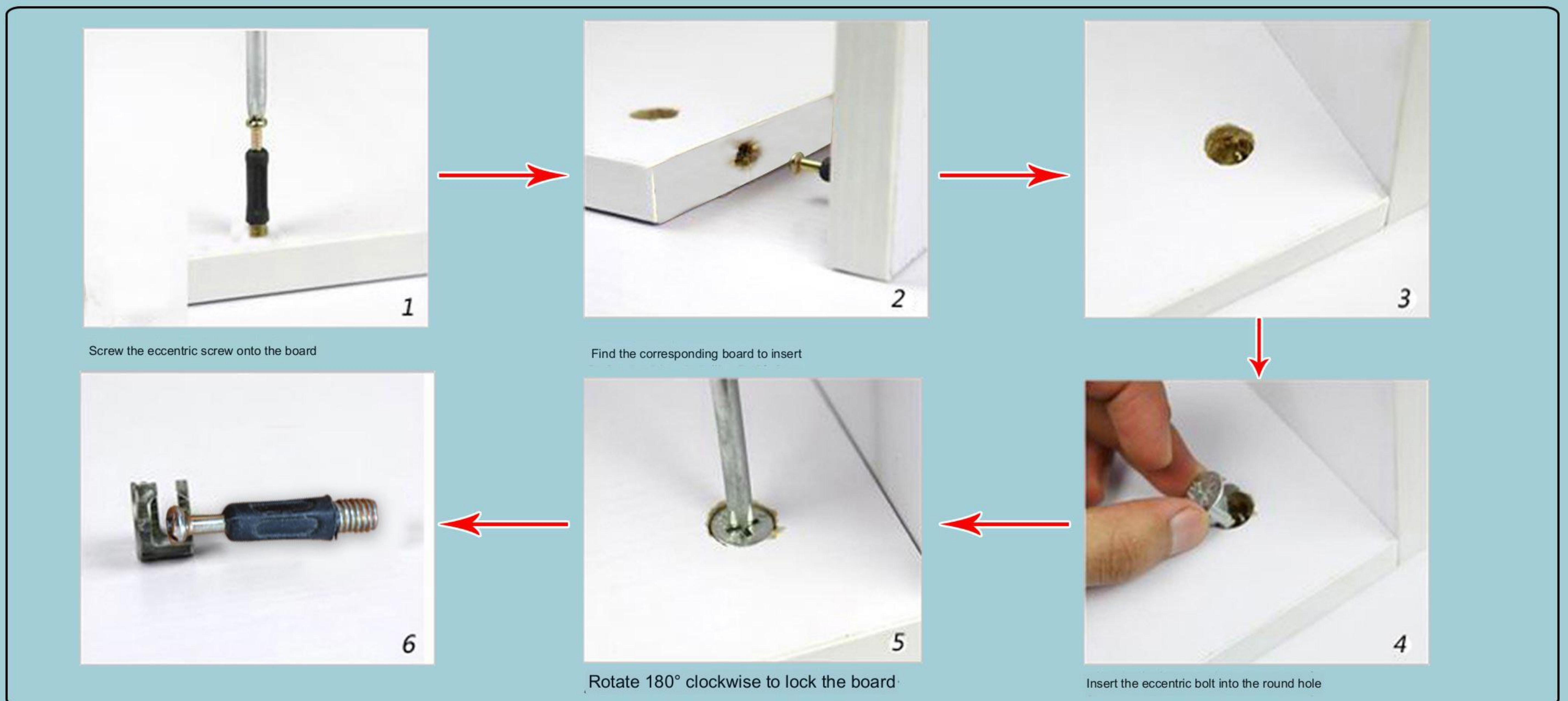


# CC021 120CM Installation Instruction

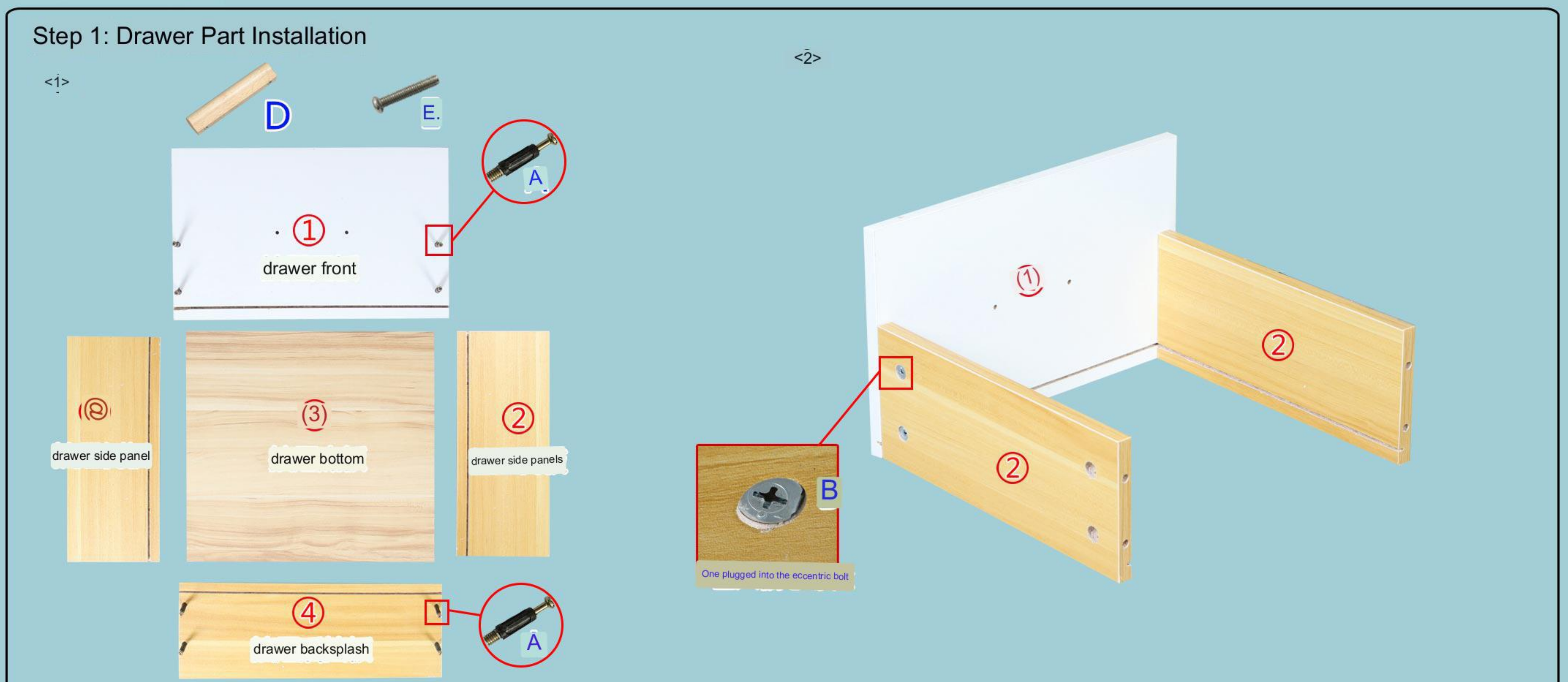
A*48	B*48	C*74	D*5	E*10	F*5	G*11	H*50	I*4	J*4	L*48		
Eccentric screw		Eccentric bolt		Minimum self-tapping screw		handle	Handle Screws	3CM Flat Head Screws	Hinge	small nails	metal pin	Embedded parts

**Kind tips:** Tighten the screws seven times when installing, Tighten it when you're all done!

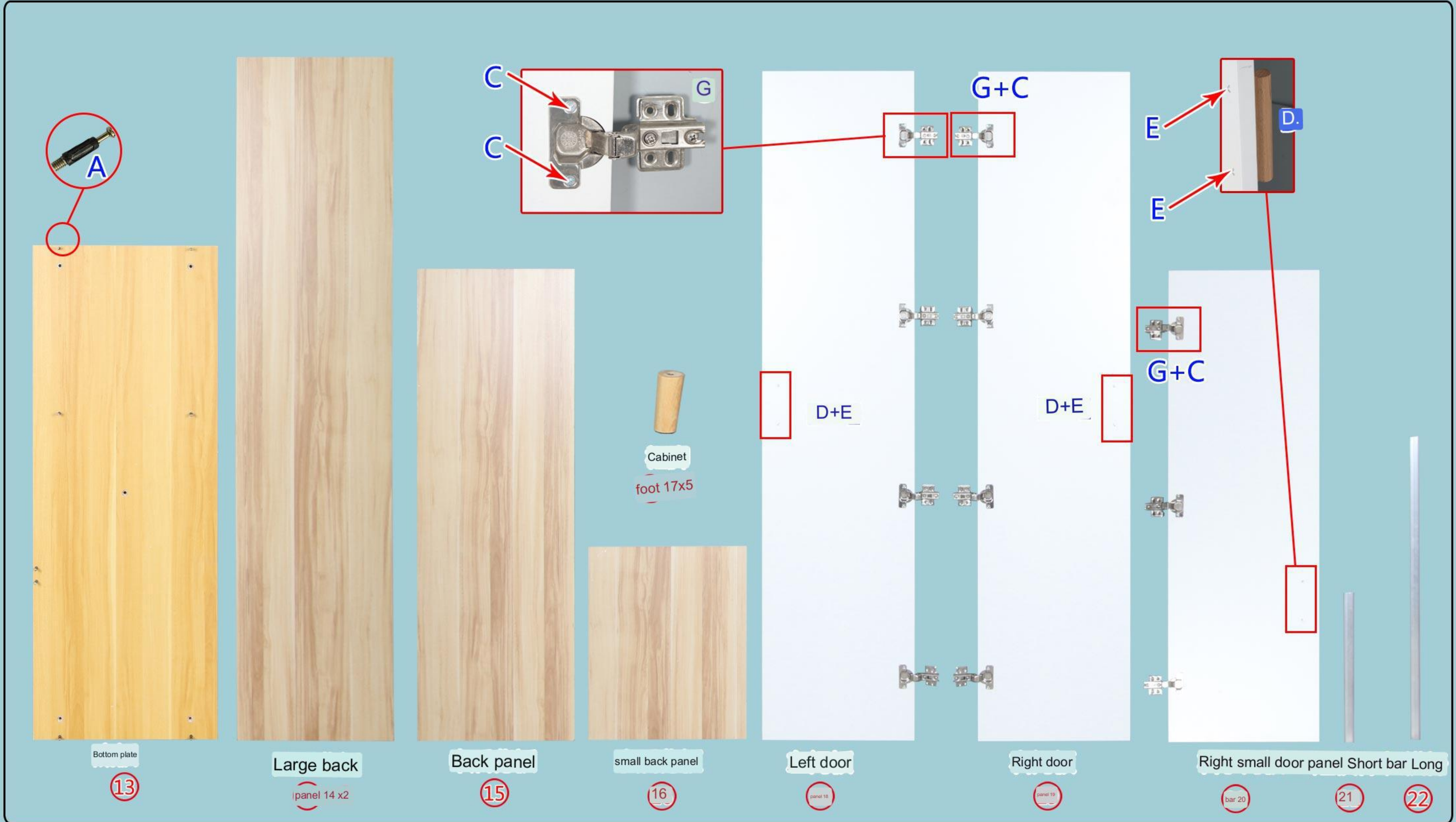
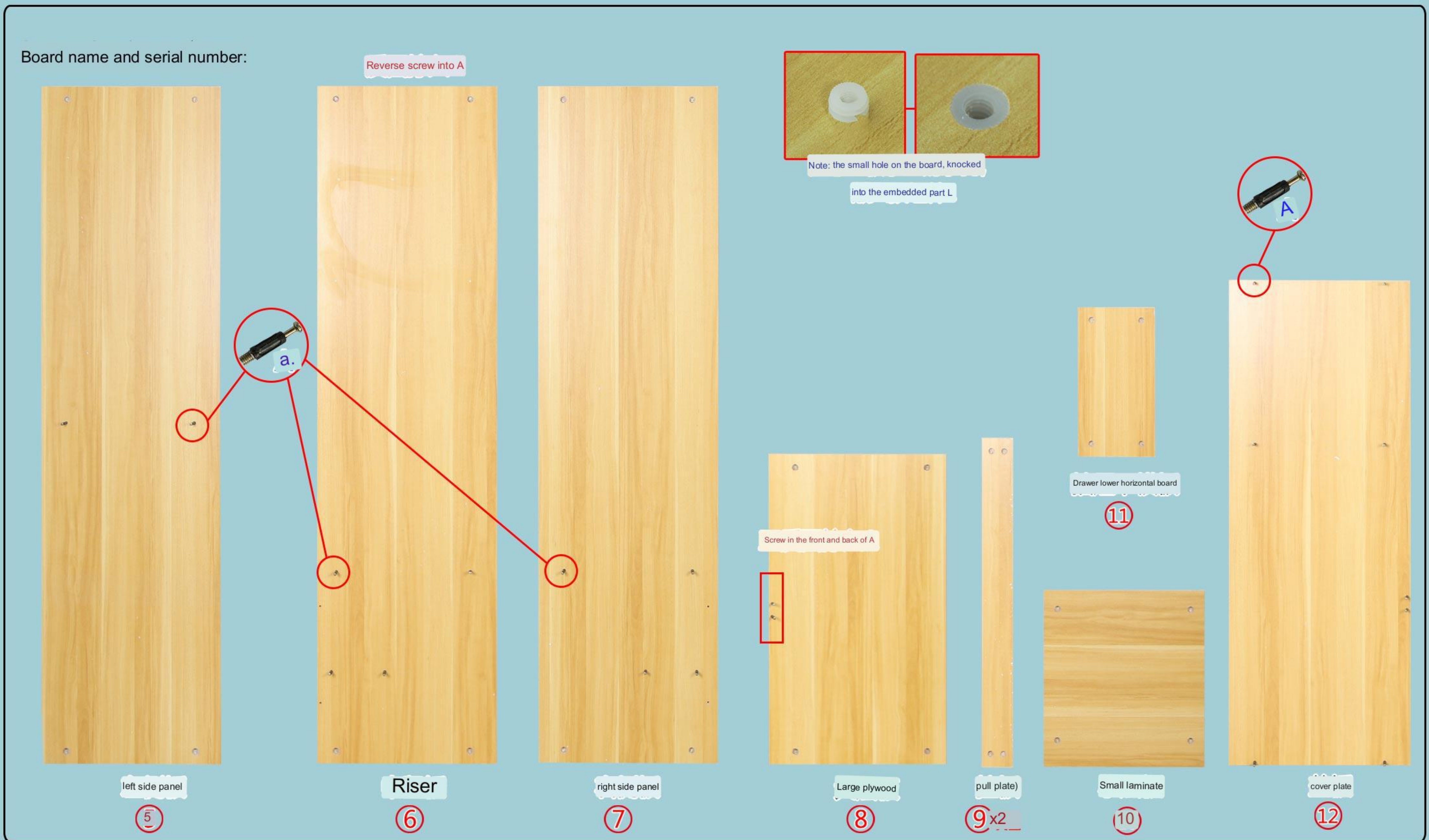
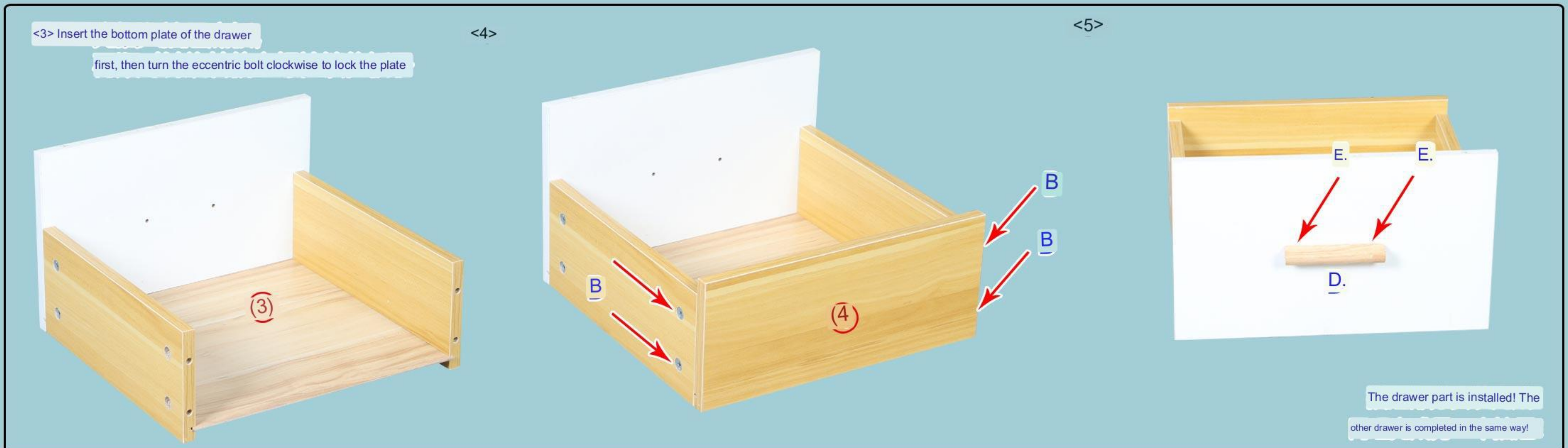
Eccentric installation principle:



installation steps:



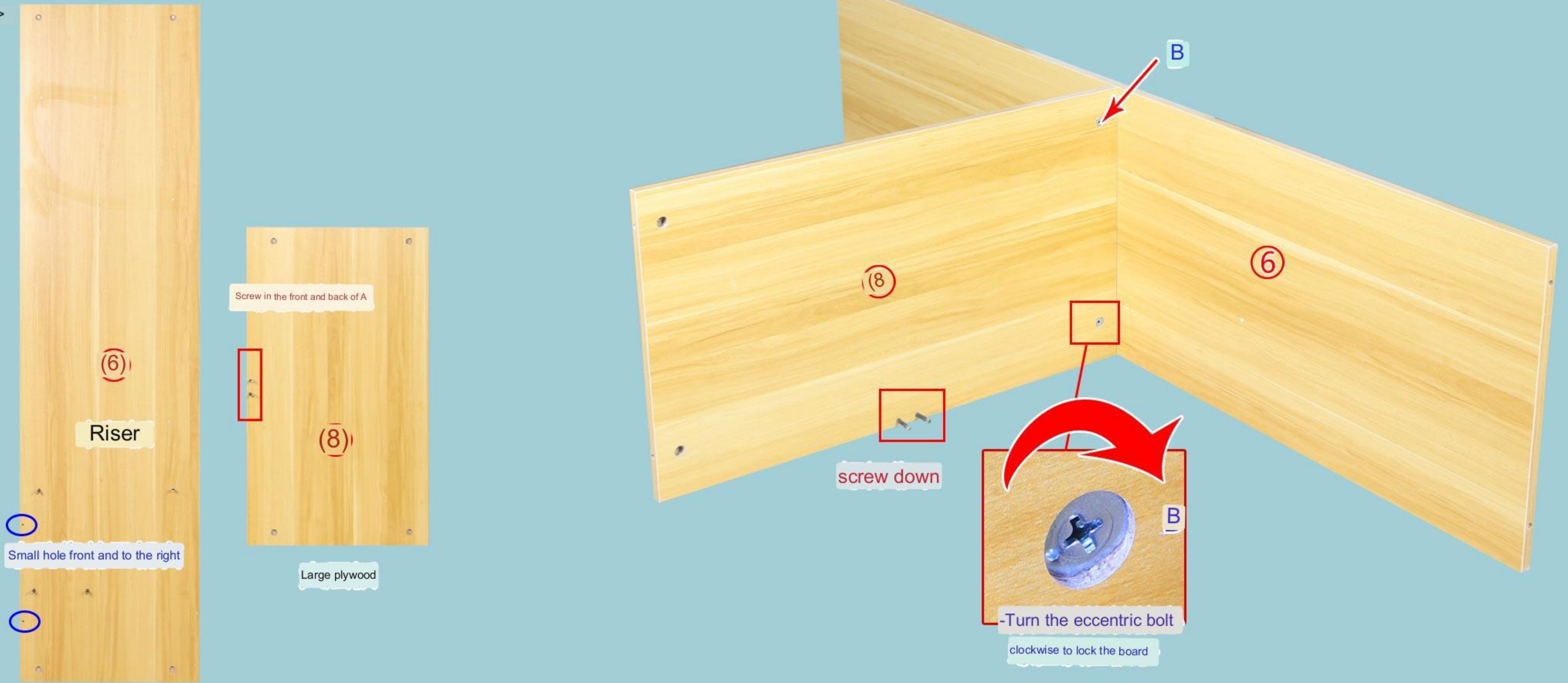




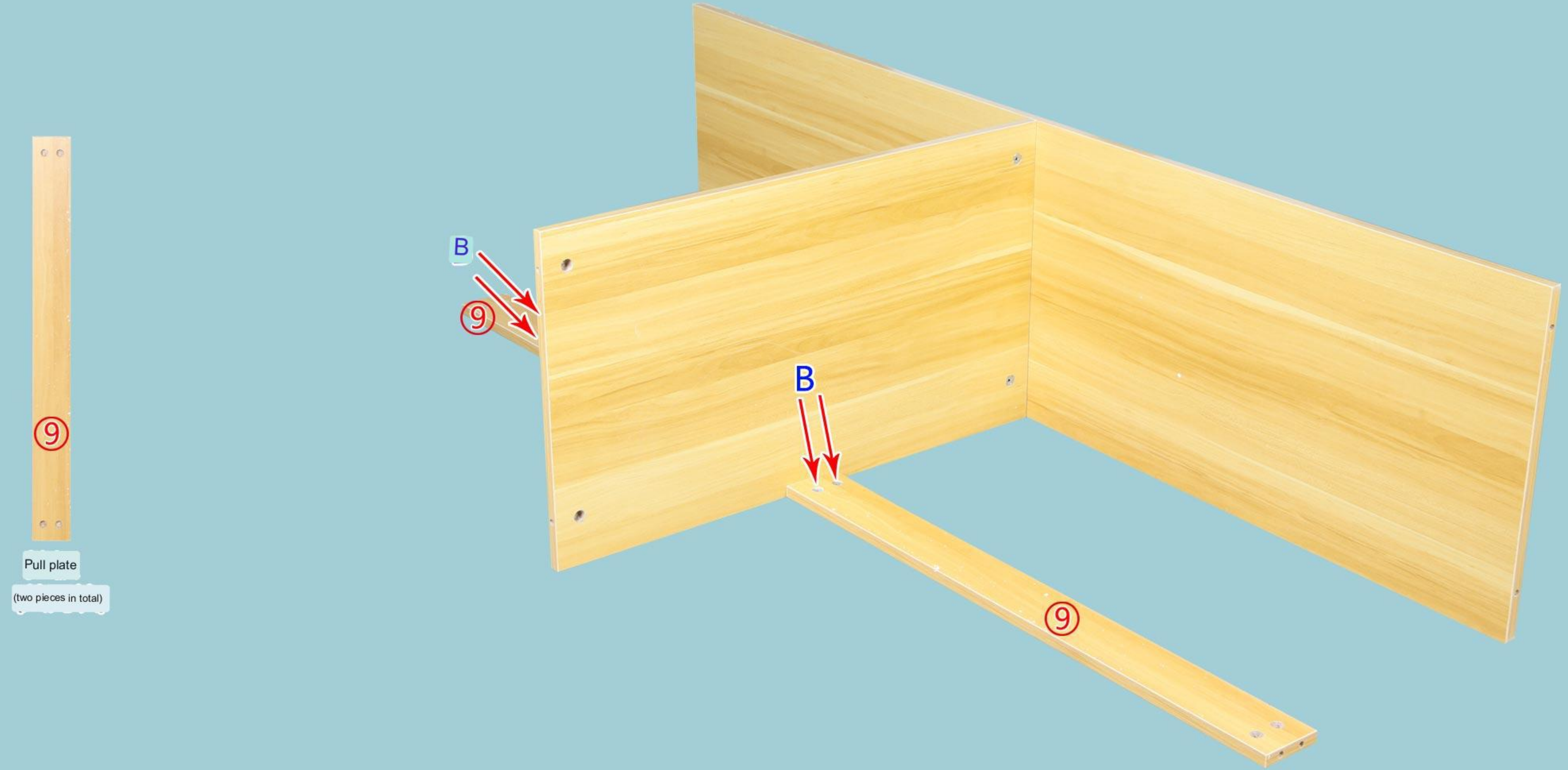


Step 2: Whole Parts Installation

<1>



<2>

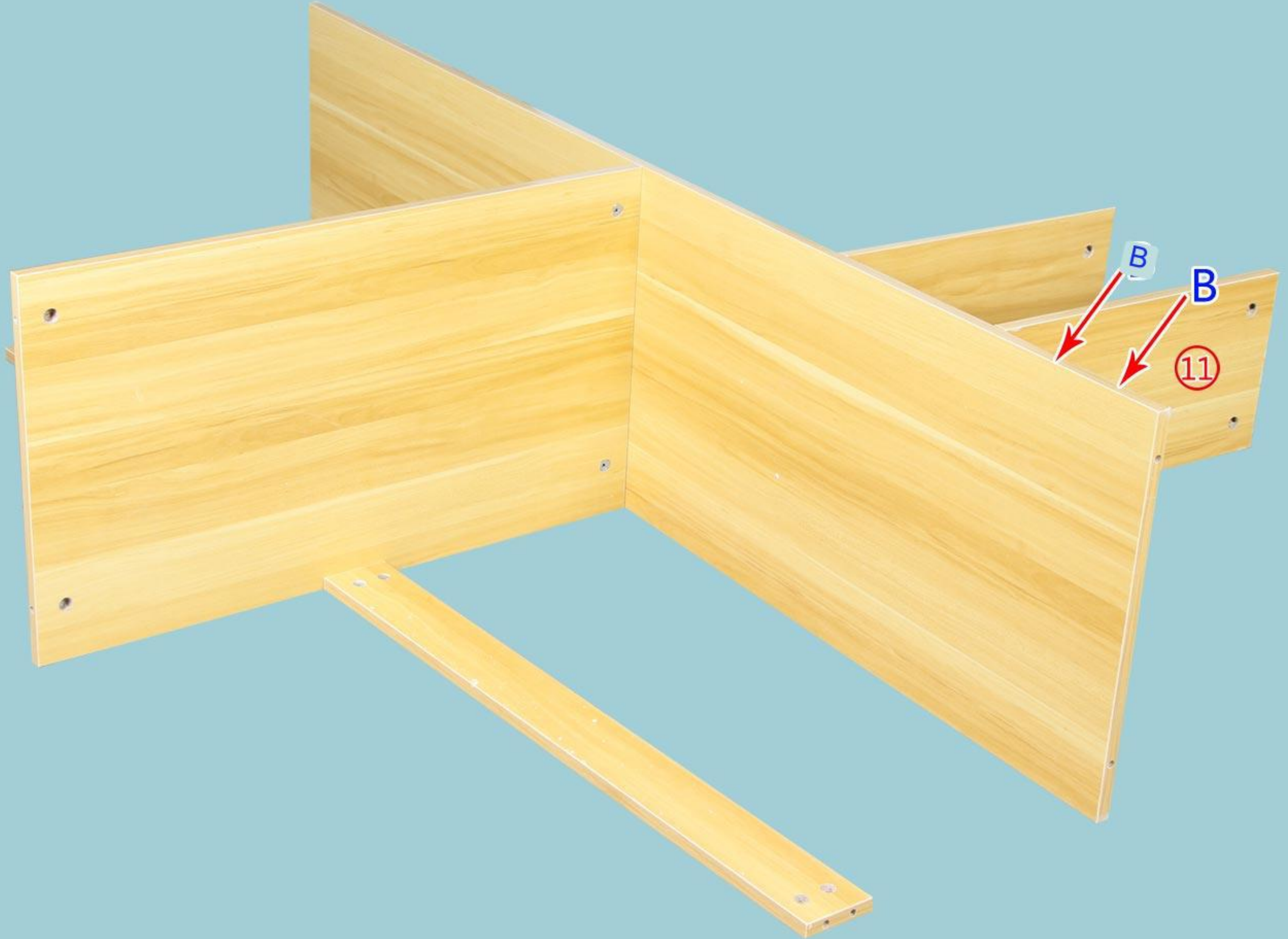


<3>

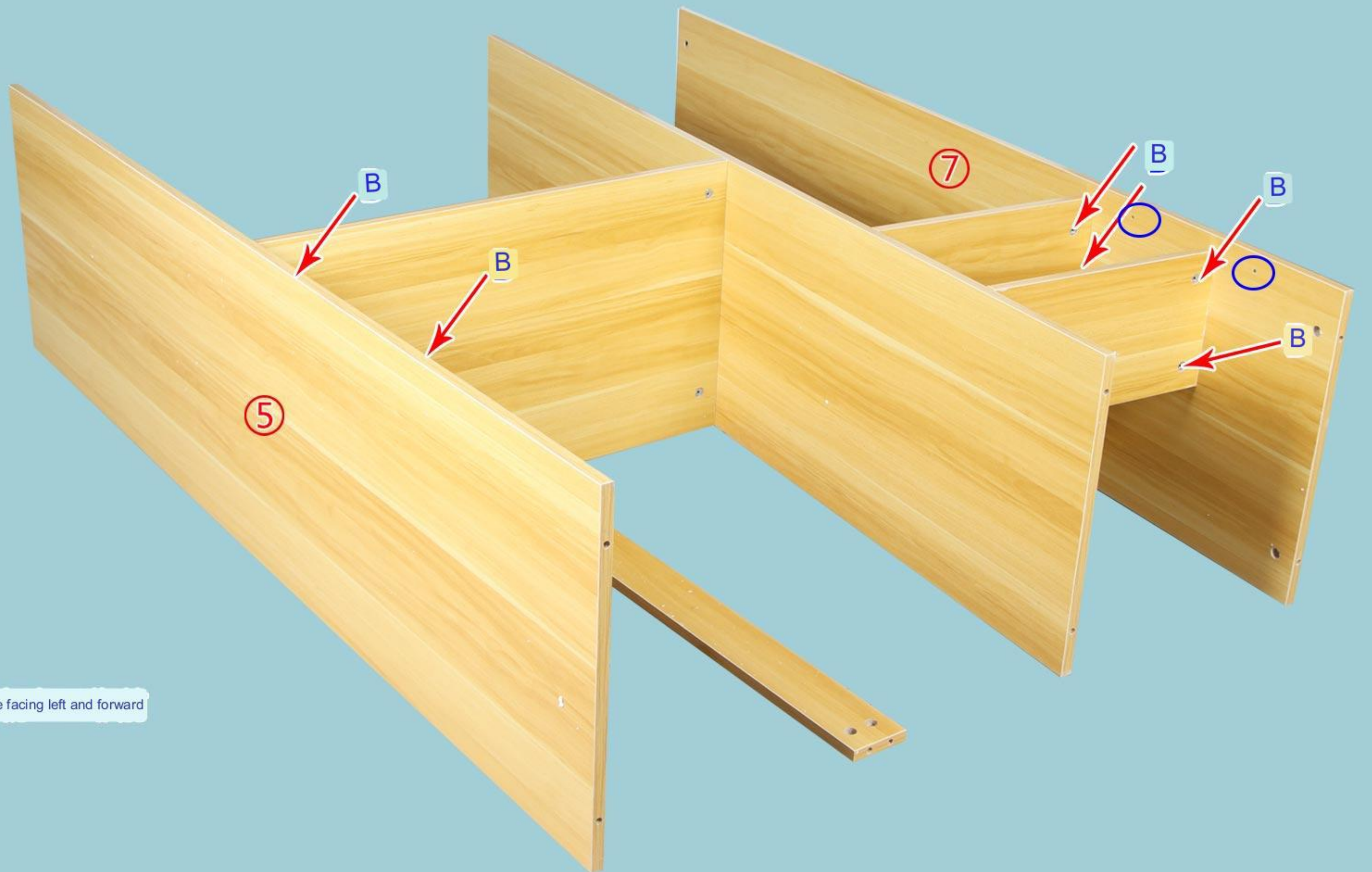




<4>

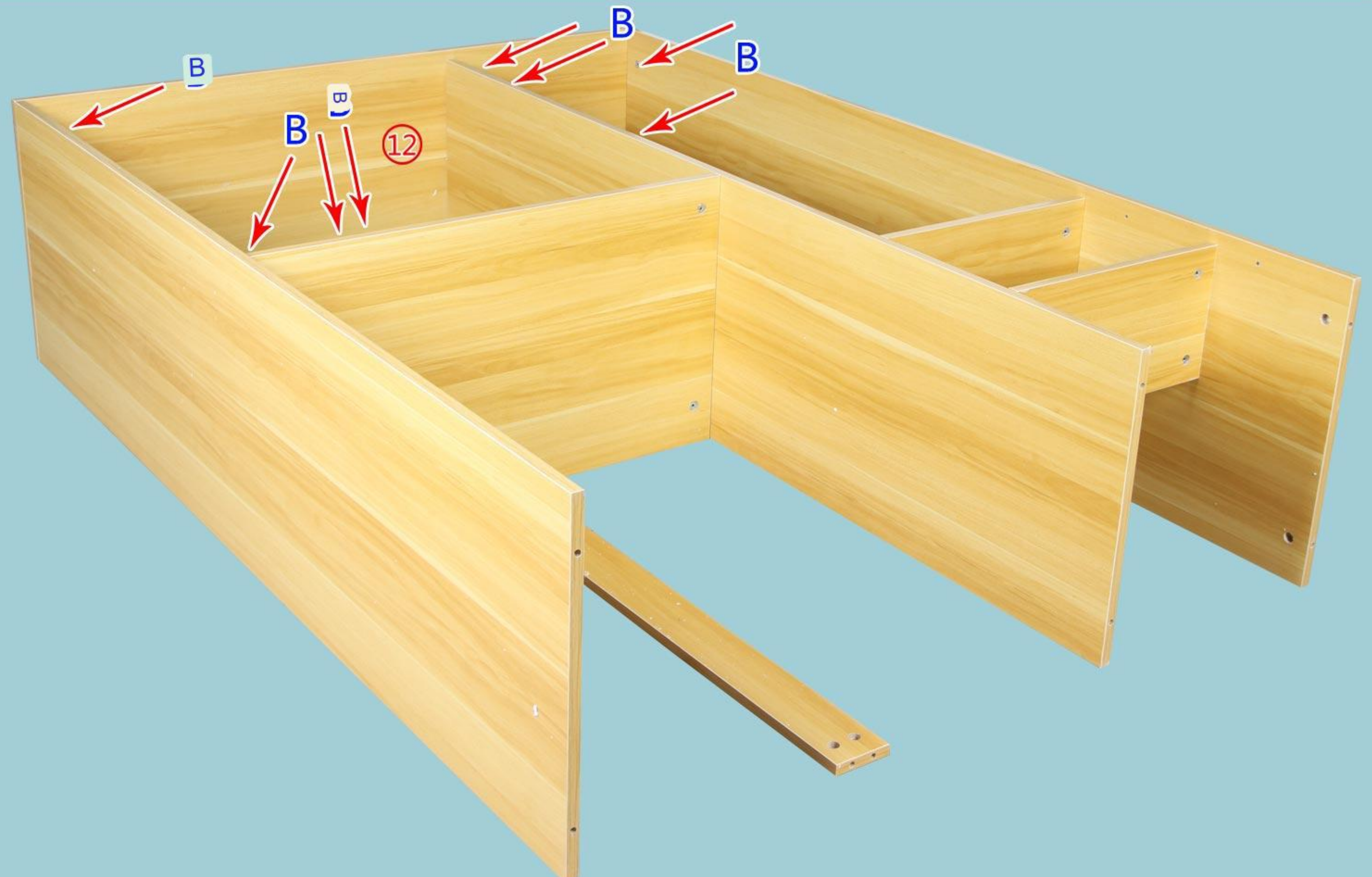


<5>

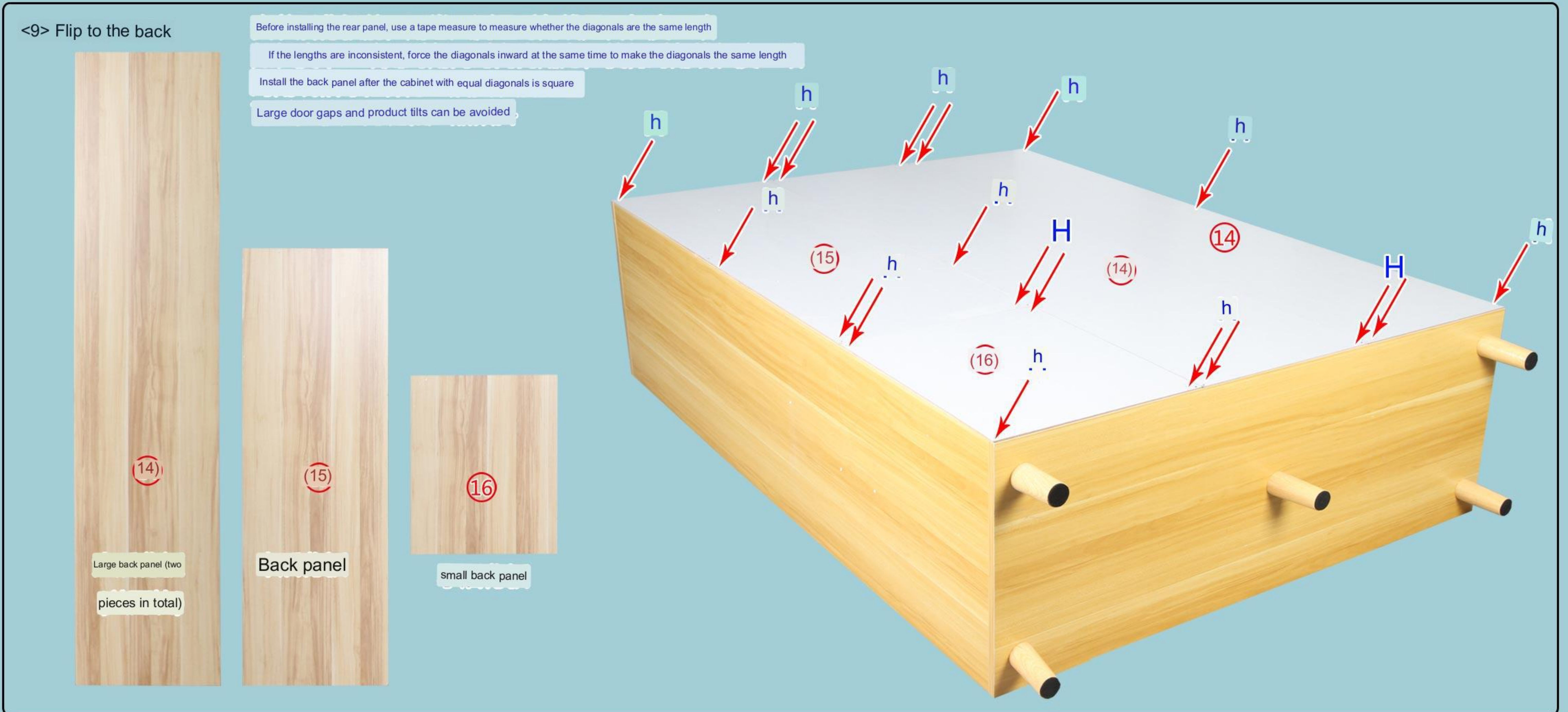
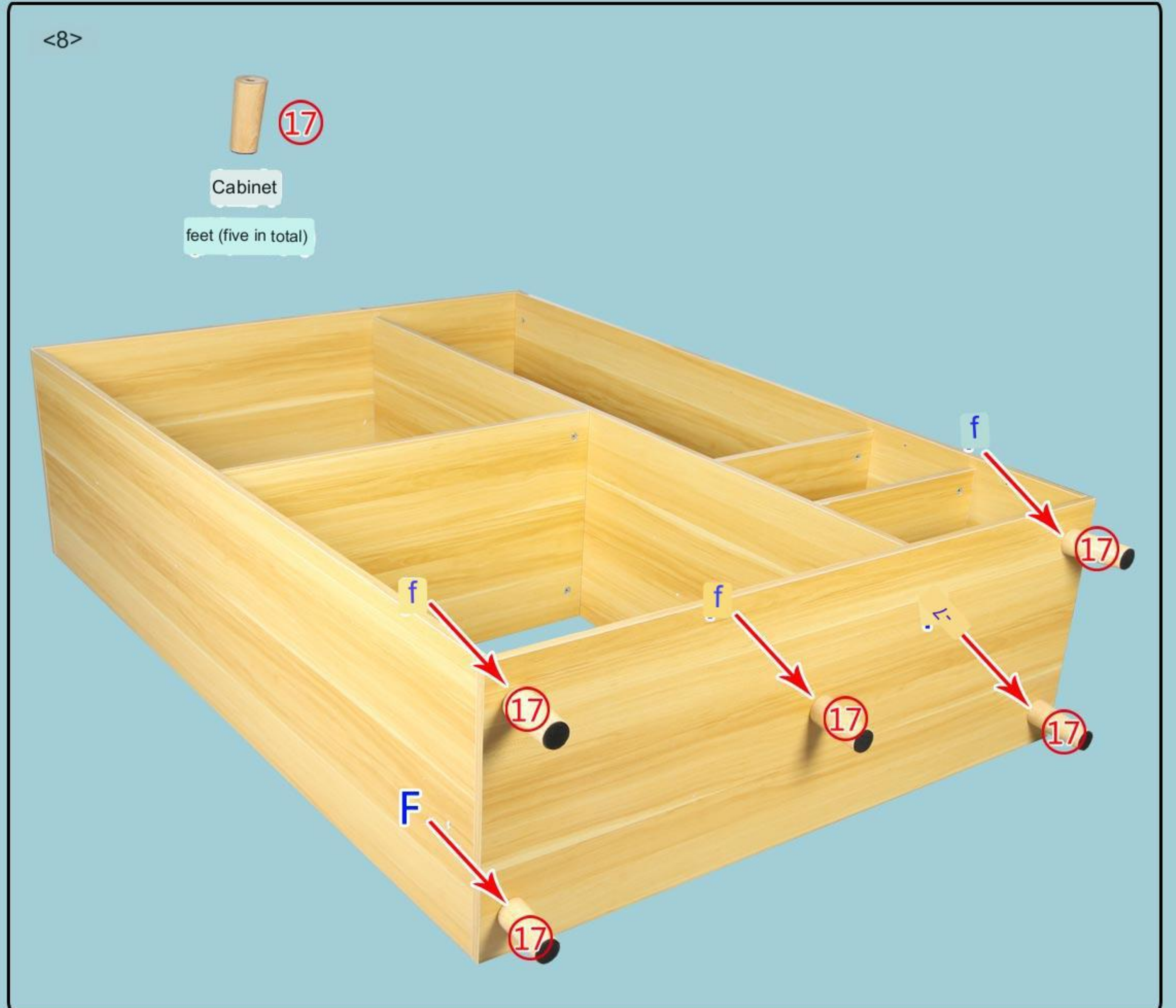
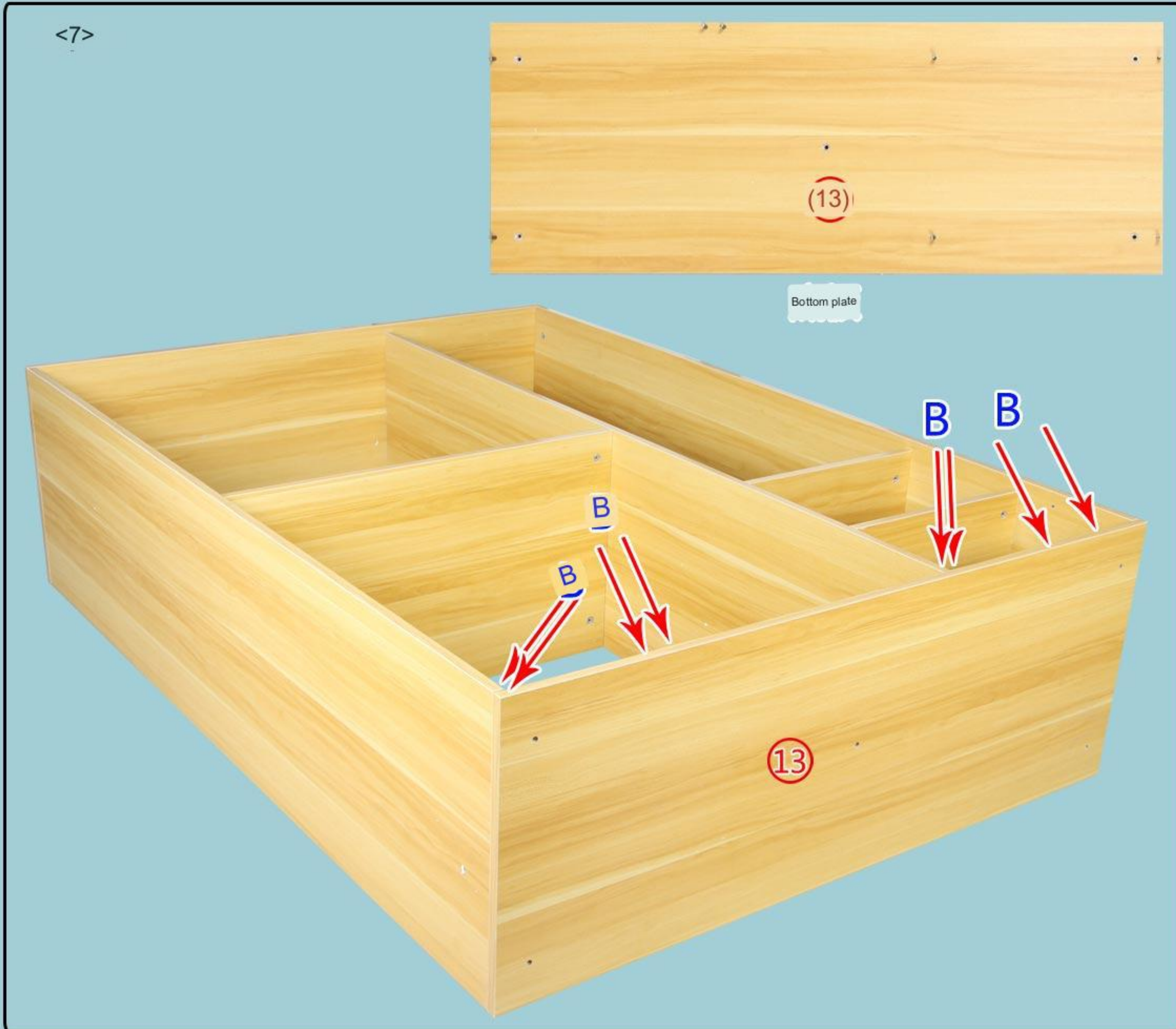


Small hole facing left and forward

<6>







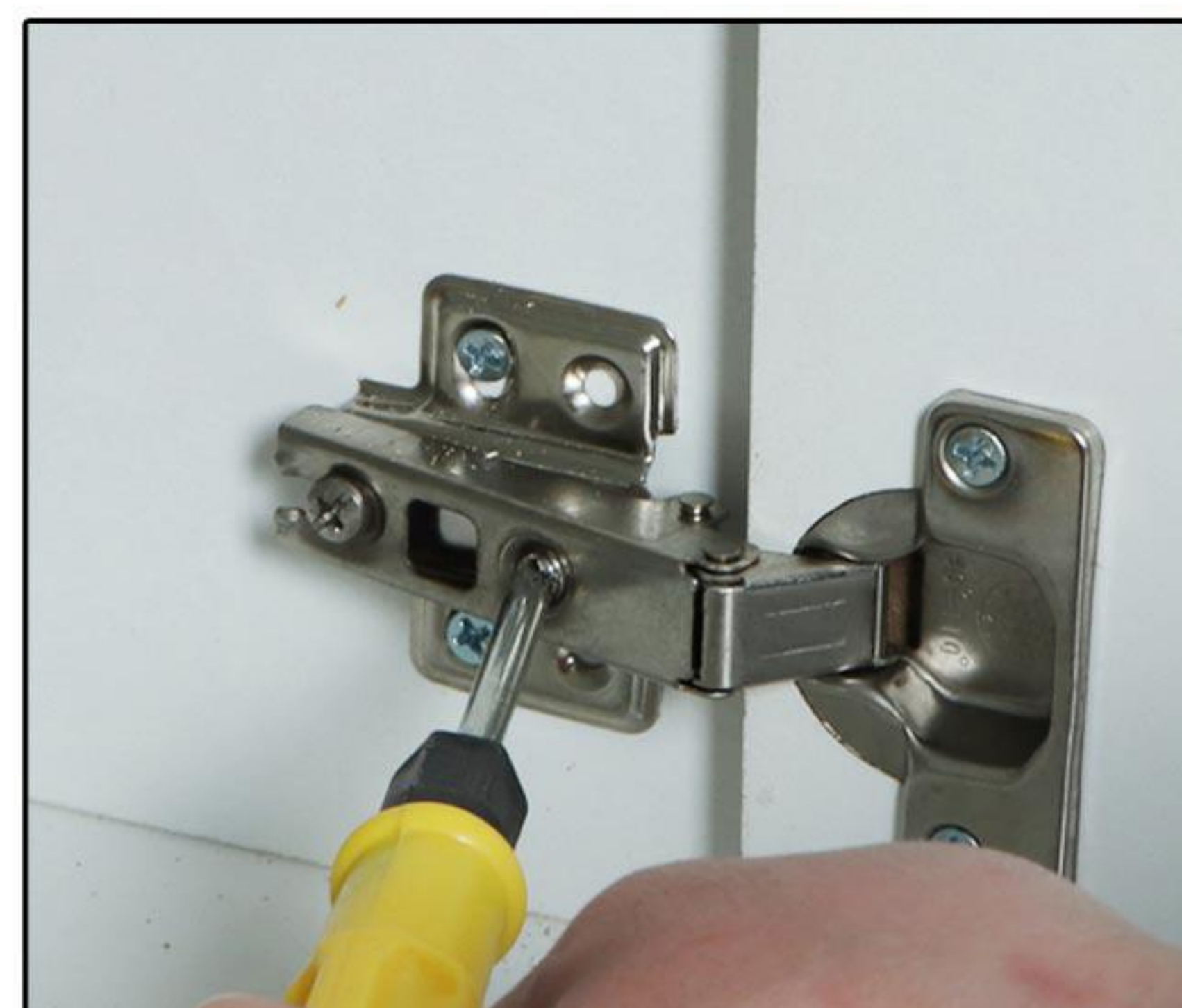
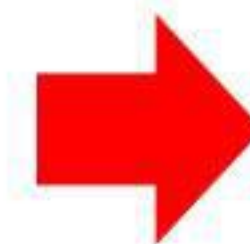






# door adjustment

The door gap is too large

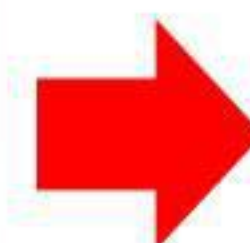
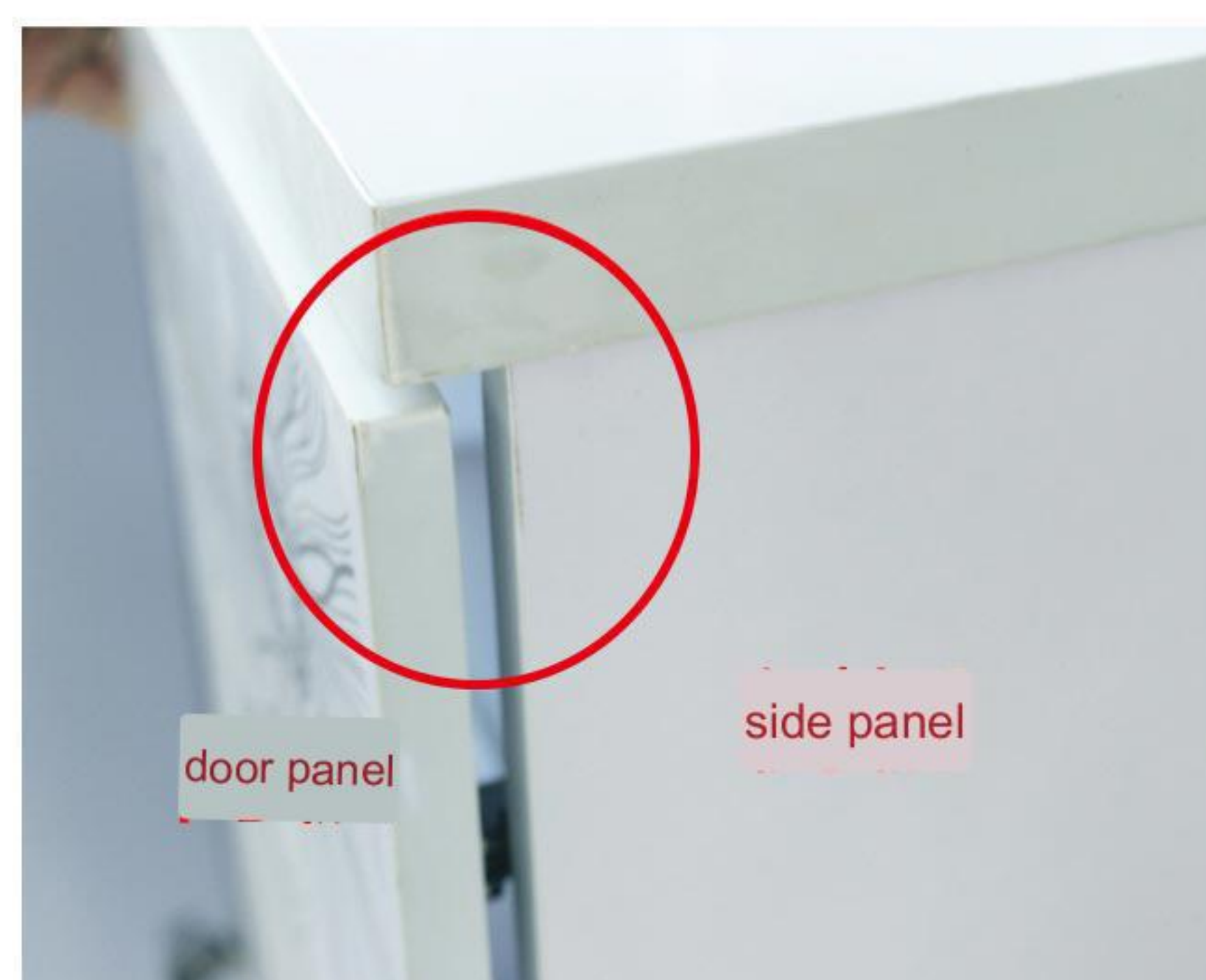


As shown in the figure, the screw that the screwdriver points to,

It is to adjust the left and right movement of the door

panel, and the clockwise rotation is to adjust the door panel to move to the middle.

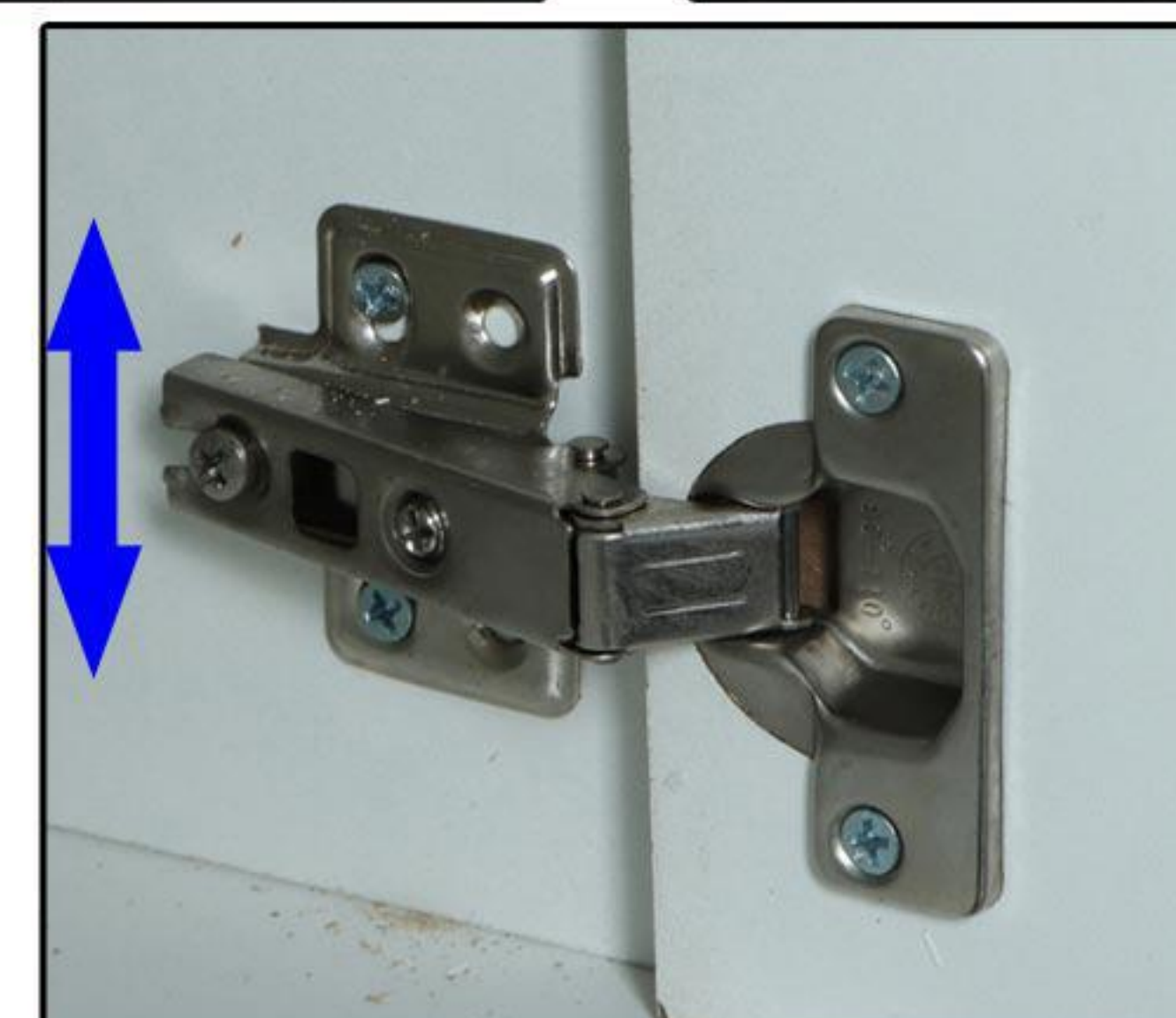
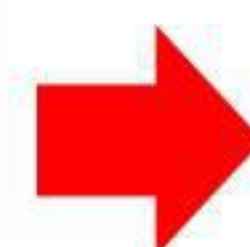
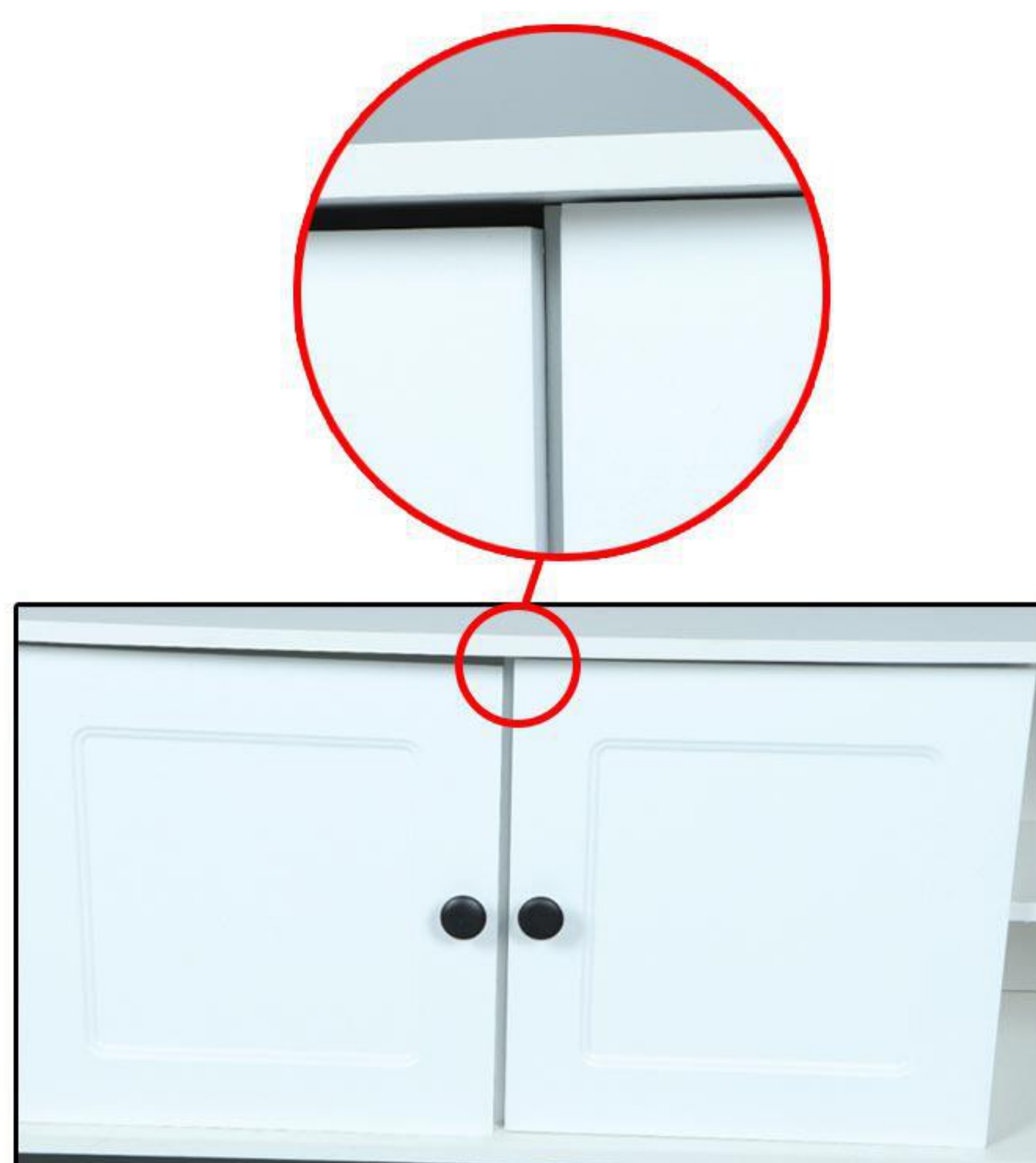
The gap between the door panel and  
the side panel is too large



As shown in the picture, loosen the screw pointed by the  
screwdriver, push the door panel in or pull it out, and then

tighten it to solve the above problem.

The height of the door  
panel is uneven



As shown in the picture, loosen the screw pointed

by the screwdriver, push the lower door panel and hinge upward, and then tighten

the screw. Push the higher door panel and hinges down and tighten the screws.