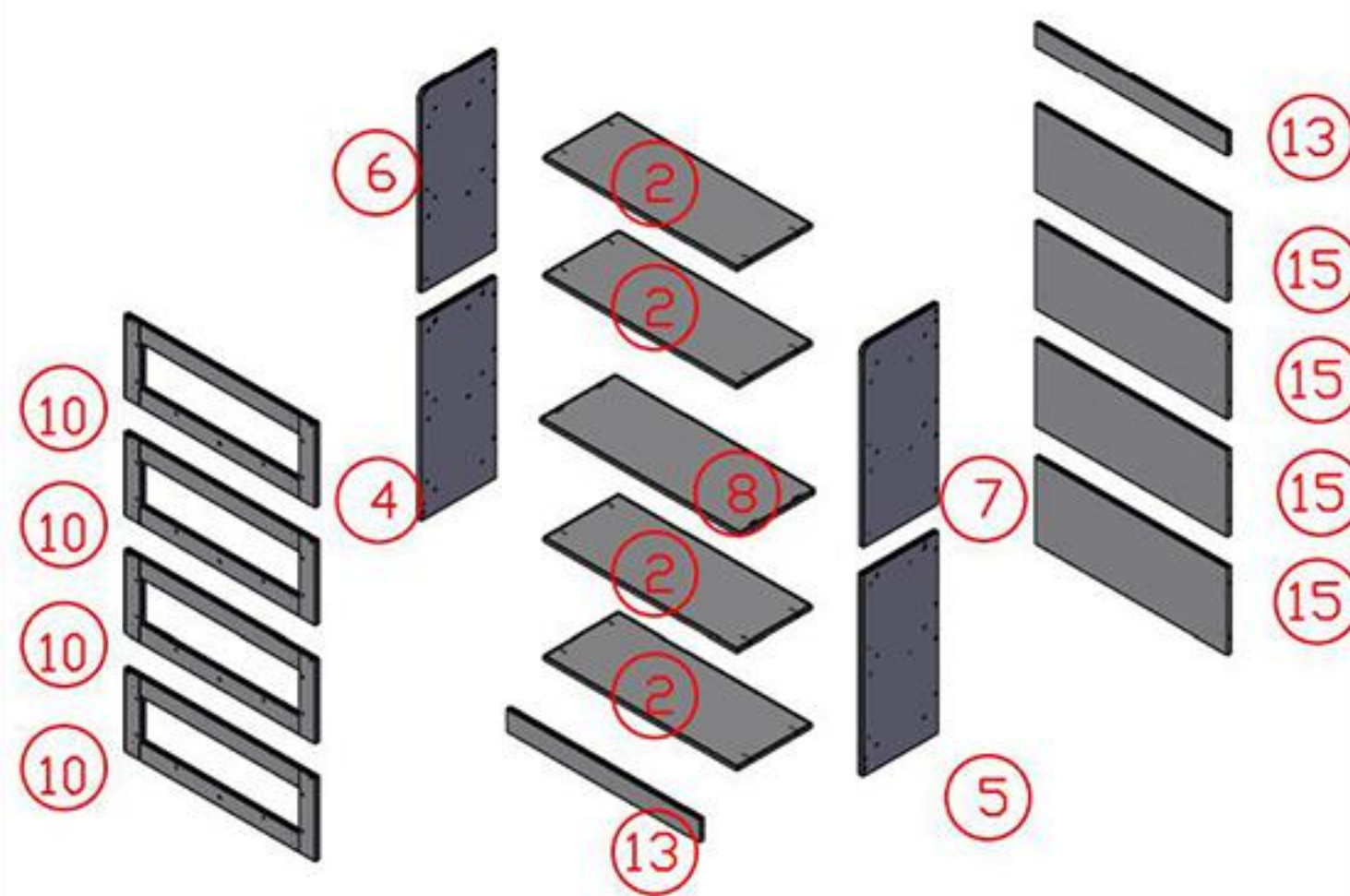
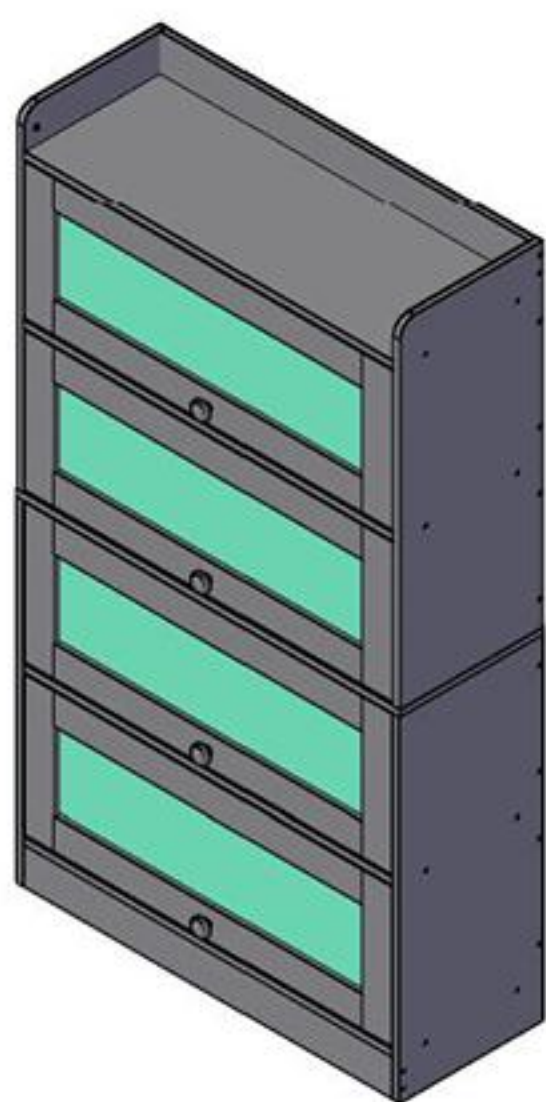


# BS031 - 4T Installation Instruction

Please be sure to use a manual screwdriver and refrain from using an electric drill.



## Operations

1. Since the nuts and screws are not connected, please read the instructions carefully before installation and distinguish each kind of nuts and screws.

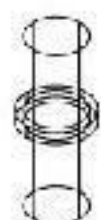


## Must See

2. During installation, please tighten the screws in seven categories first, and then tighten all the screws after all installation is completed.



B4\*46  
4 x 40PCS  
Screws



K0\*9  
Iron Shelf Pin



B8\*5  
6 x 18  
Drawer handle screws



J11\*5  
Handles



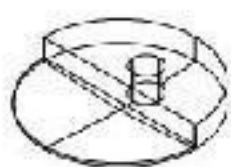
D14\*5  
Eccentric wheel +  
Eccentric rod  
combination



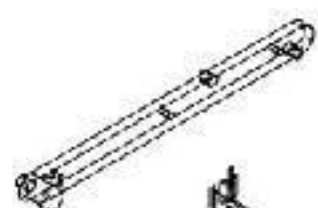
A1\*58  
3.5x12 self-tapping  
screws



A17\*26  
3.5x18 self-tapping  
screws



N27\*34  
White buckle x 2



G8\*8  
Flip-up track +  
buckle



4  
Acrylic Door



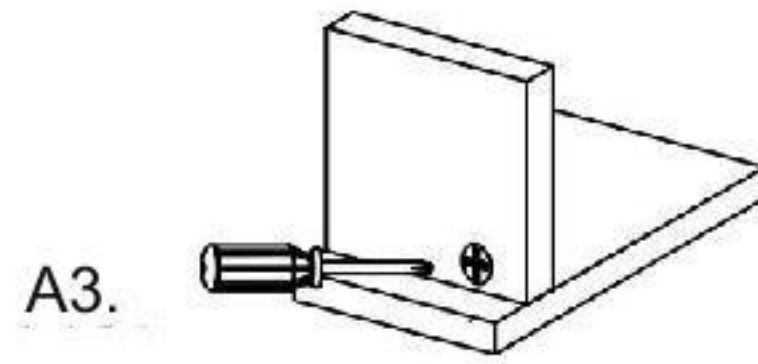
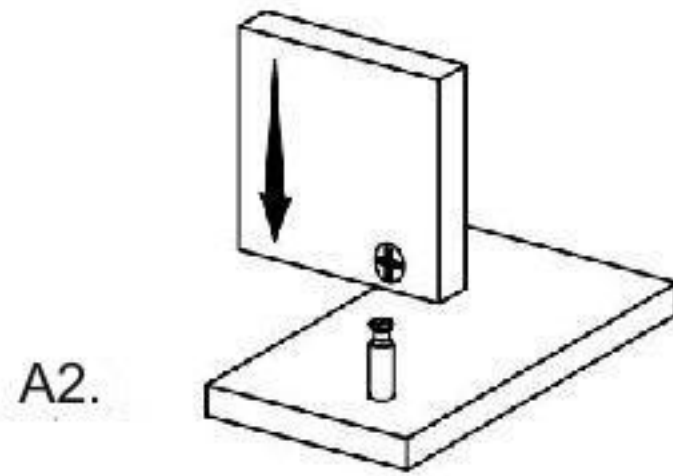
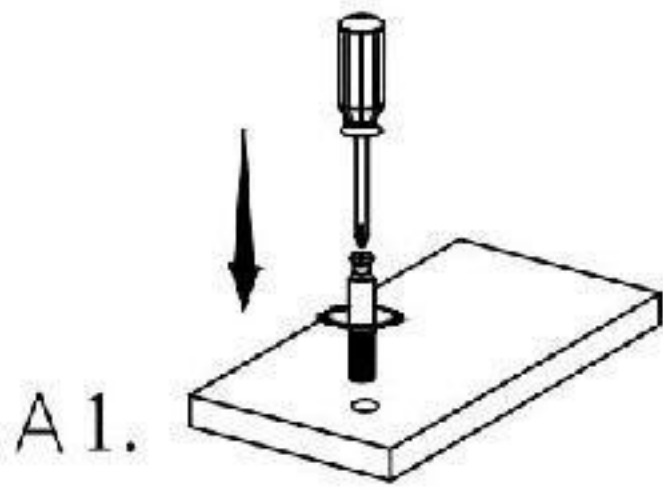
1  
Screwdriver



2



# Installation method of eccentric wheel + eccentric rod combination:

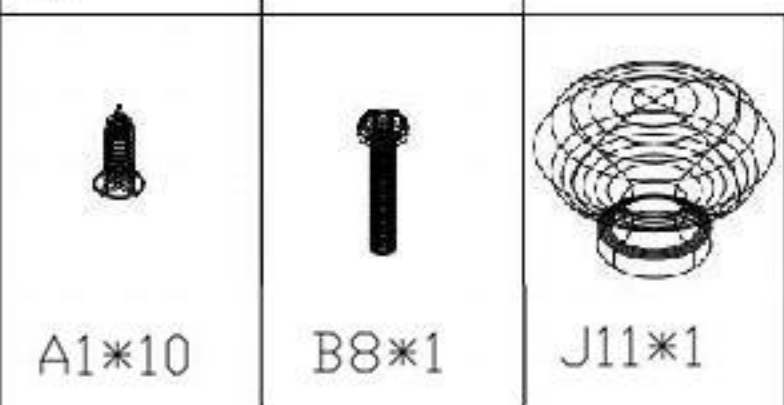
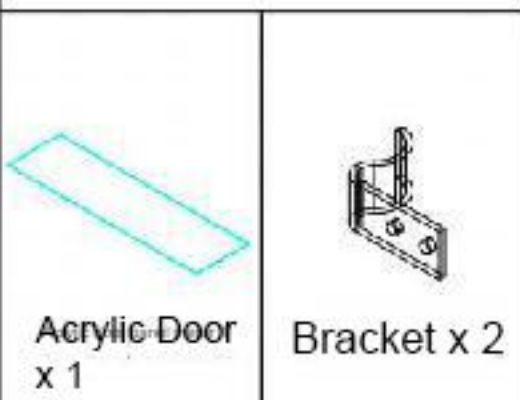
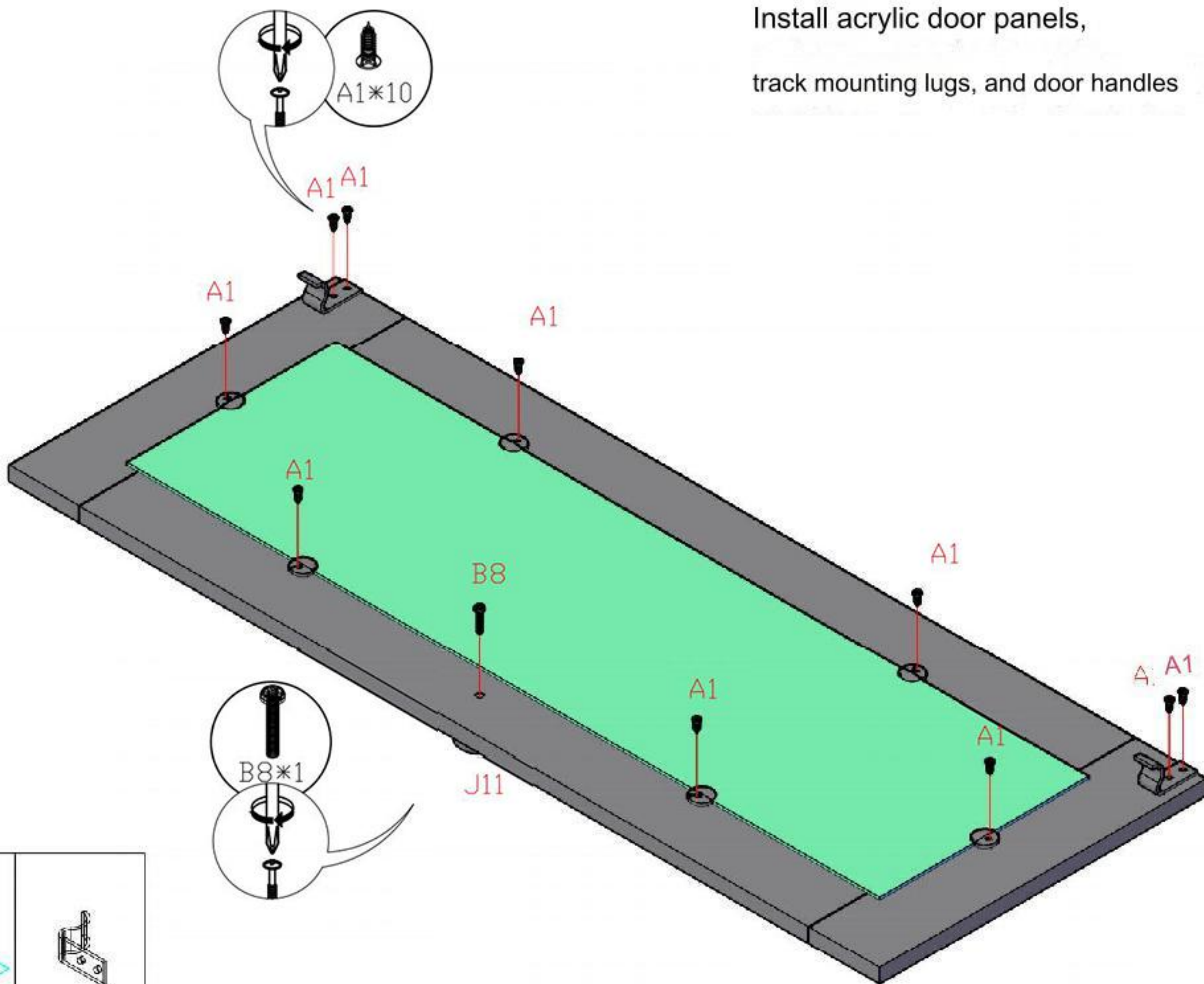


Screw on the eccentric rod clockwise

Insert the eccentric into the reserved hole and lock the eccentric clockwise. Align the notch with the side hole and insert the eccentric rod.

step 1

Install acrylic door panels,  
track mounting lugs, and door handles

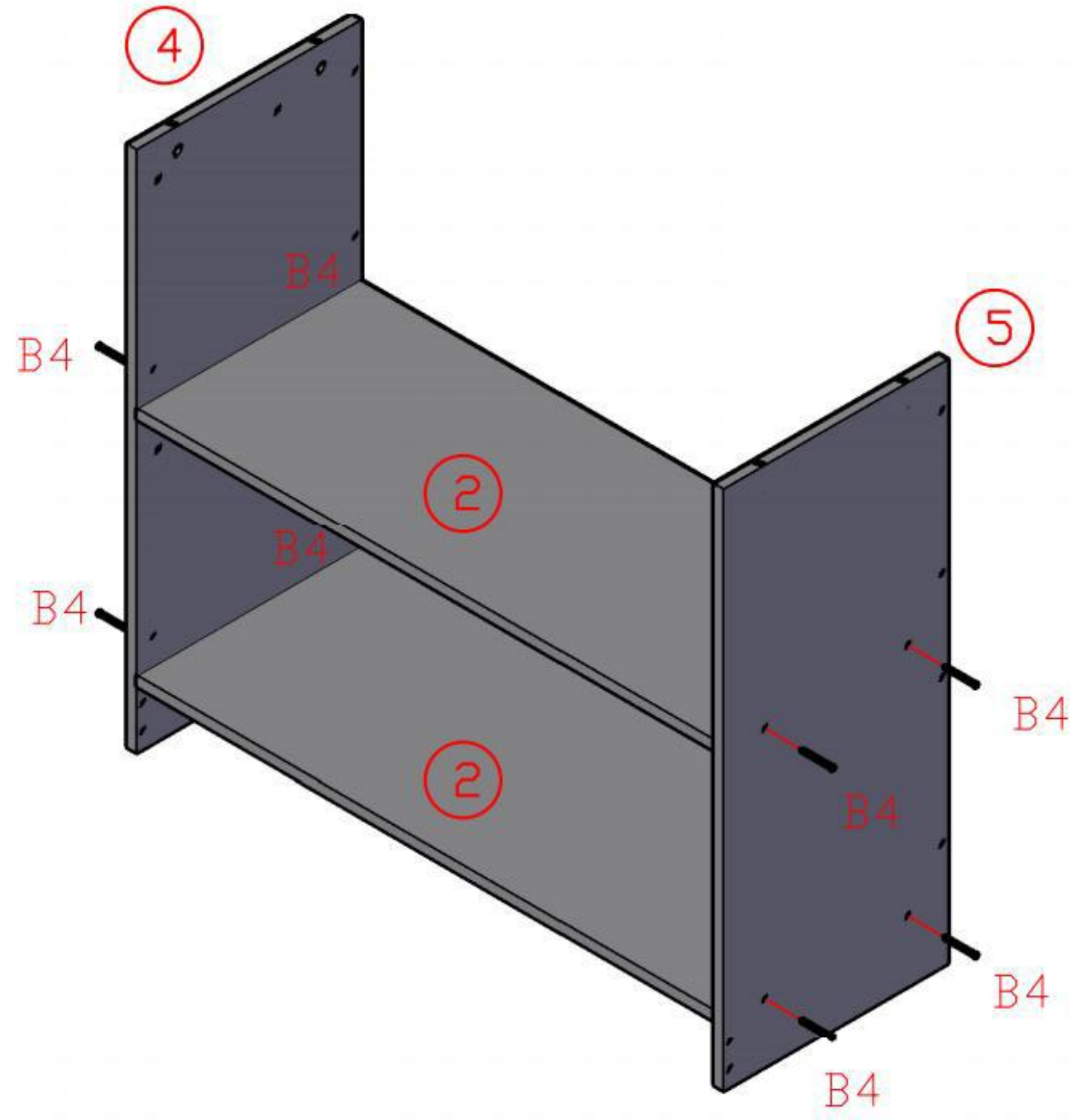
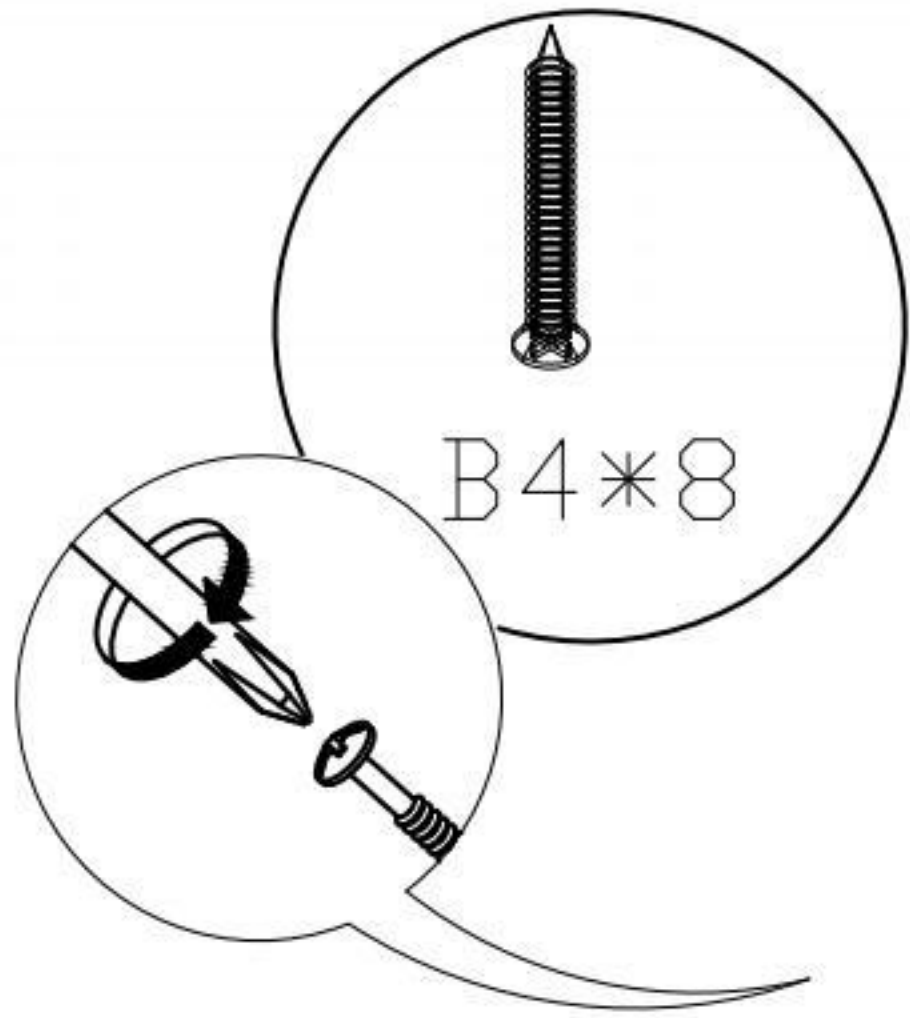




step 2

Install shelves

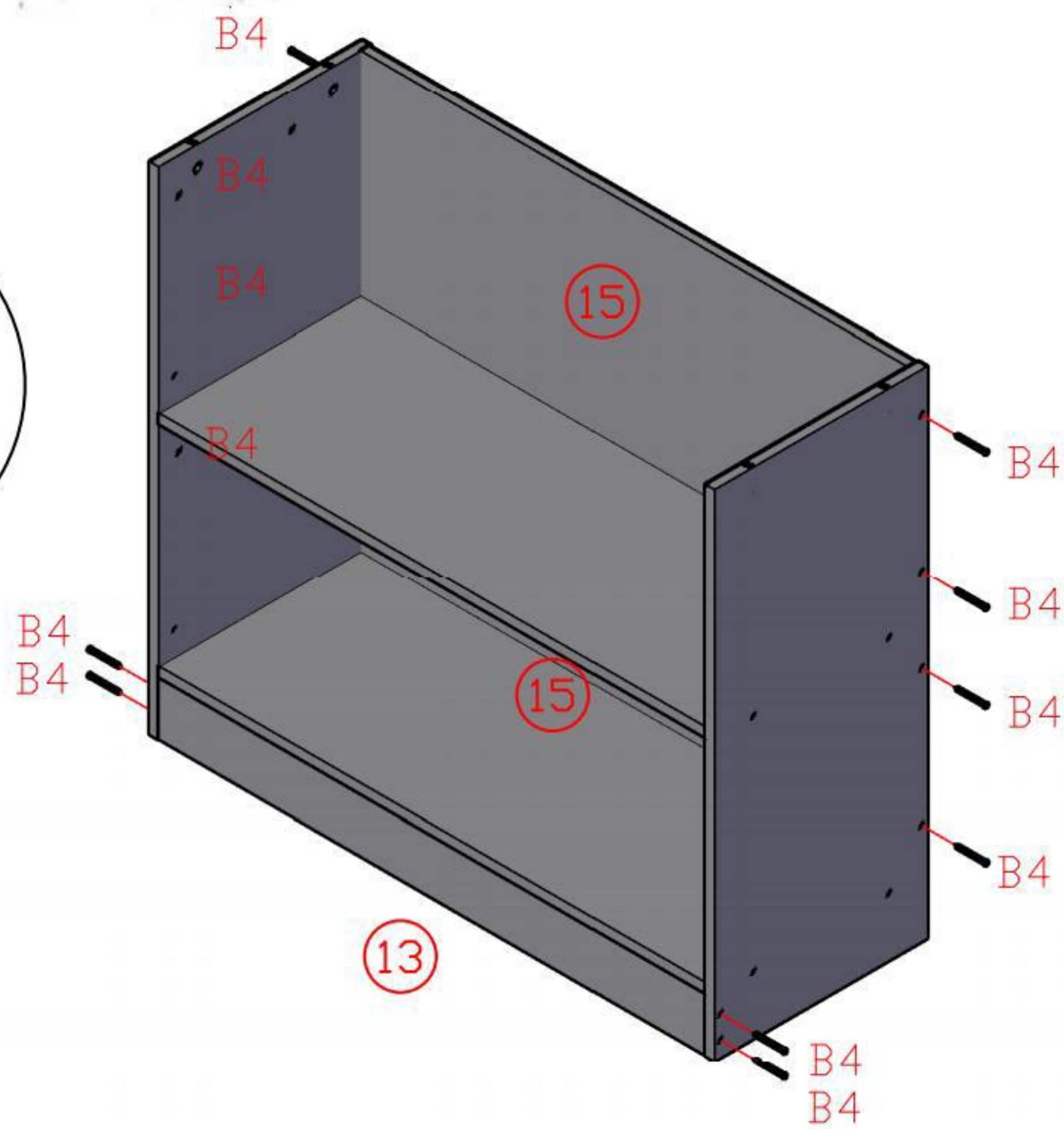
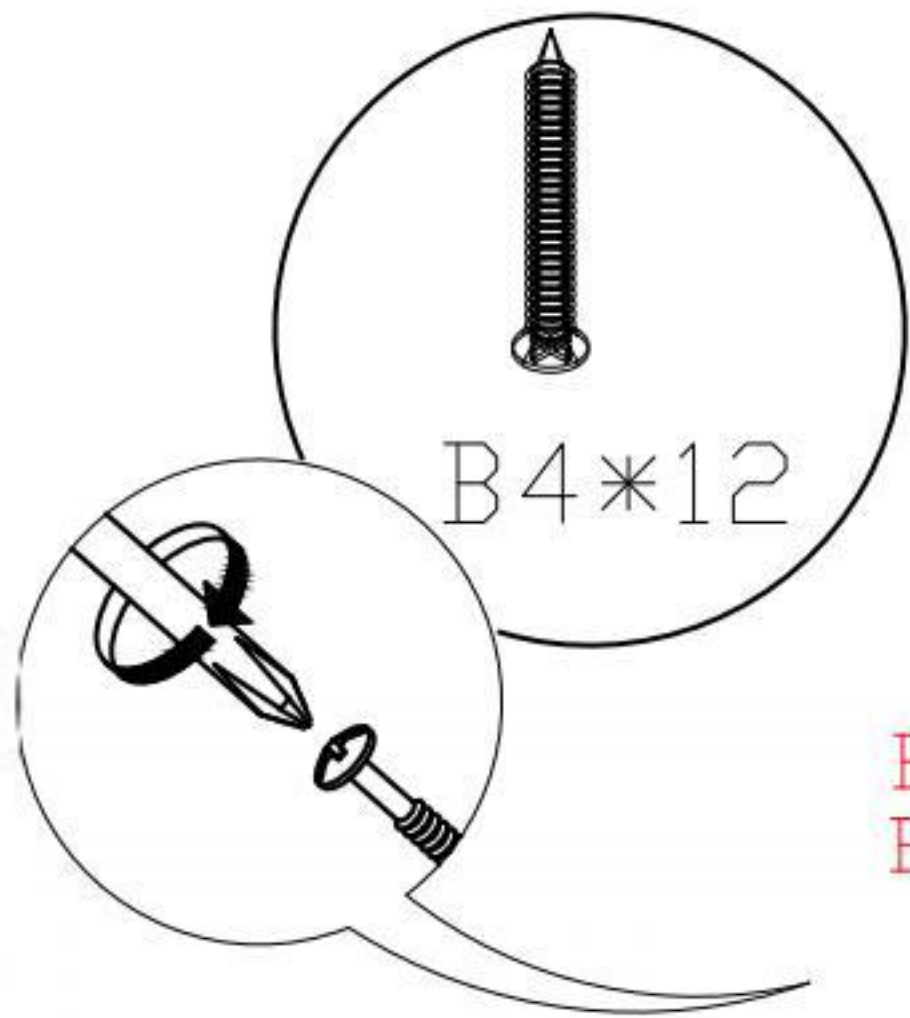
Install the lower half of the cabinet



B4\*8

Step 3

Install the back plate and pull plate



B4\*12

The lower half of the cabinet is installed





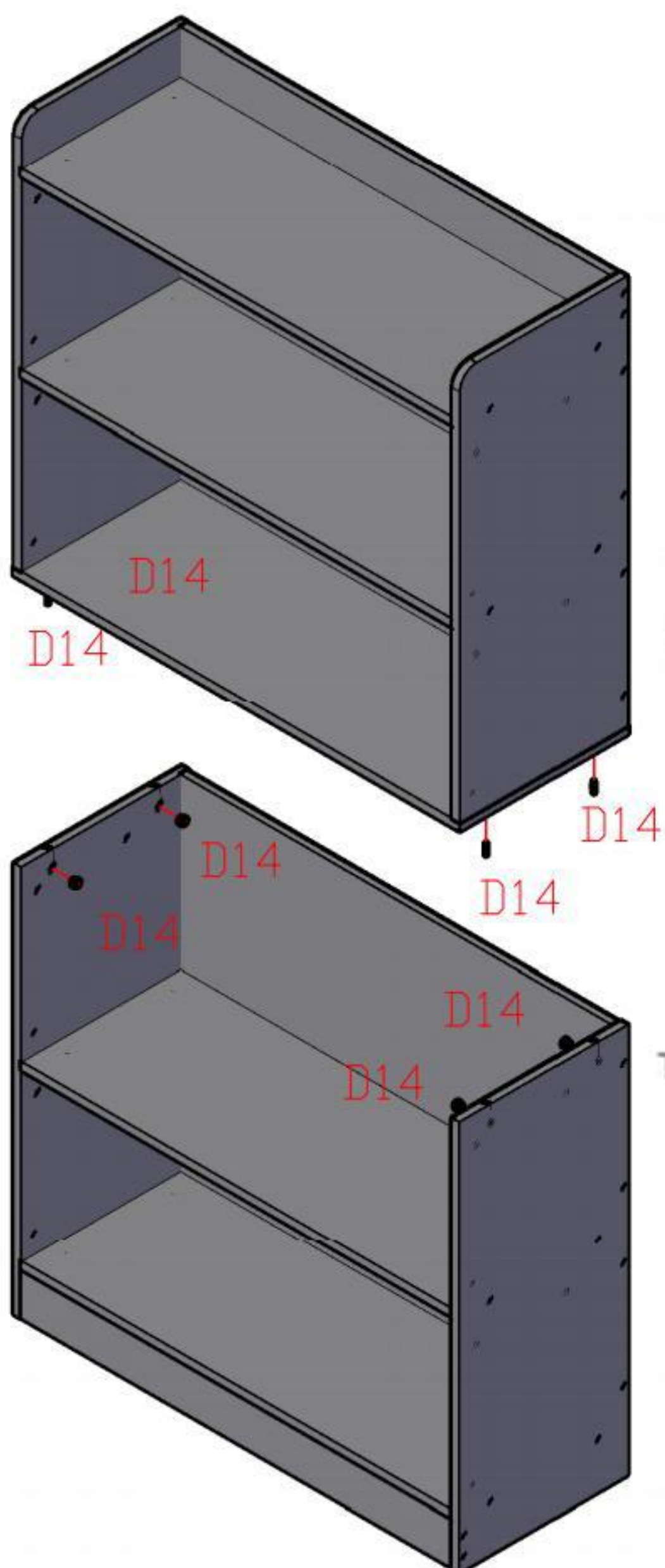




step 6

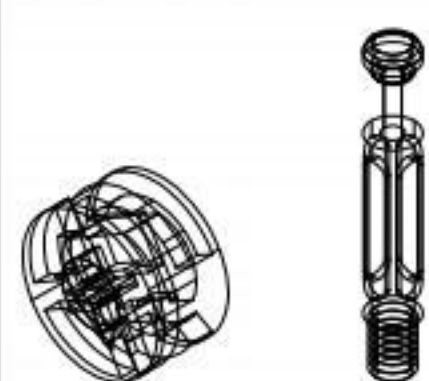
### Assembling

### upper and lower cabinet parts



The eccentric rod is screwed into the bottom of the middle partition

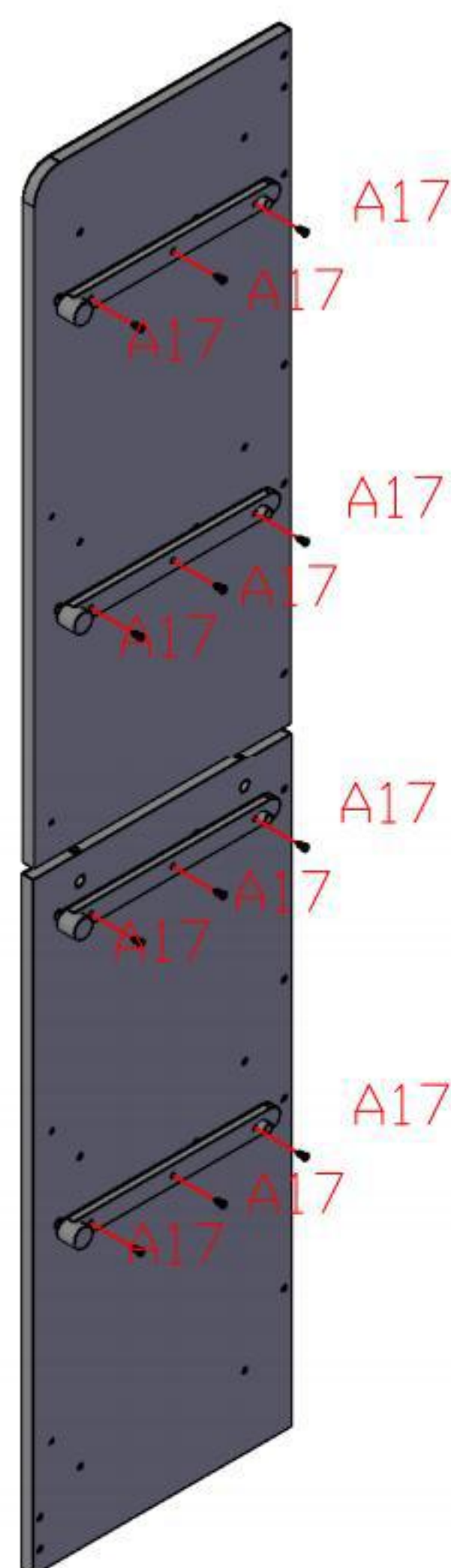
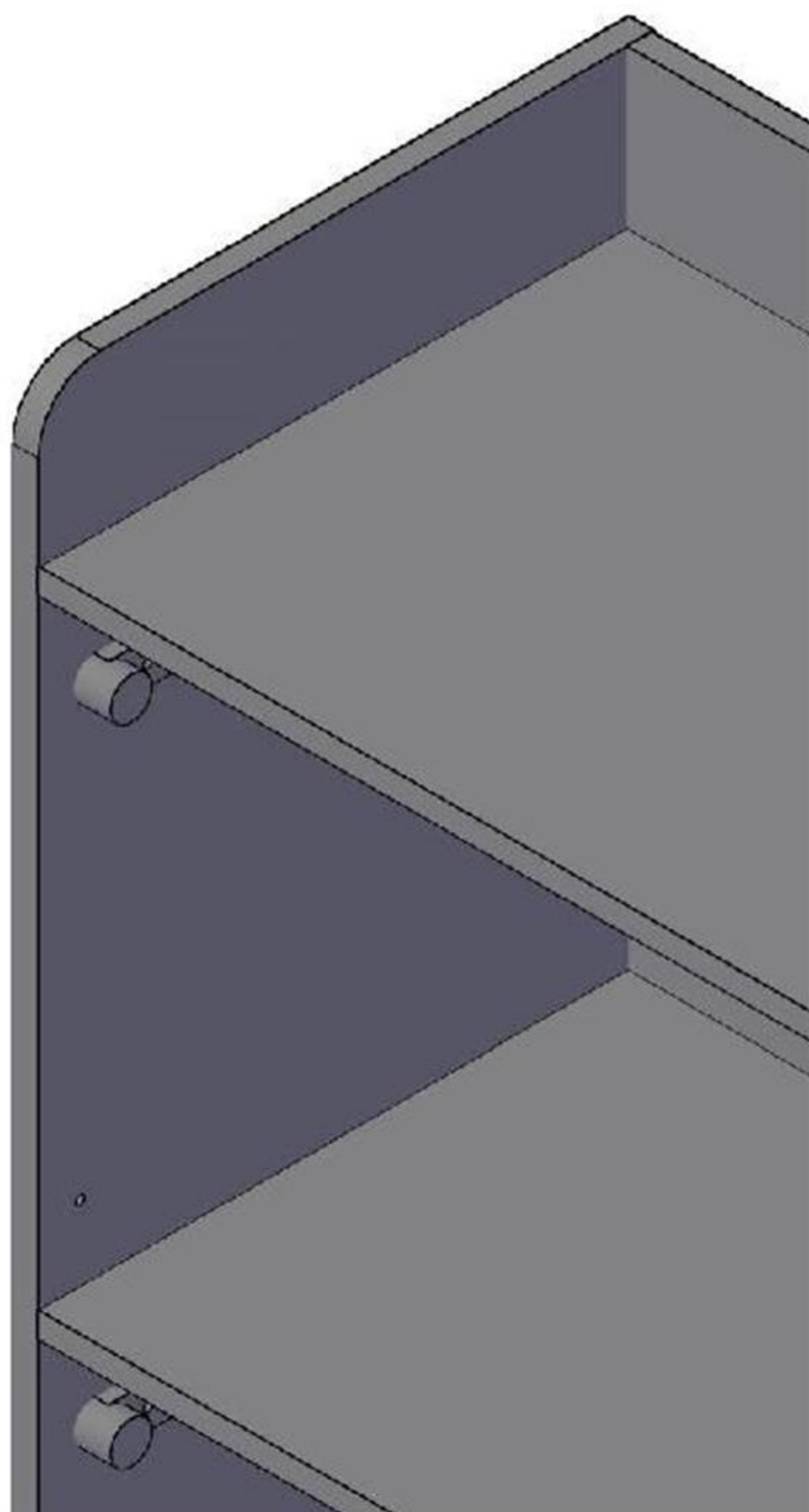
The eccentric wheel is inserted into the reserved hole in the lower side plate



D14\*4

step 7

### Installation rail

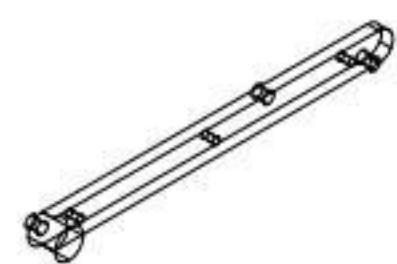


left side panel

Internal view simulation perspective

right panel

Please refer to this picture for installation



G8 \*8



A17\*24





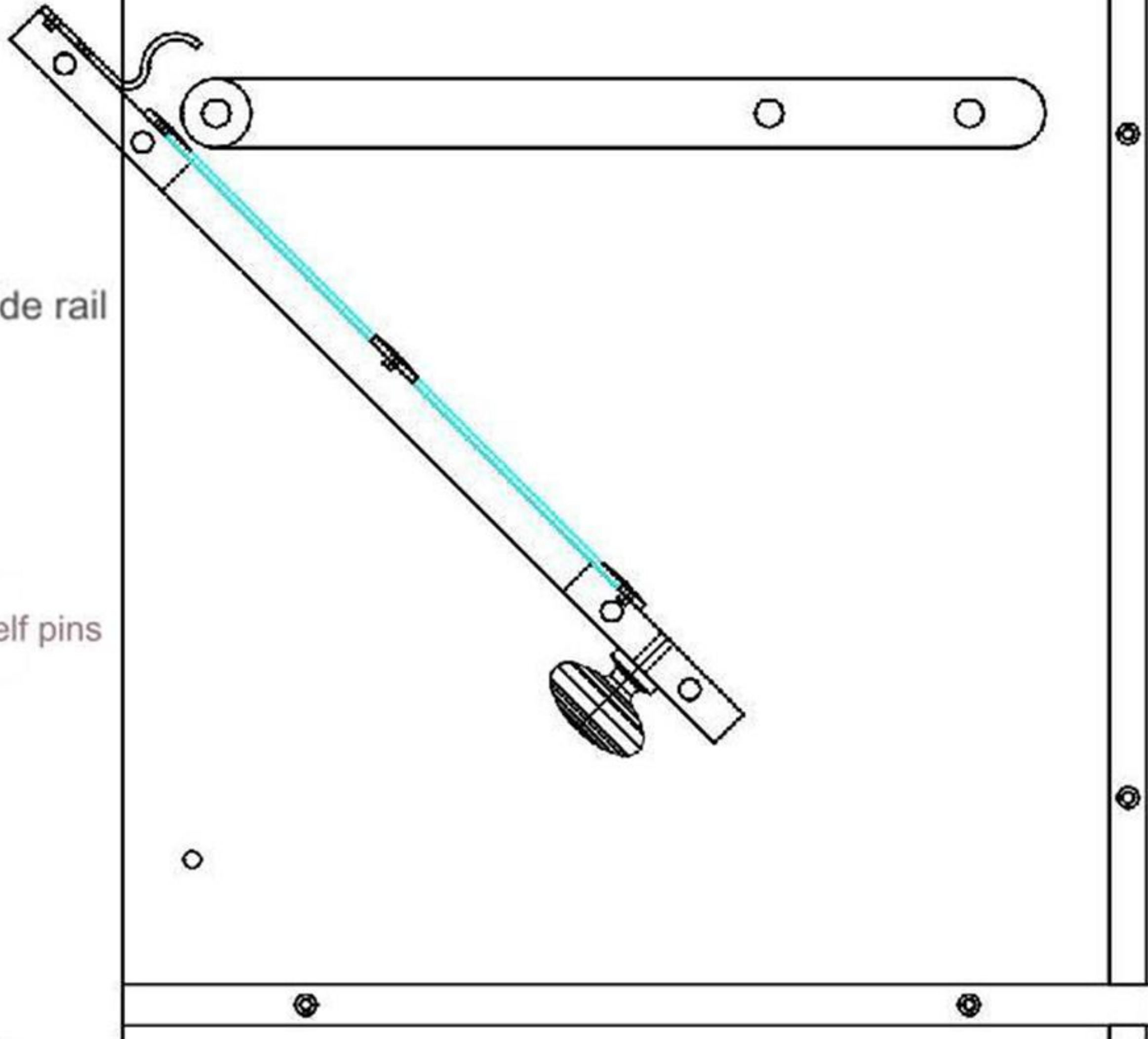
step 3

# Install door

Tilt bottom of door inwards

Just hang the mounting ears on the guide rail

Tip: Install the door first and then the iron shelf pins

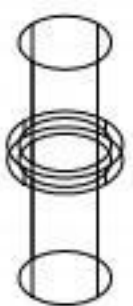


step 4

turn the door up

In the reserved hole on the side plate

Tuck in iron shelf pins



K0\*10

