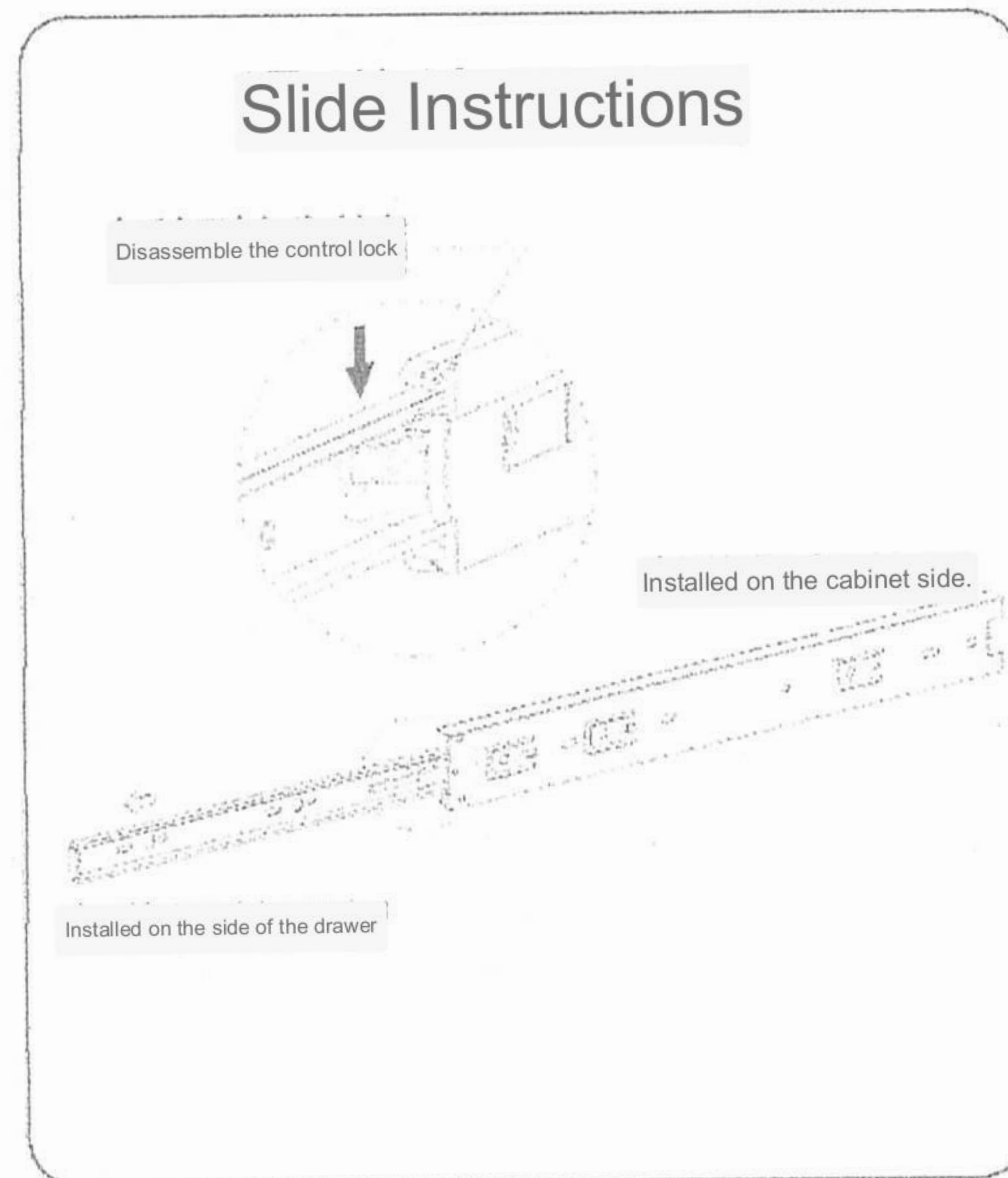
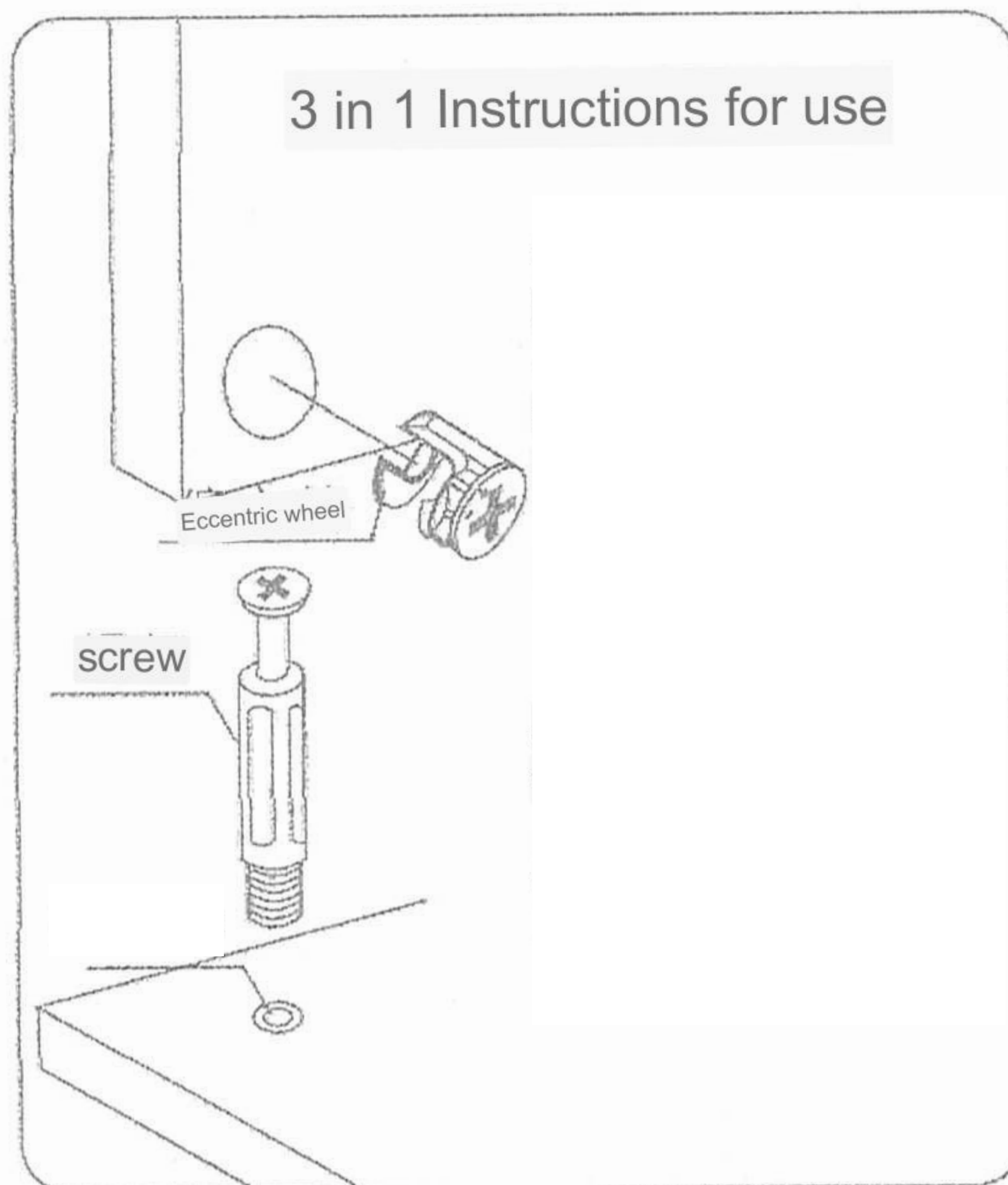
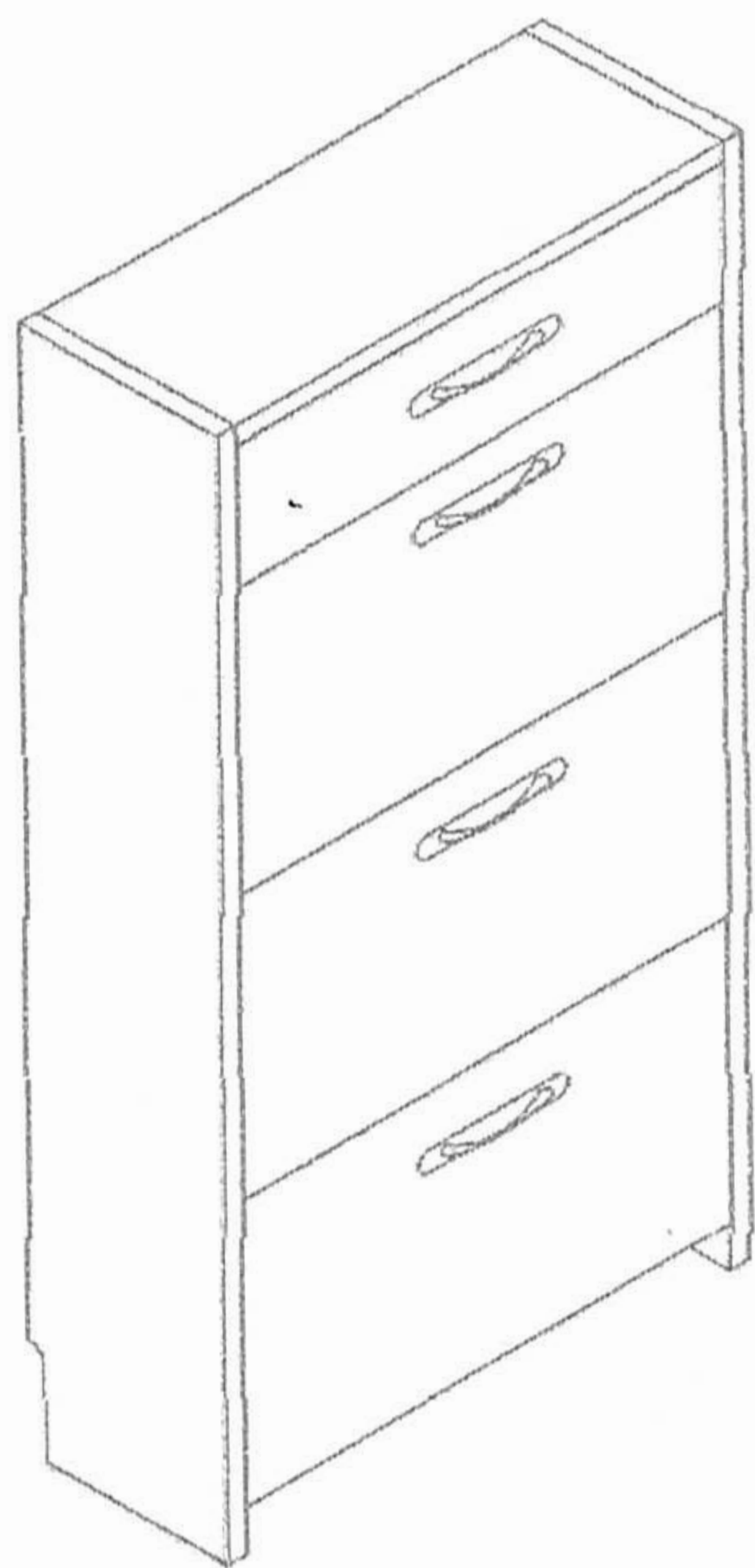
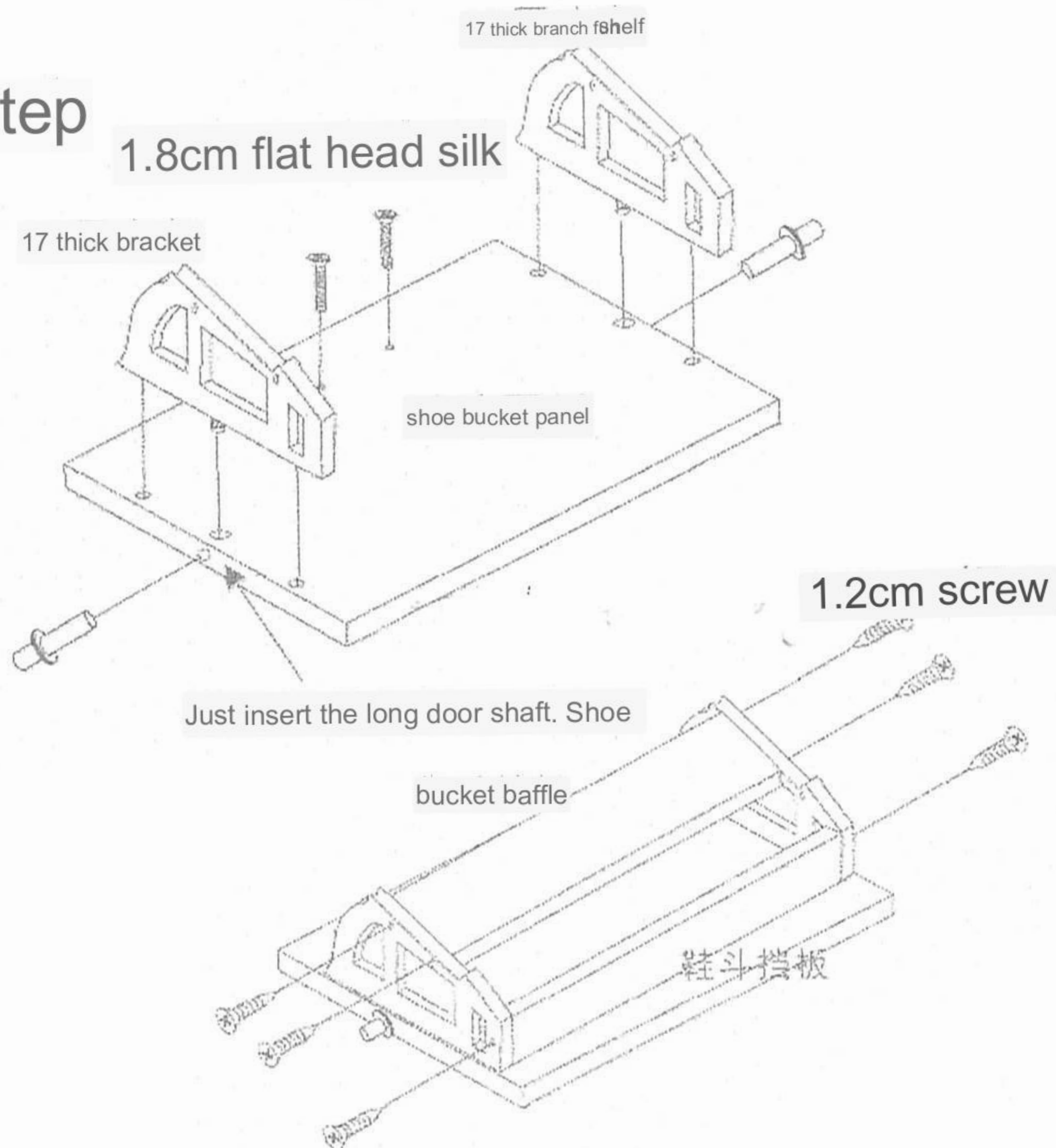


SOCE009

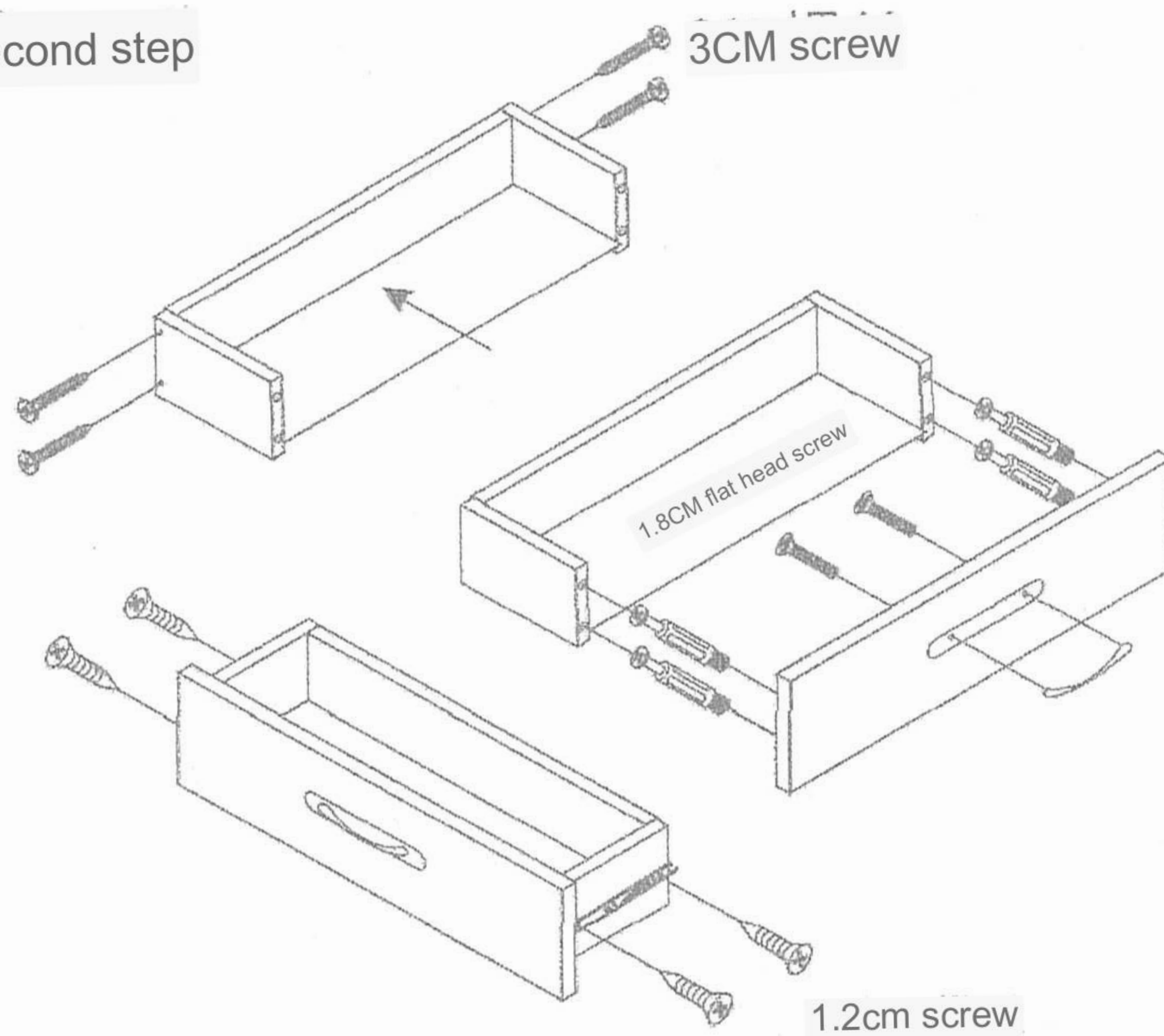
Installation diagram of 17 thick single drawer shoe cabinet



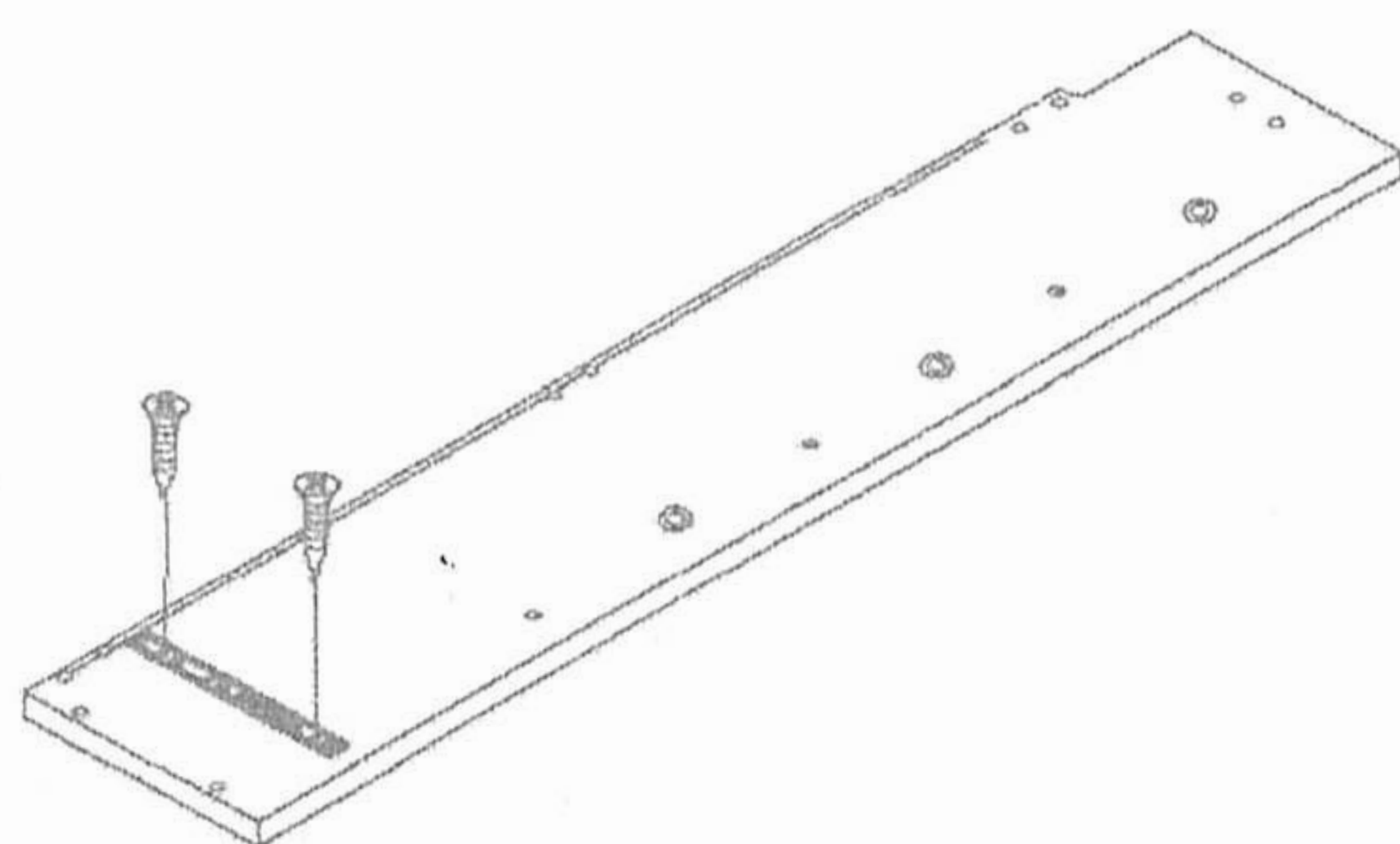
first step



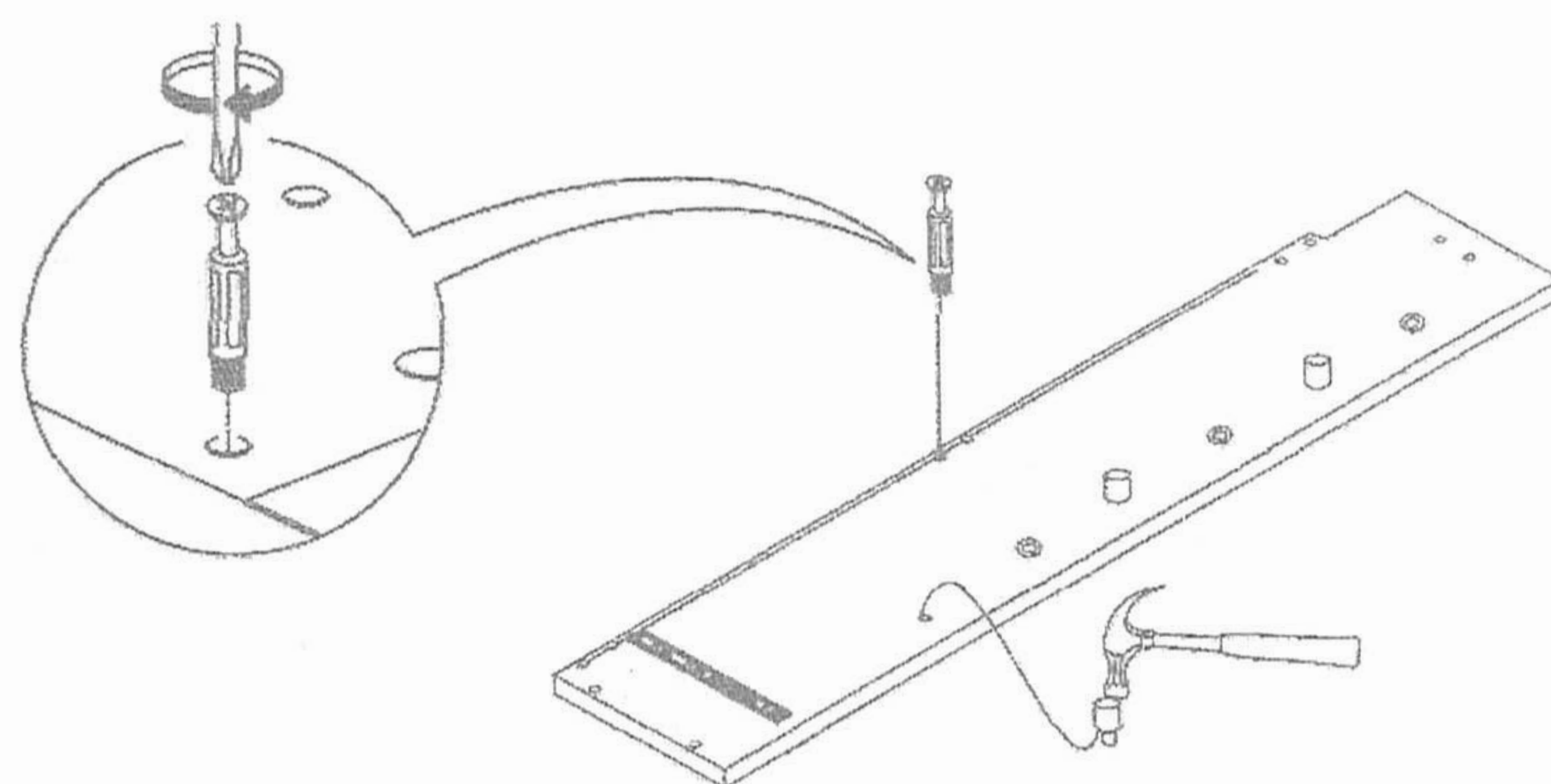
second step



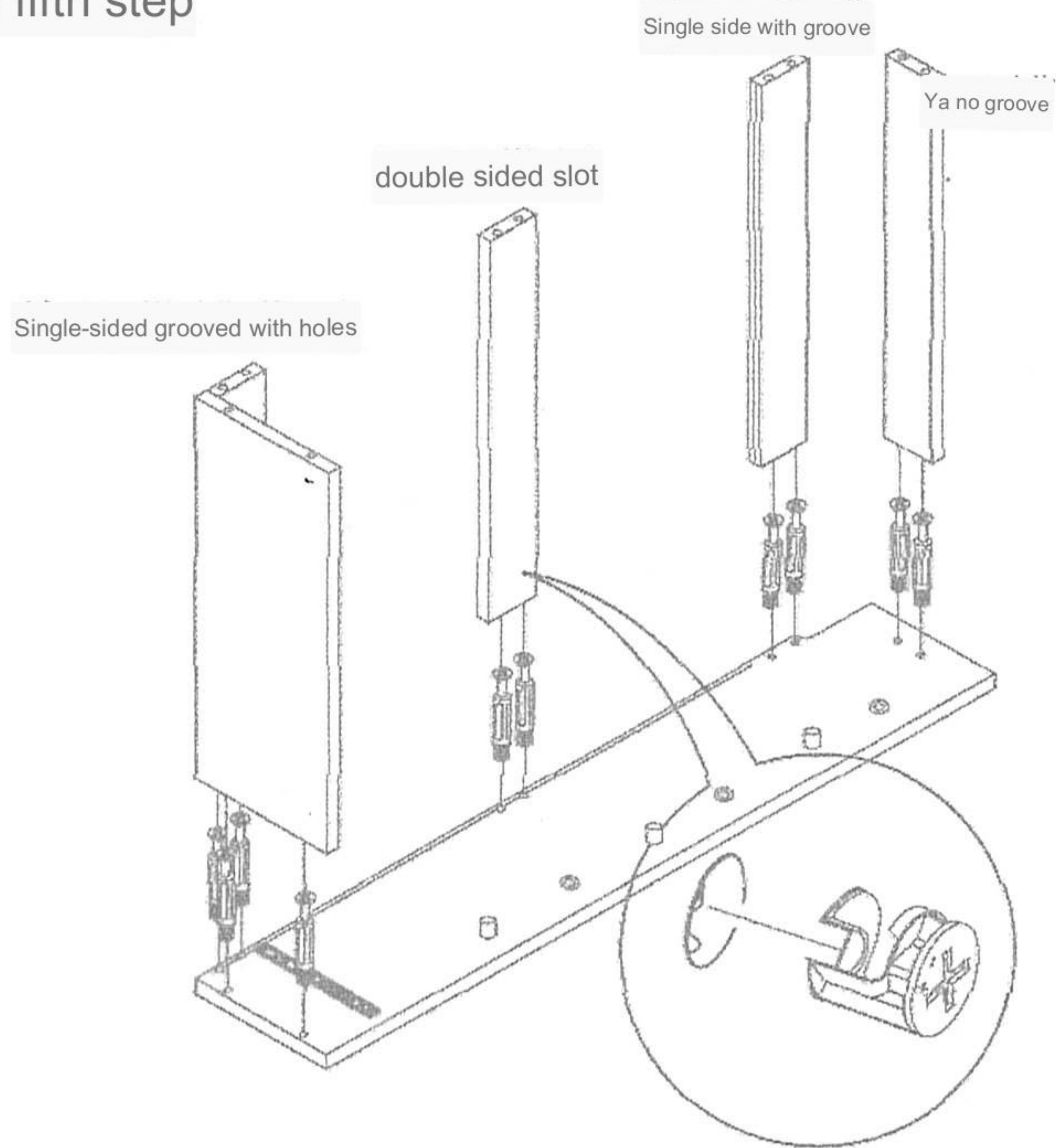
third step



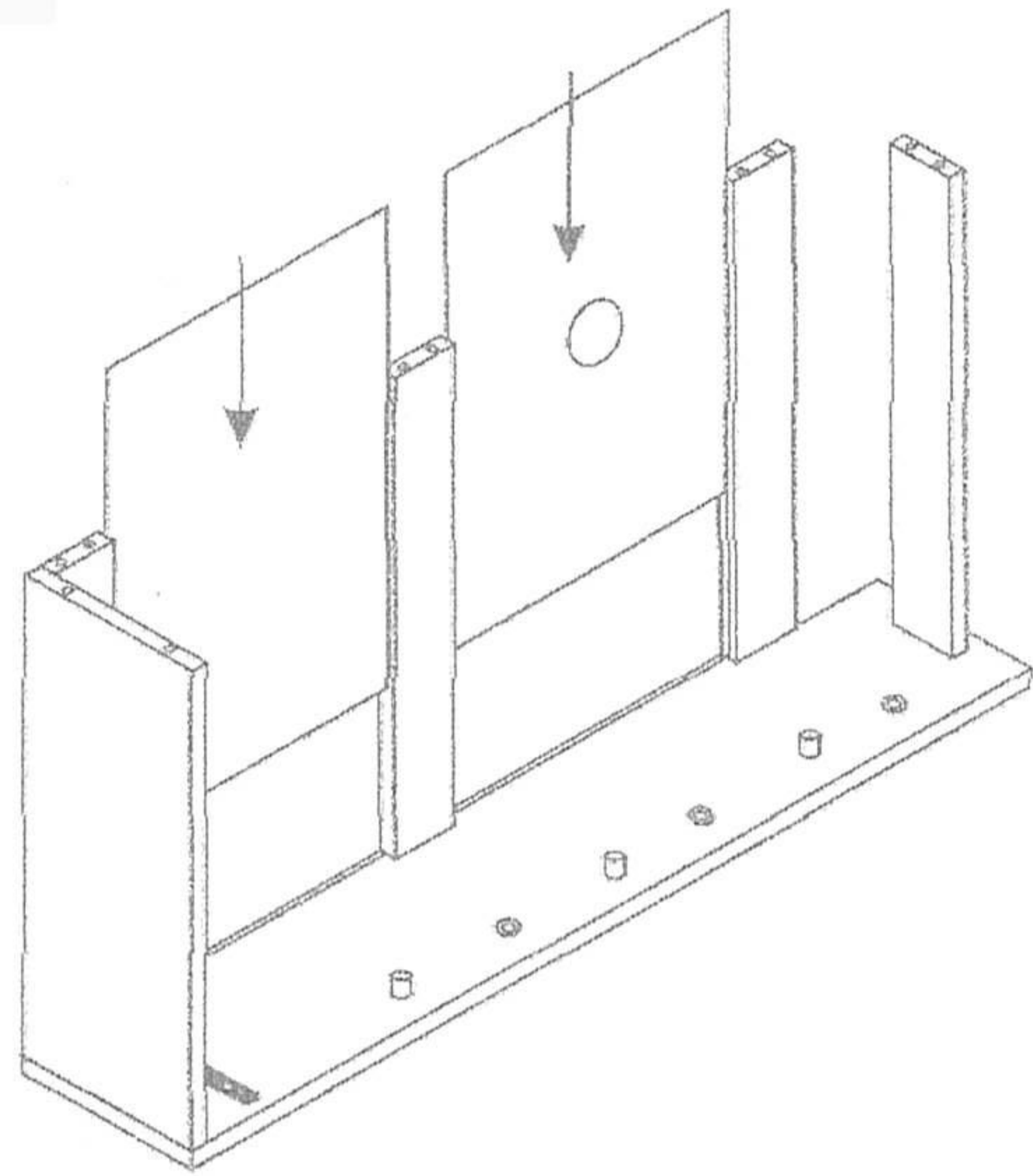
the fourth step



the fifth step

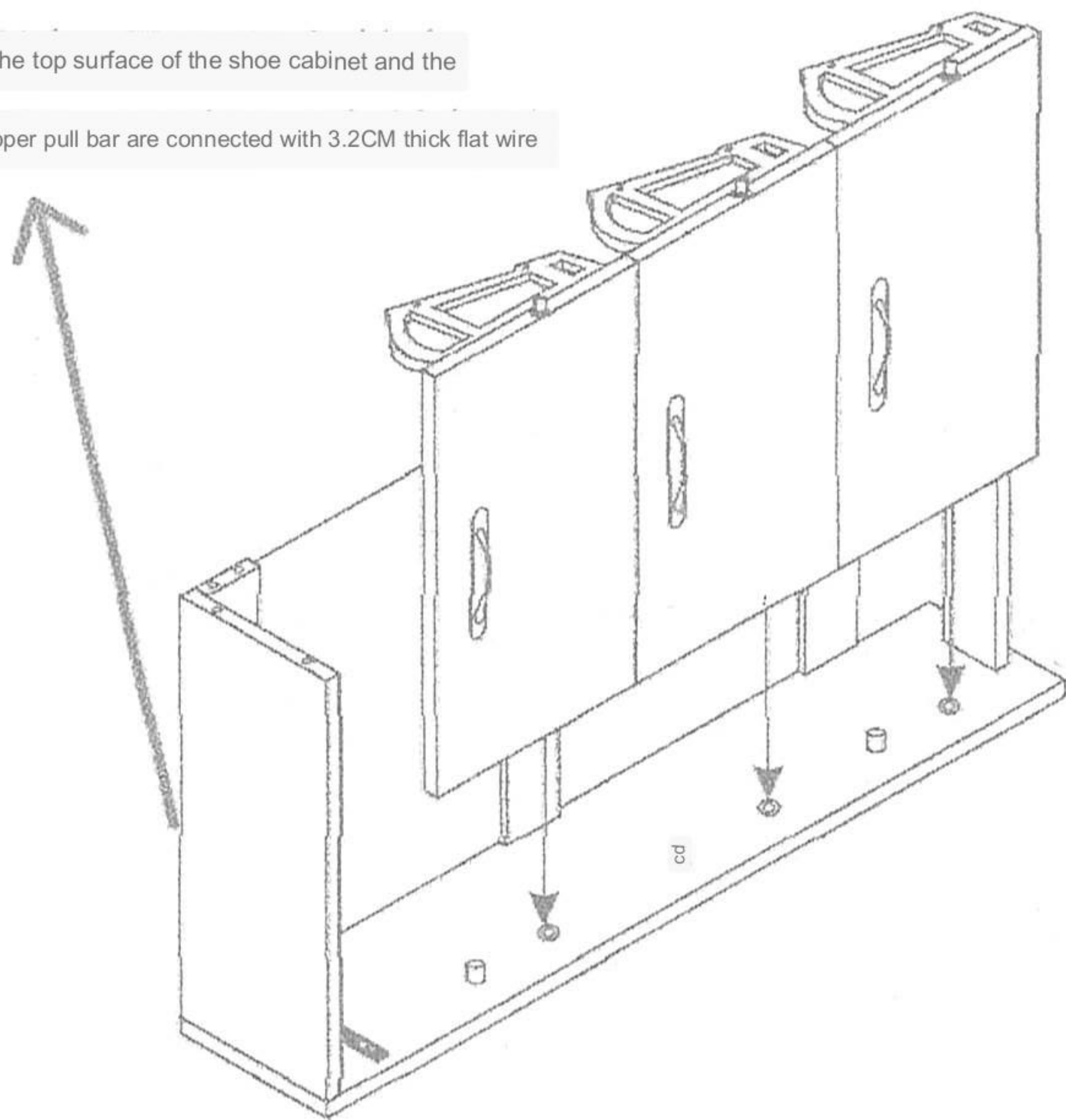


step six

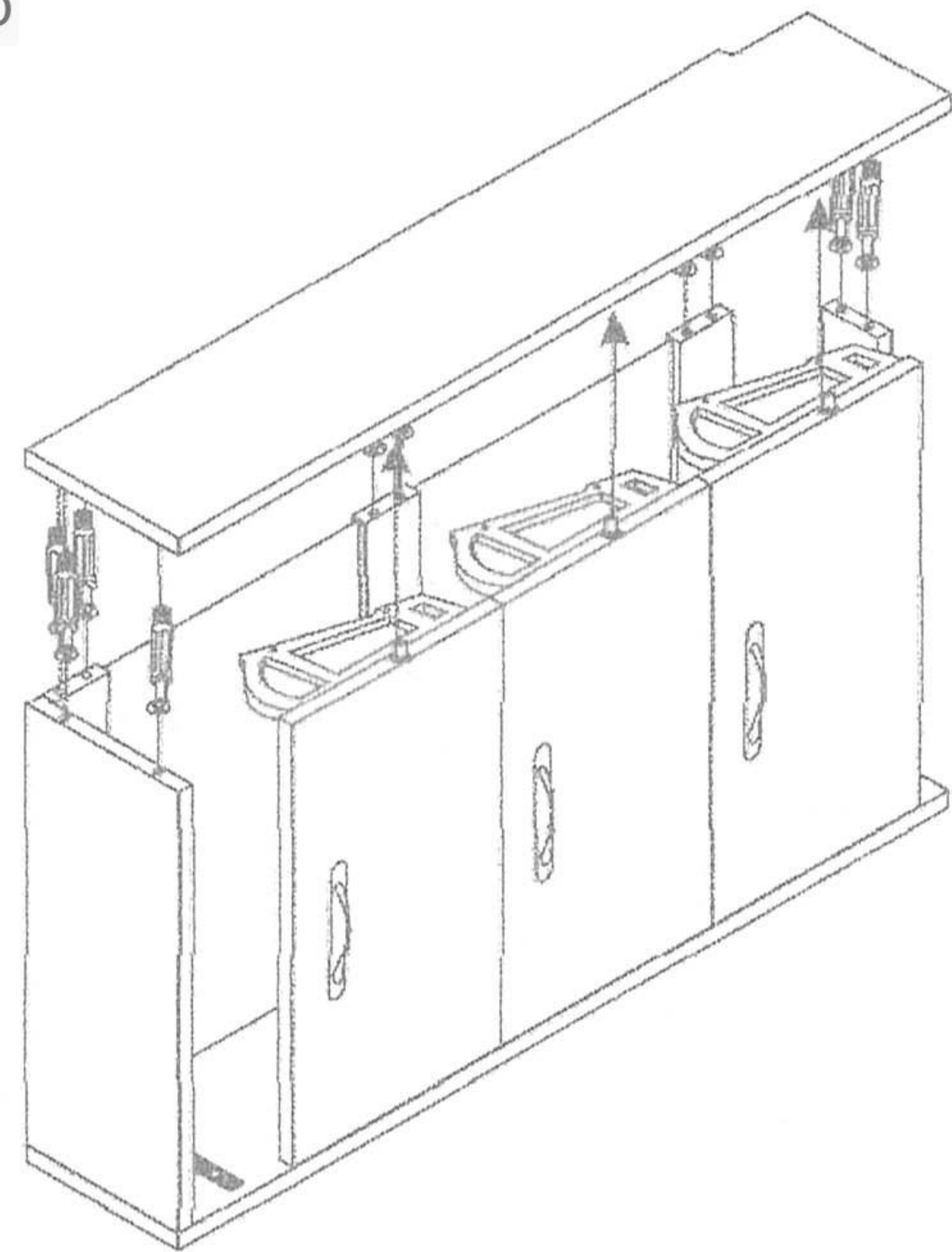


step seven

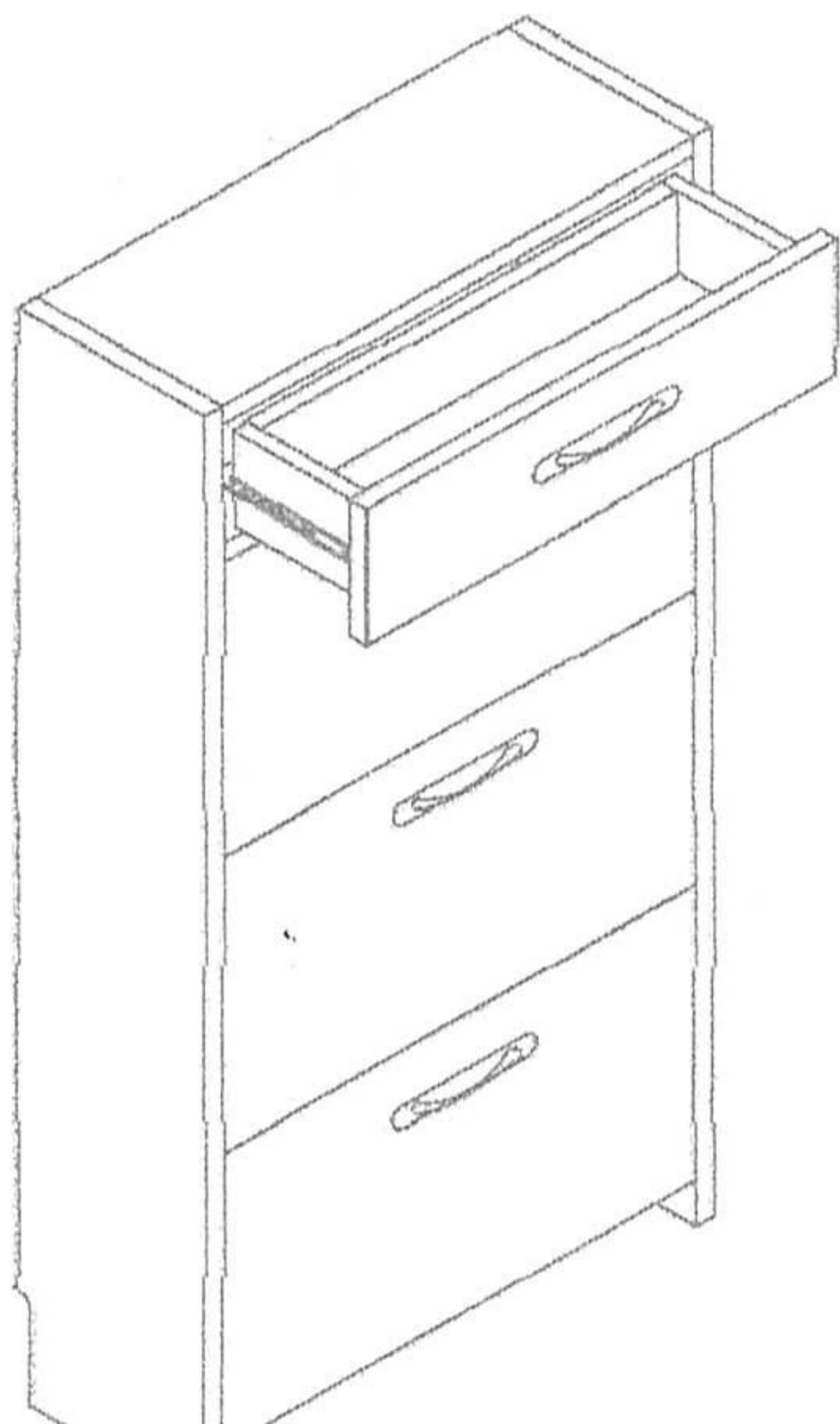
The top surface of the shoe cabinet and the upper pull bar are connected with 3.2CM thick flat wire



eighth step



Ninth step



tenth step

