

BS011 Installation Instruction



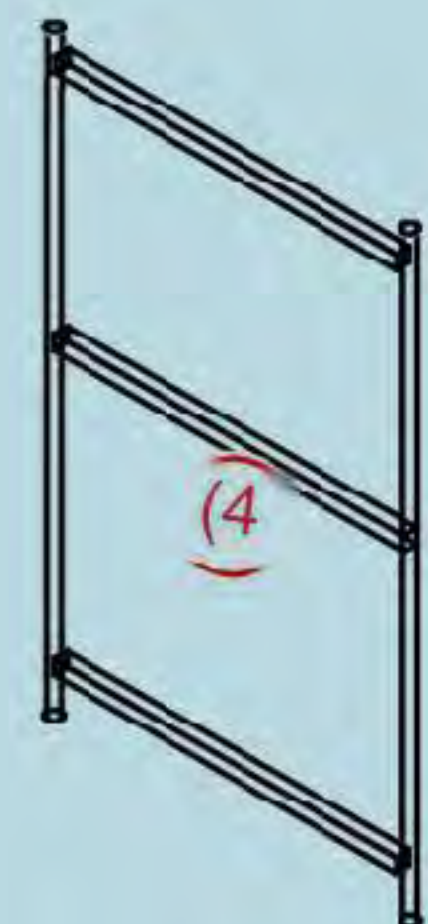
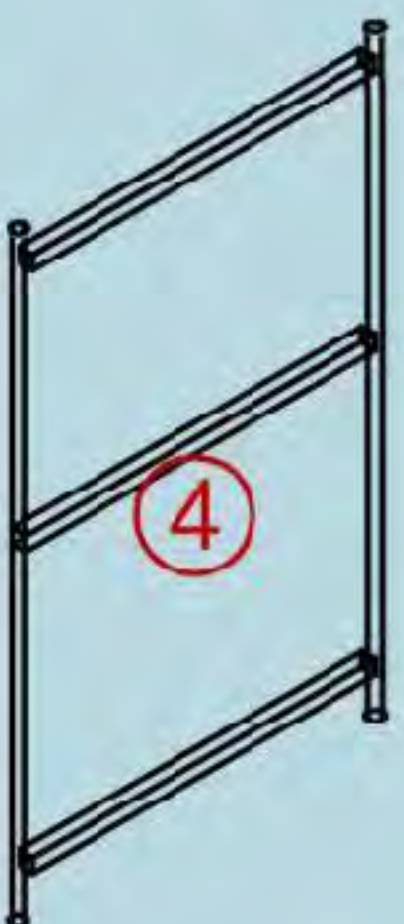
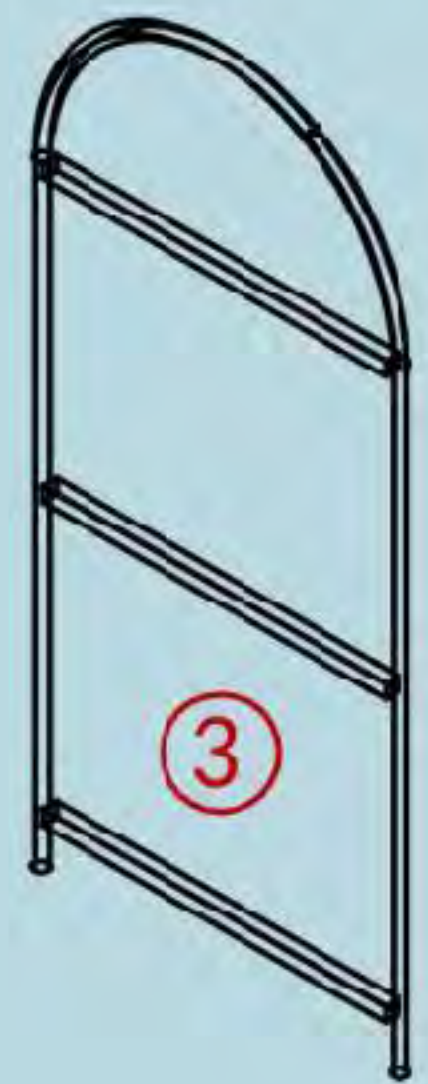
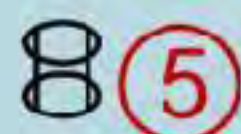
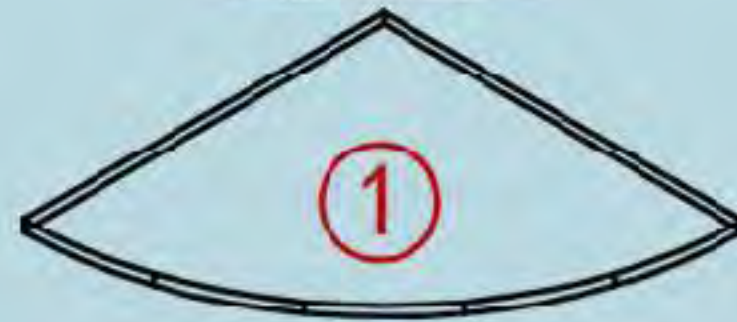
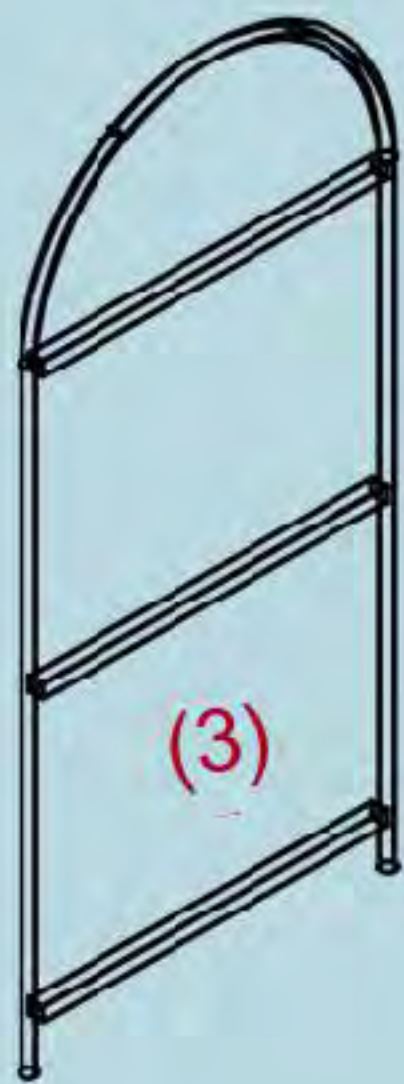
Please be sure to use a manual screwdriver and refrain from using an electric drill.

Product accessories and quantity

Installation of the lower half

Installation of the upper part

Overall partial installation



1. Product accessories and quantity (it is recommended to put more spare screws)

	
5*40 pointed screws	3.5*12 self-tapping screws
C1*26 (Contains 2 spares)	A1*5 (includes 1 spare)
	
Round bulkhead(16)	screwdriver
Q17*5 (includes 1 spare)	1

Kind tips:

1. When installing, please refer to the drawings to distinguish the boards.

The color of the product is not subject to the instructions;

2. Tighten the screws 70%, and then tighten them after everything is completed!

3. Some boards have a red side, and the red side faces down or inward.

4. Please read all the drawings before proceeding with installation.

5. If there are extra screw accessories, they are spare screws provided by the manufacturer!

2. Start the installation: install the lower half

<1>



② Base plate



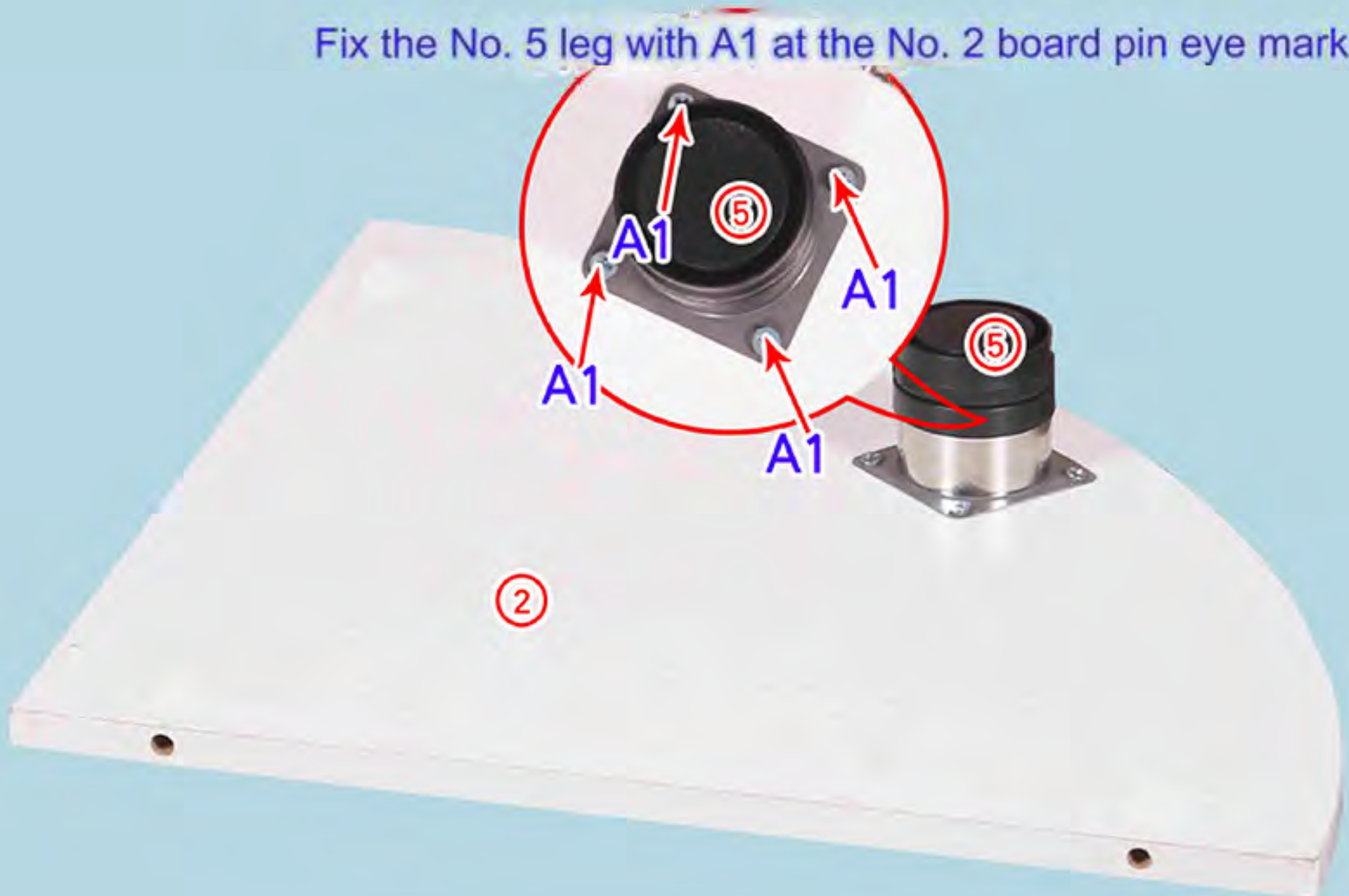
⑤ Metal legs



3.5*12 self-tapping screws

A1*4

Fix the No. 5 leg with A1 at the No. 2 board pin eye mark.





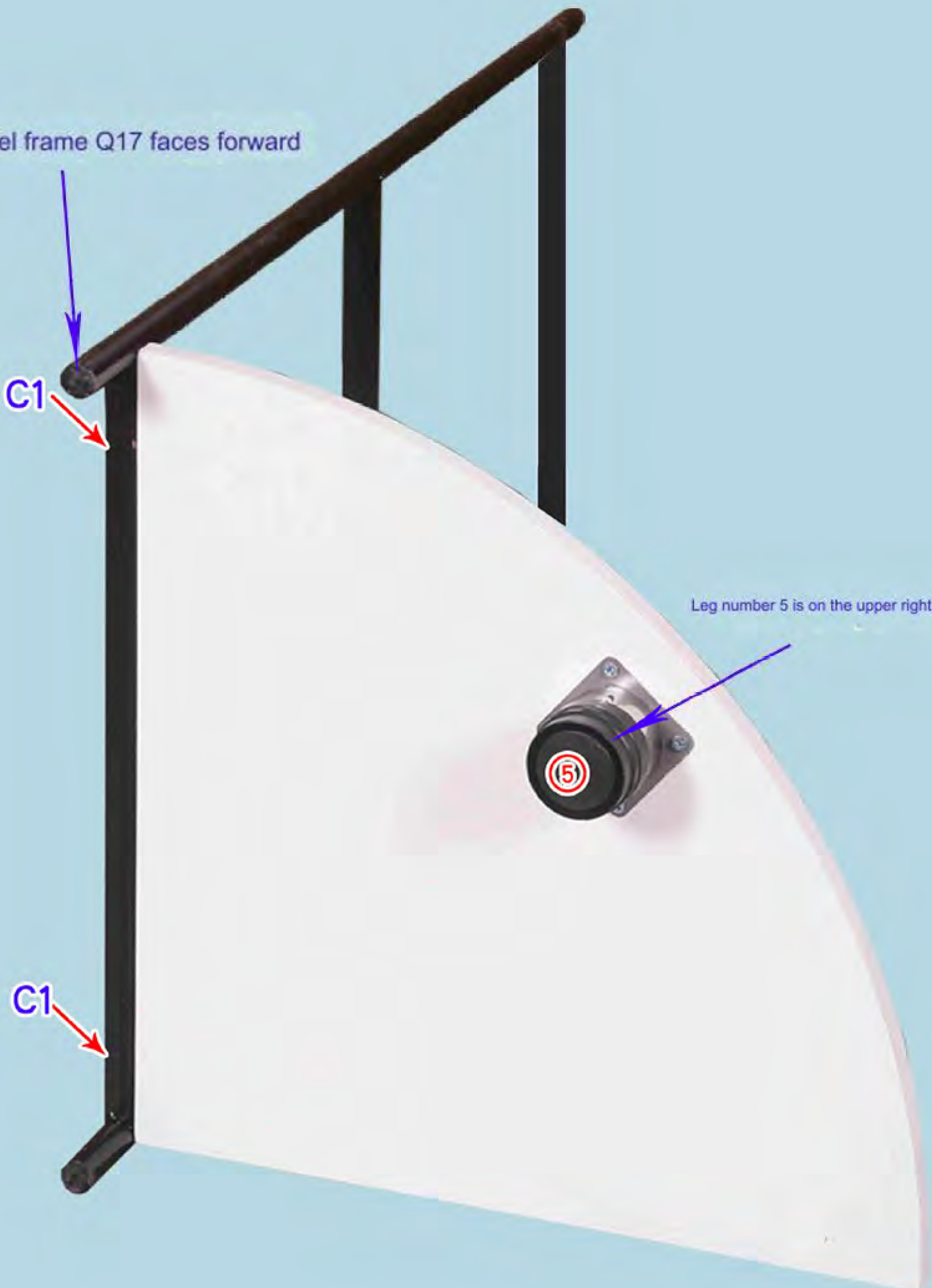

5*40 pointed screws
C1*2

Round bulkhead
Q17*4



Insert 017 into the bottom of No. 4 steel frame

No. 4 steel frame Q17 faces forward



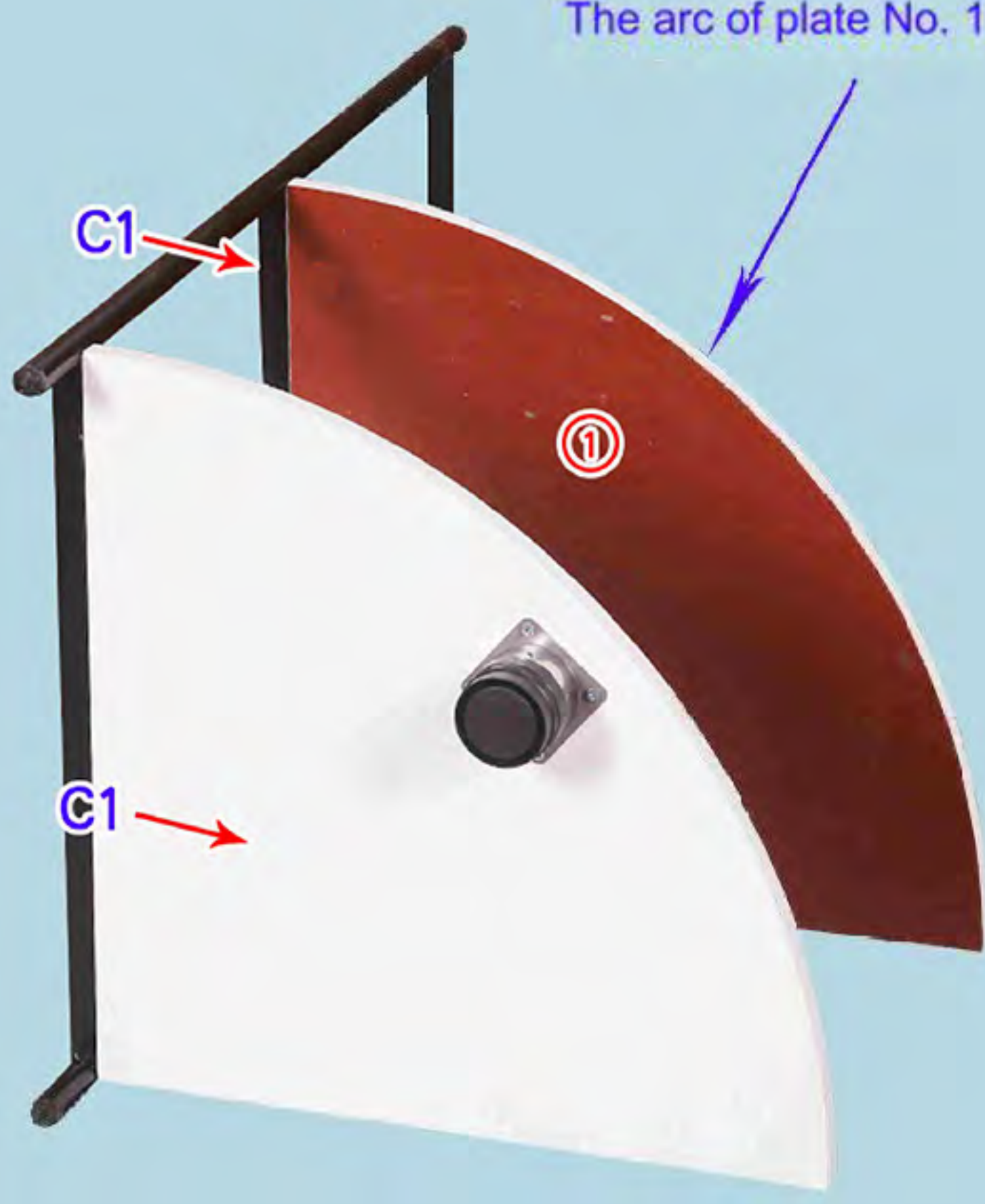
<3>



① Laminate


5*40 pointed screws
C1*2

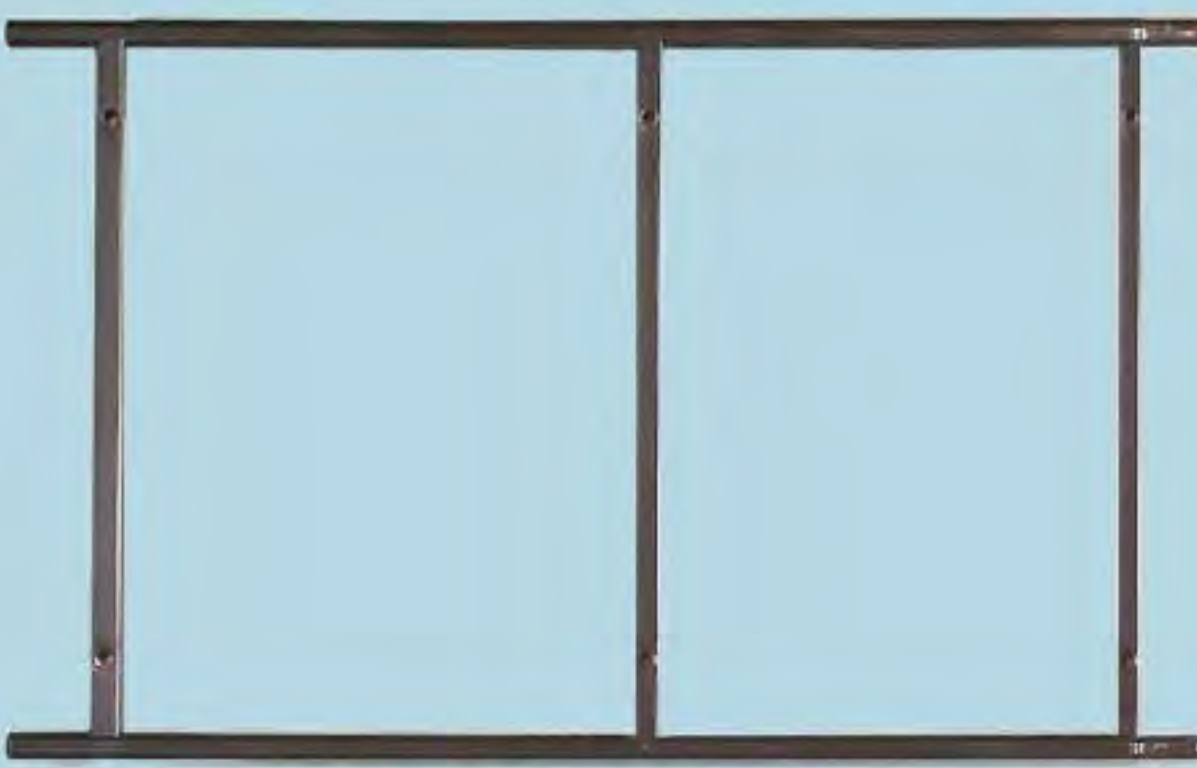
The arc of plate No. 1 is up and to the right



<4> Overall flip



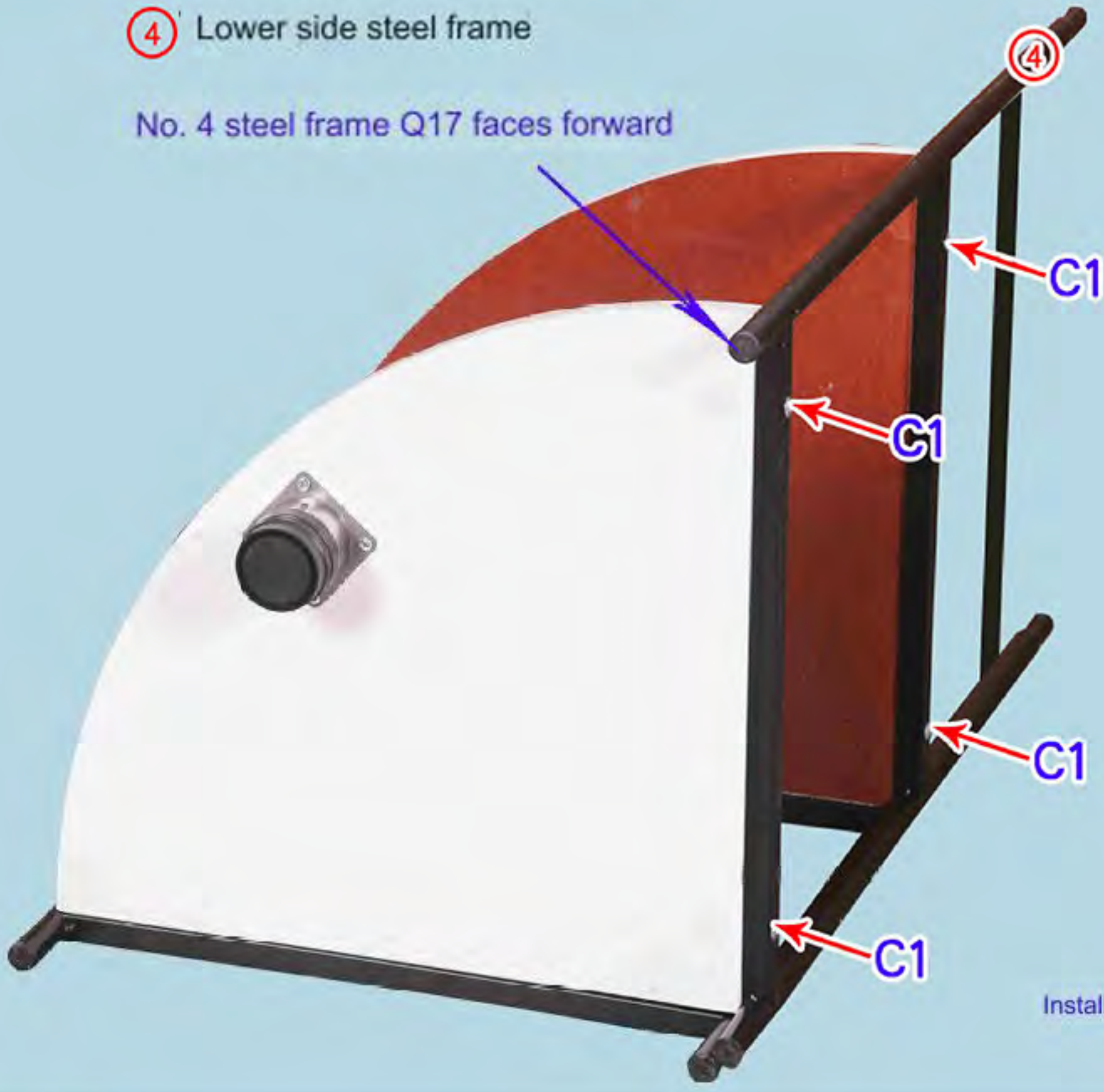
<5>




5*40 pointed screws
C1*6

④ Lower side steel frame

No. 4 steel frame Q17 faces forward



Install the third board in the same way

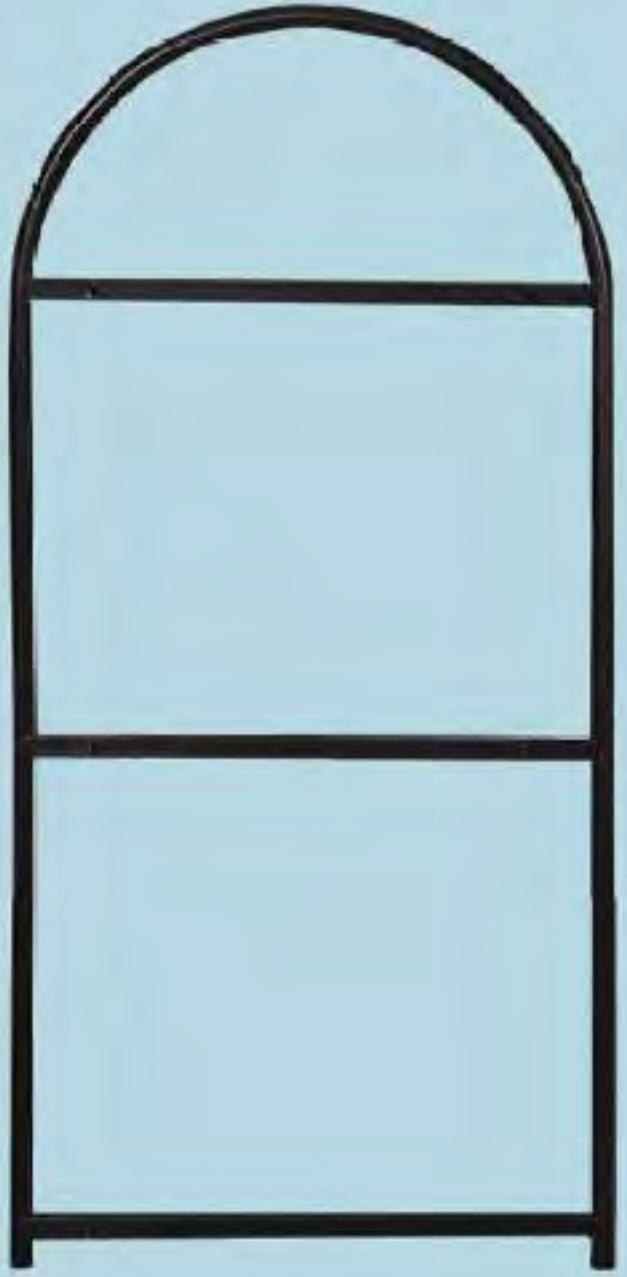
<6> Overall alignment



The lower part is installed

3. Installation of the upper part

<1>

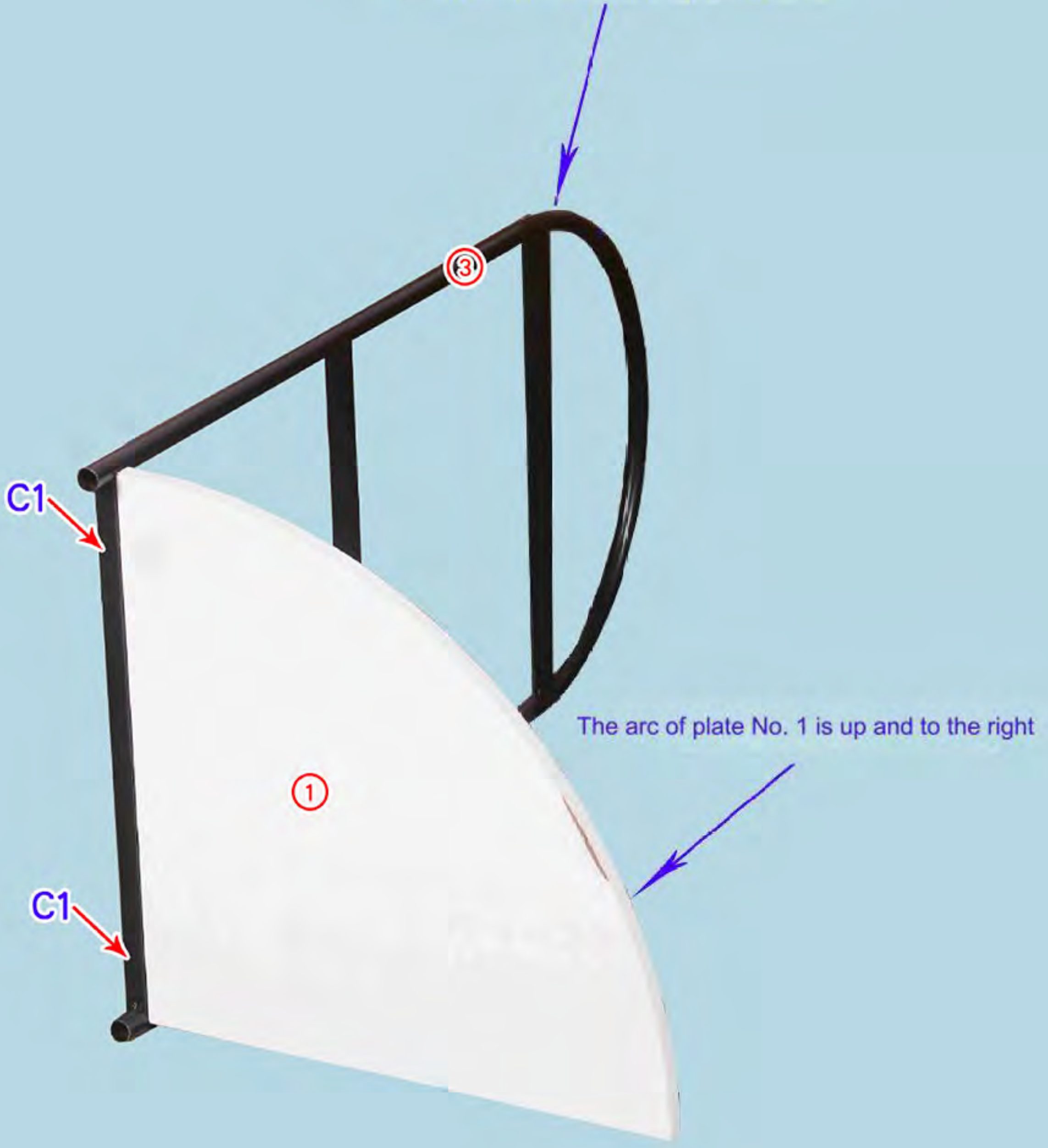


③ Upper side steel frame



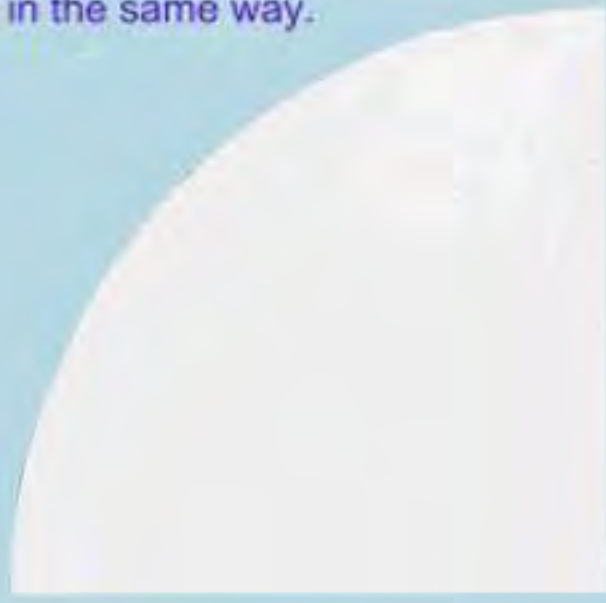
① Laminate

No. 3 steel frame arc facing backward



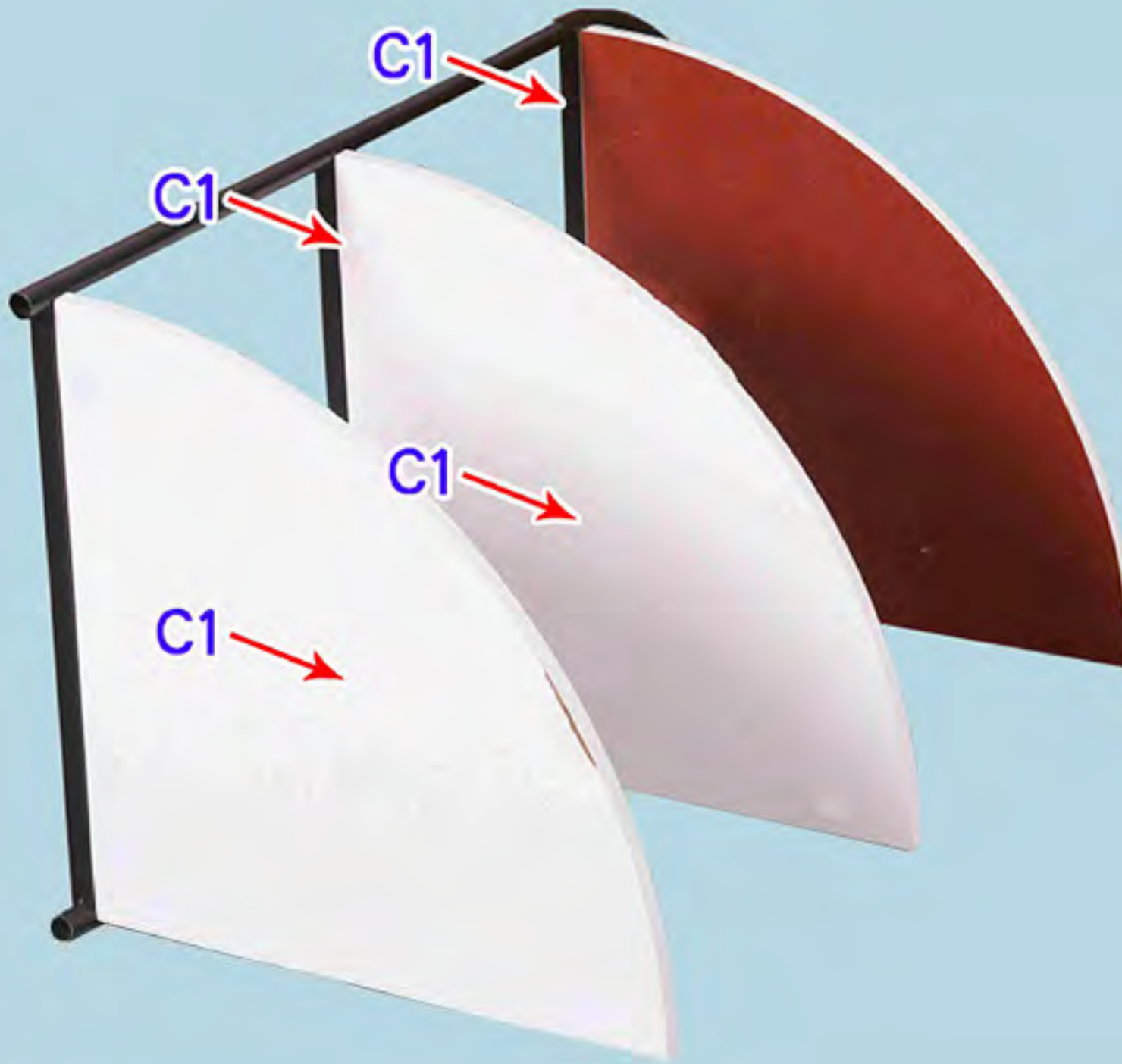
<2>

Install the remaining No. 1 board in the same way.




5*40 pointed screws
C1*4

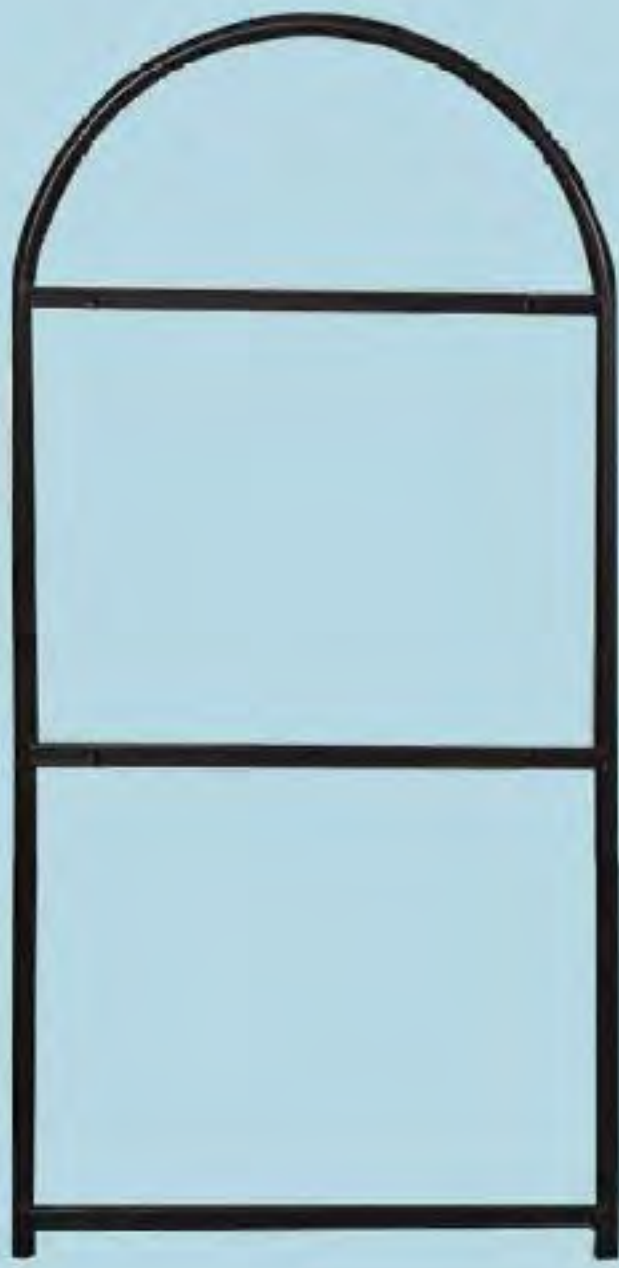
① Laminate



<3>

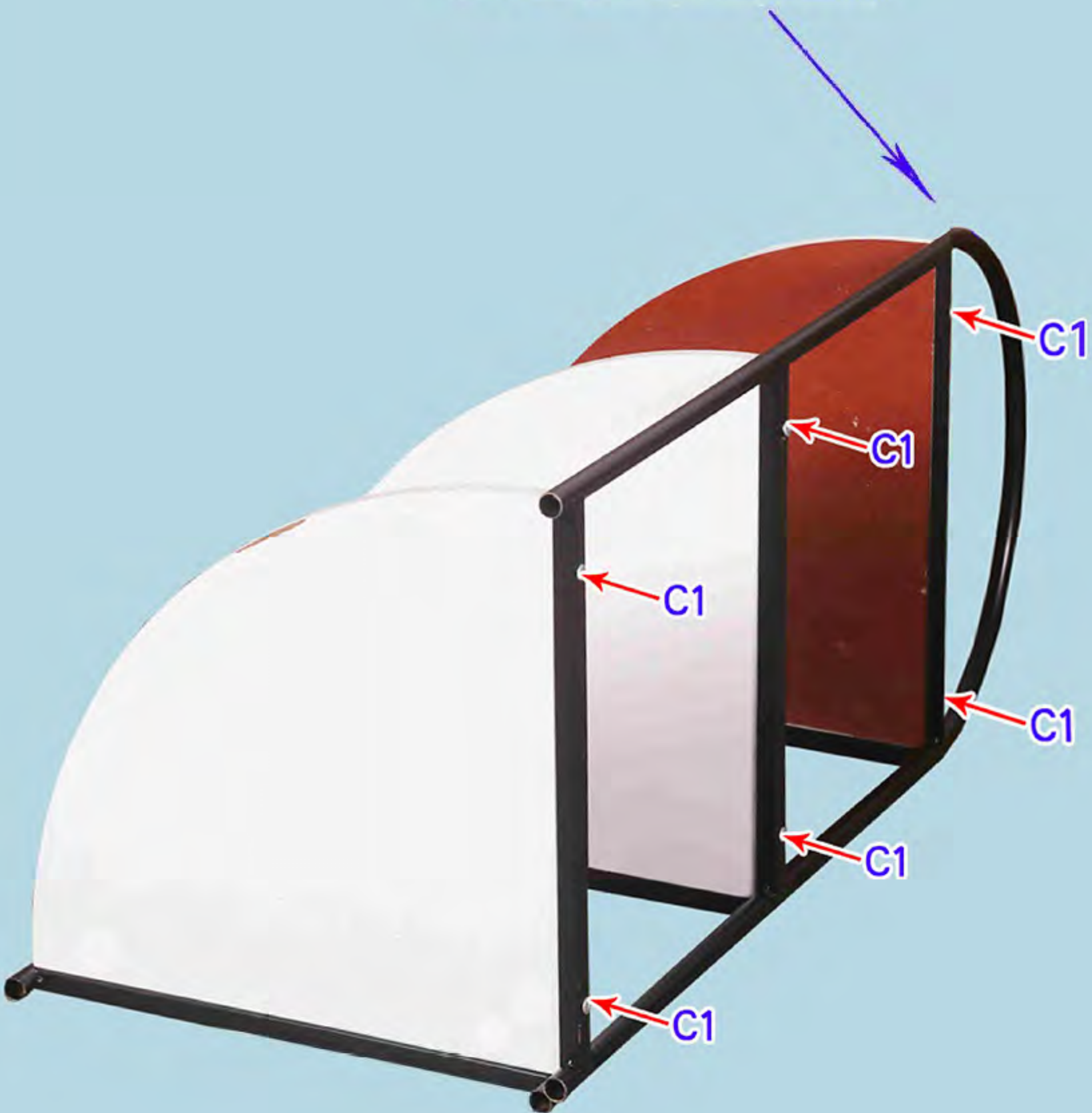
Whole flip





③ Upper steel frame

No. 3 steel frame arc facing backward



The upper part is installed

4. Overall partial installation

<1>

Align No. 3 steel frame with No. 4 steel frame and insert it

