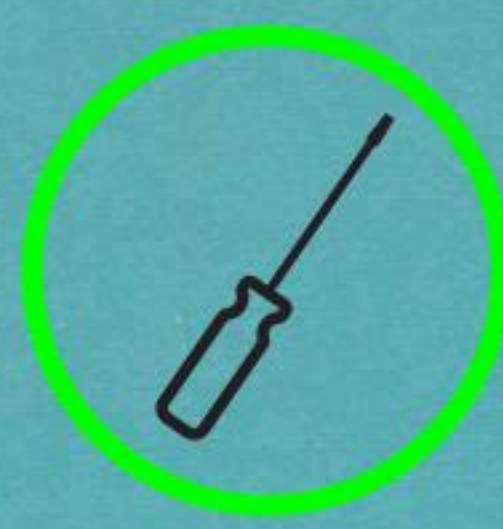


SOCE037-120CM Installation instructions.

Please be sure to use a manual screwdriver and refrain from using an electric drill.



Eccentric rod + eccentric wheel	5*40 pointed screws	Small Nails	3.5*14 self-tapping screws	Tall hinge	Cranked hinge
D14*10	C1*18	K20*10	A2*56	F2*4	F1*2

Eccentric installation principle:

1 Screw the eccentric screw onto the plate

2 Find the corresponding board and insert it

3 Rotate the board 180° clockwise to lock it

4 Insert the eccentric bolt into the round hole

Board part:

Missing numbers don't mean parts are missing. Just match the numbers to find and install the right parts

1 Cover plate

2 Left Panel

3 Middle Vertical Panel

4 Right Panel

5 Base Plate

6 Pull Board

7 x2 Large Shelf Panel

8 Shelf

9 Shelf

Insert A by screwing it in from both sides

Install tall hinges on the left and right door panels, and Cranked hinge on the middle door panel

Left Door Panel (10) Right Door Panel (11) Middle Door Panel (12) Back Panel (13) Legs (14x5)

<1>

Large Shelf Panel (8)

The holes should face inward and be near the bottom

Middle Shelf Vertical Panel (3)

Eccentric wheel D14*4

<2> The Eccentric rod should be on the left


Cover plate (1)

Make sure the holes are facing forward

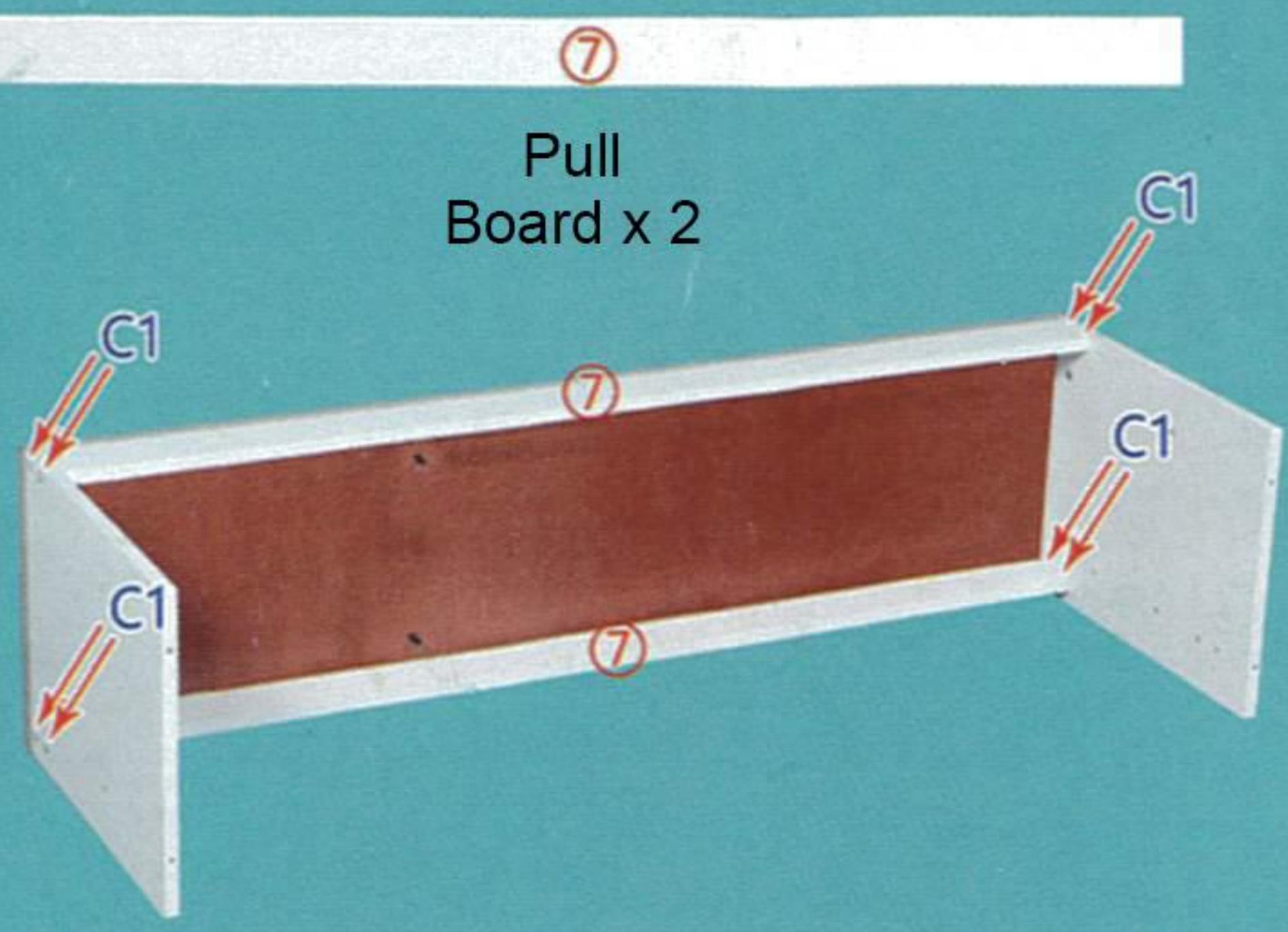
Left Panel (2) Right Panel (2)

Eccentric wheel D14*4



<3>

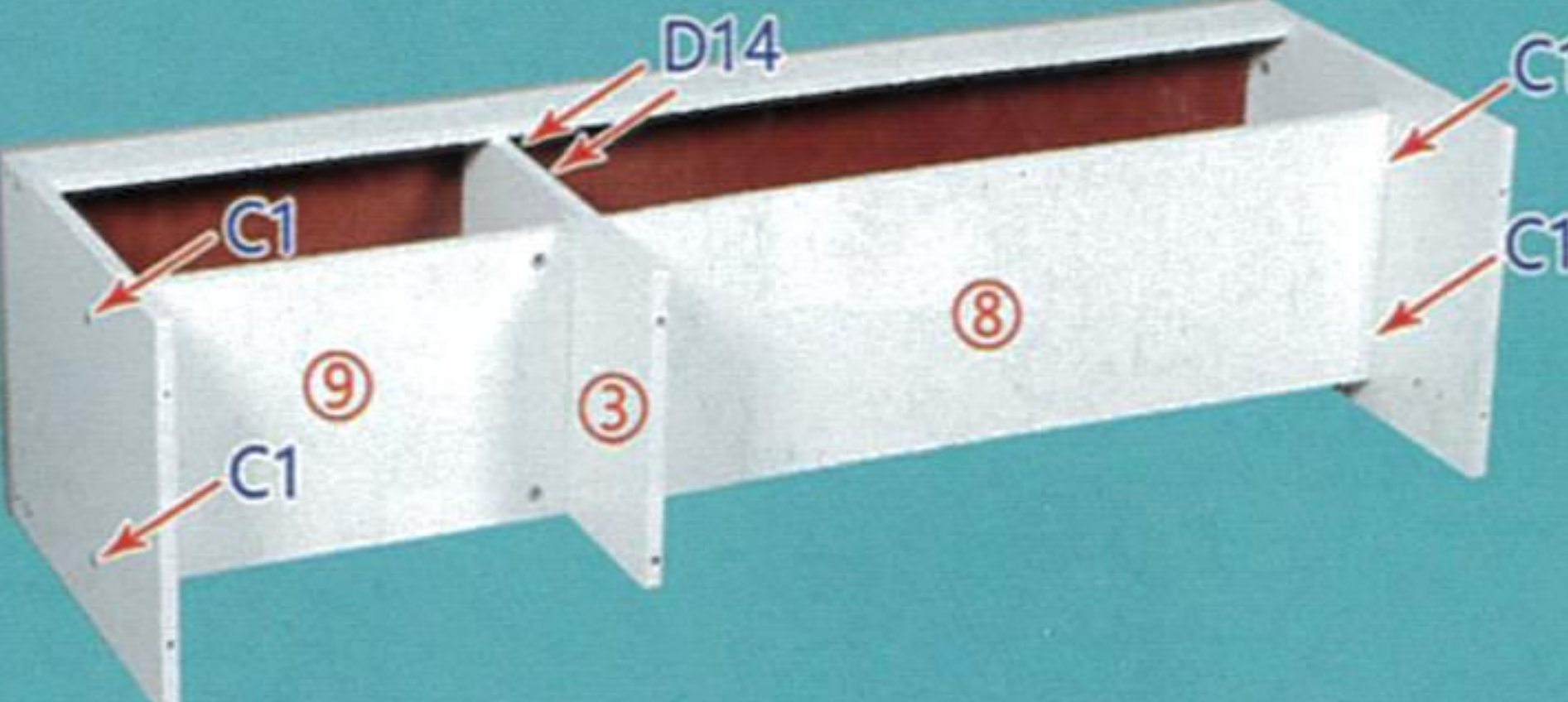

5*40 pointed screws
C1*4

Pull Board x 2




<4>


	
Eccentric wheel	5*40 pointed screws
D14*2	C1*4



<8> Overall alignment

Install tall hinges on the left and right door panels, and Cranked hinge on the middle door panel.



3.5*14 self-tapping screws
A2*24



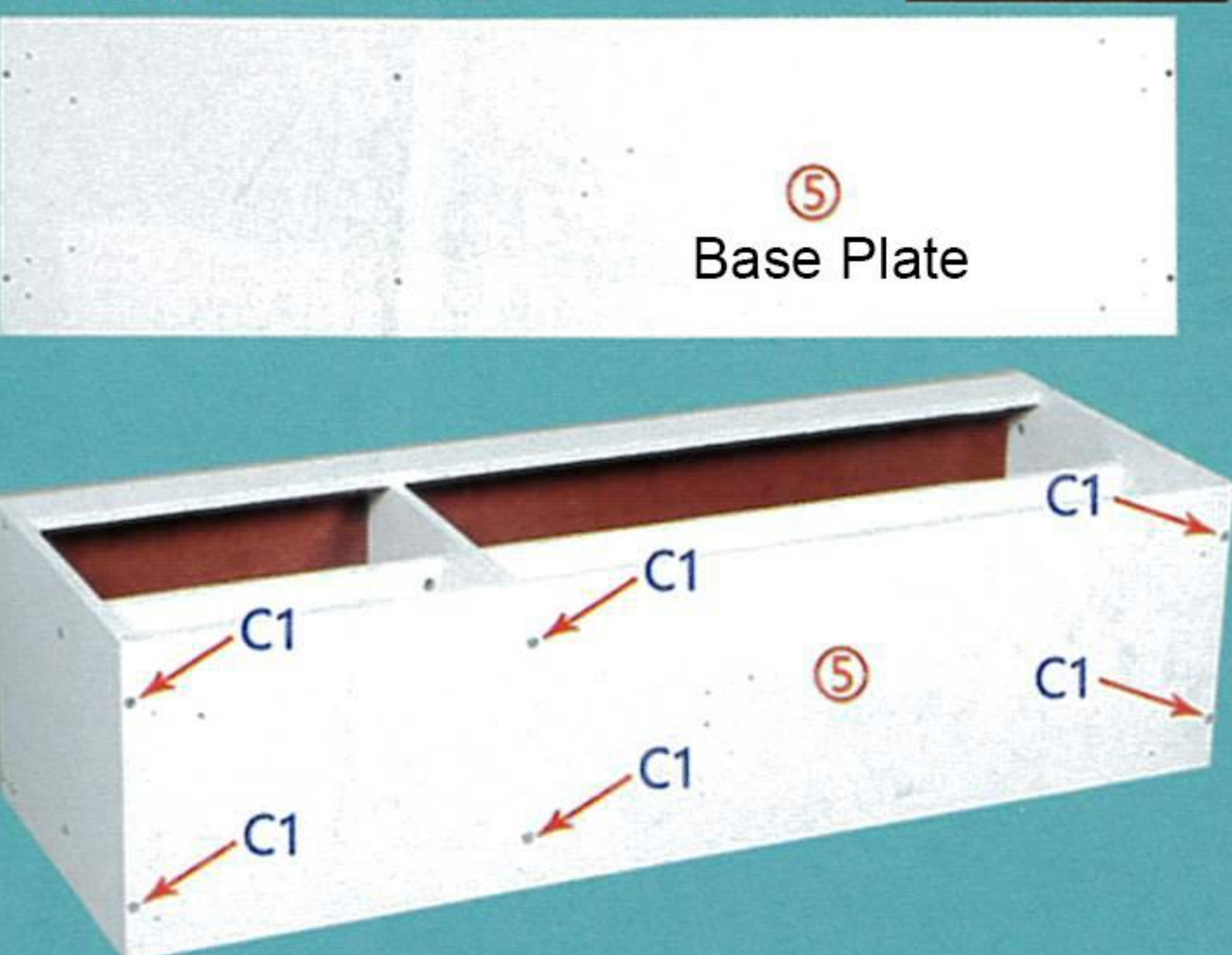
The location for installing the calibration chain is marked with a pinhole on the board. Use the smallest self-tapping screw to fix it. First tighten the two screws and wait for the gate to be adjusted. Then enter all screws.

<5>


Make sure the holes are facing forward


5*40 pointed screws
C1*4

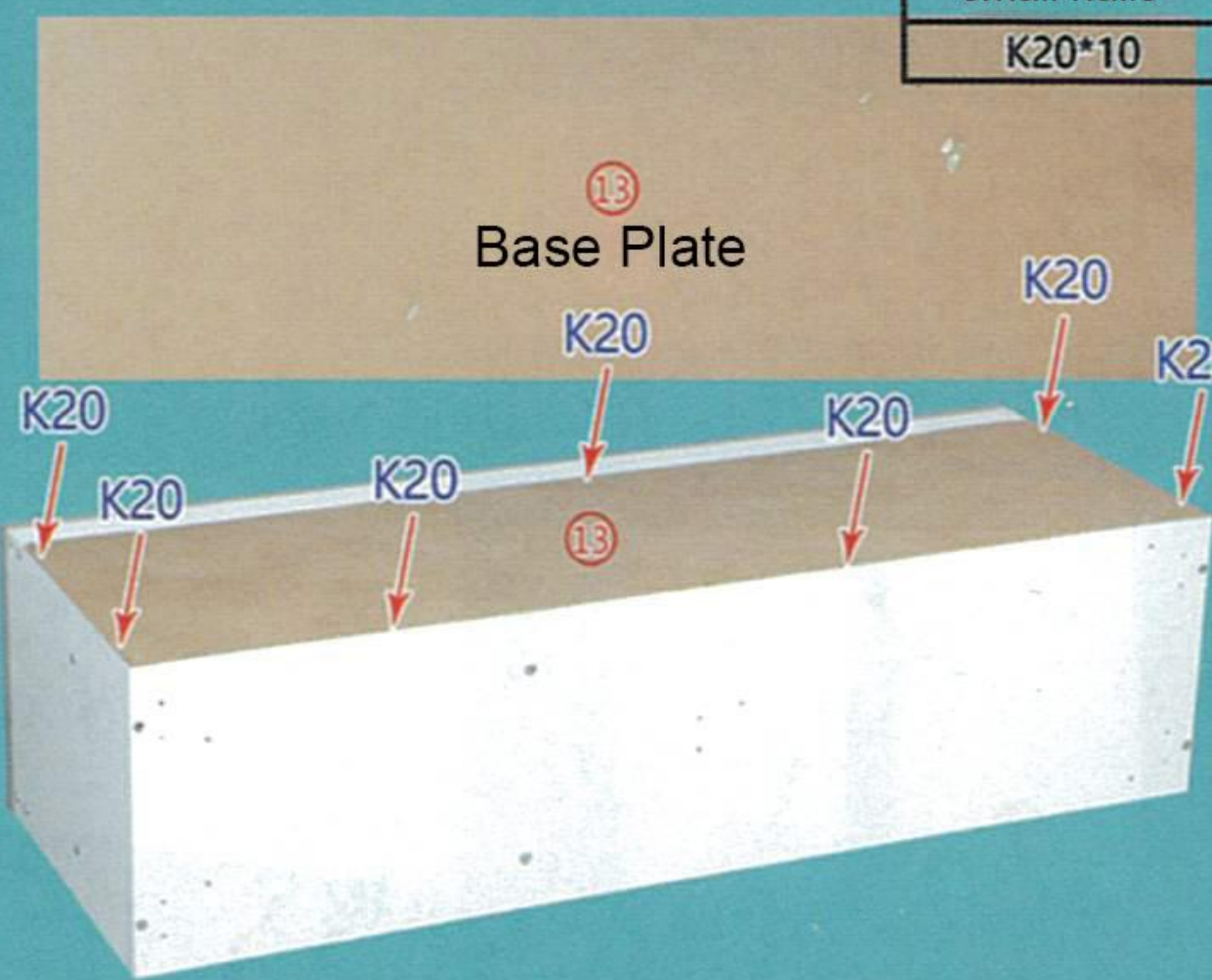
Base Plate




<6>


small nails
K20*10

Base Plate




<9>

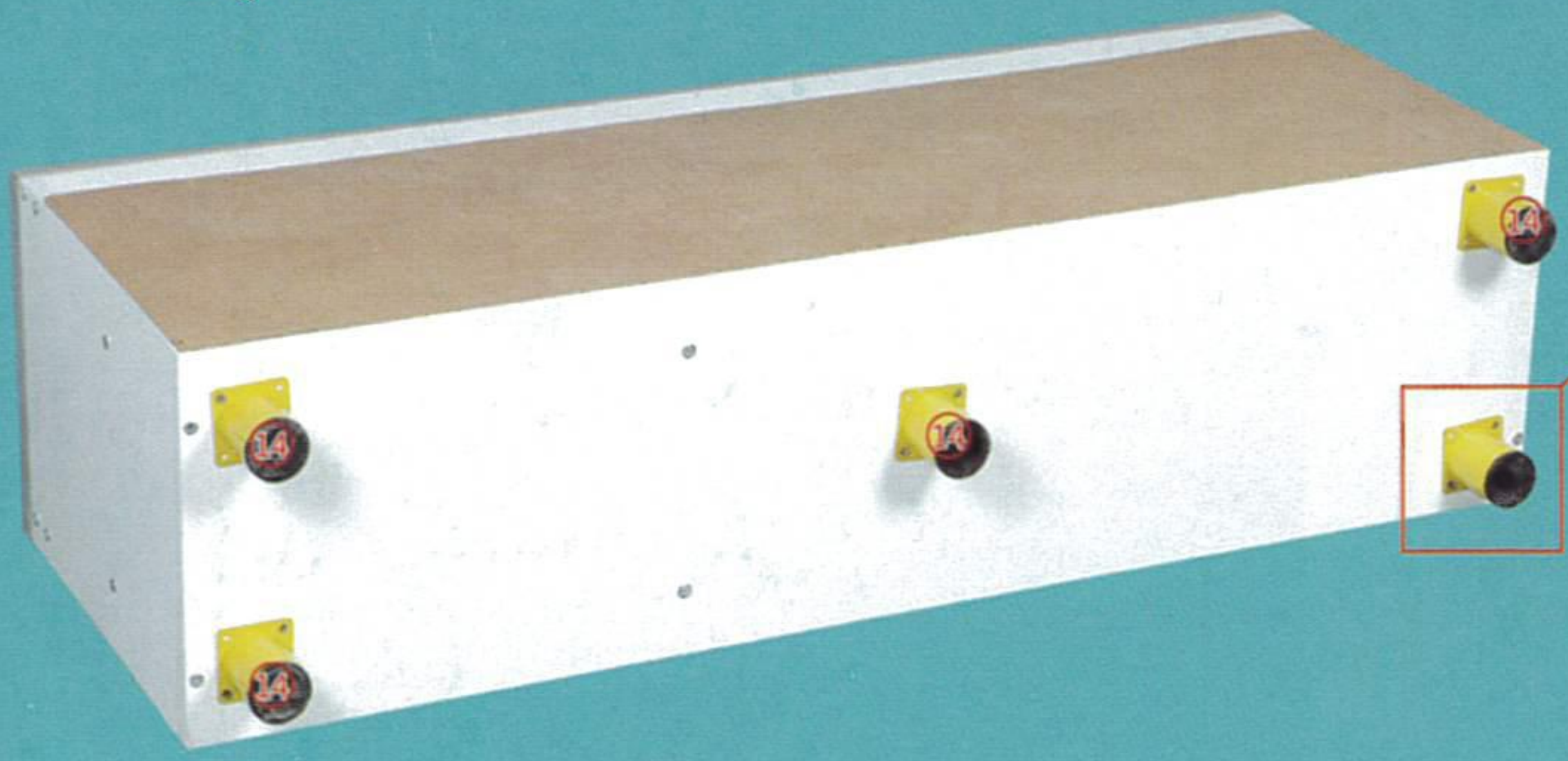
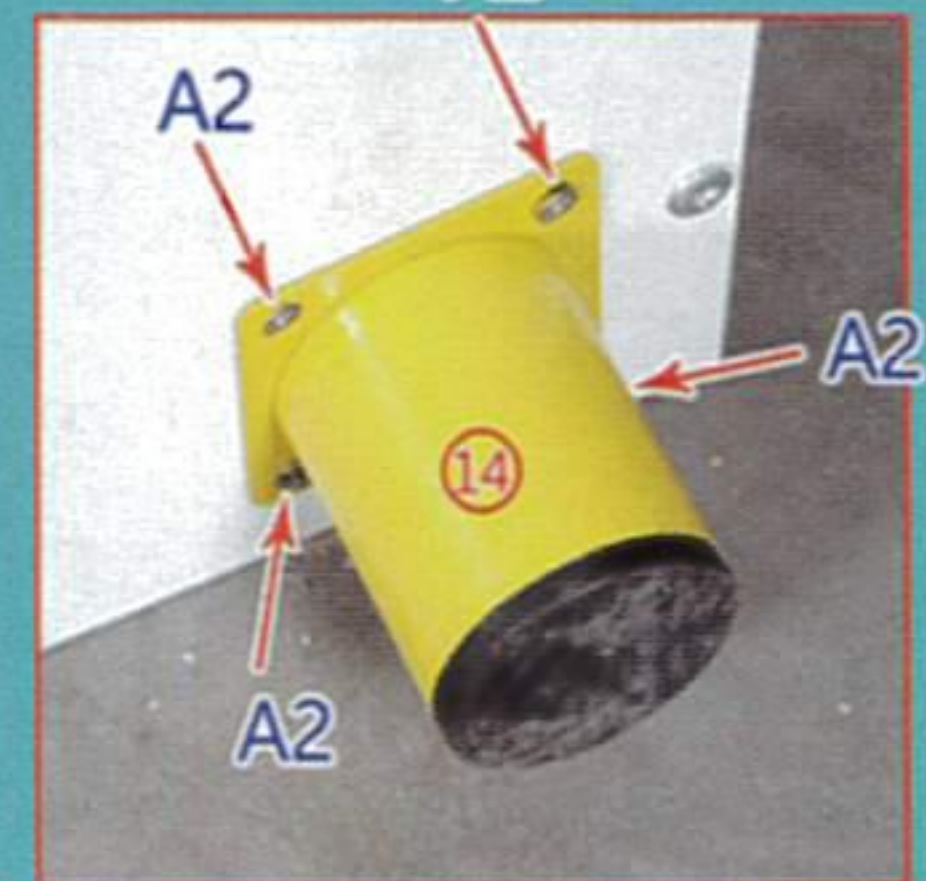


Installation completed!

<7>

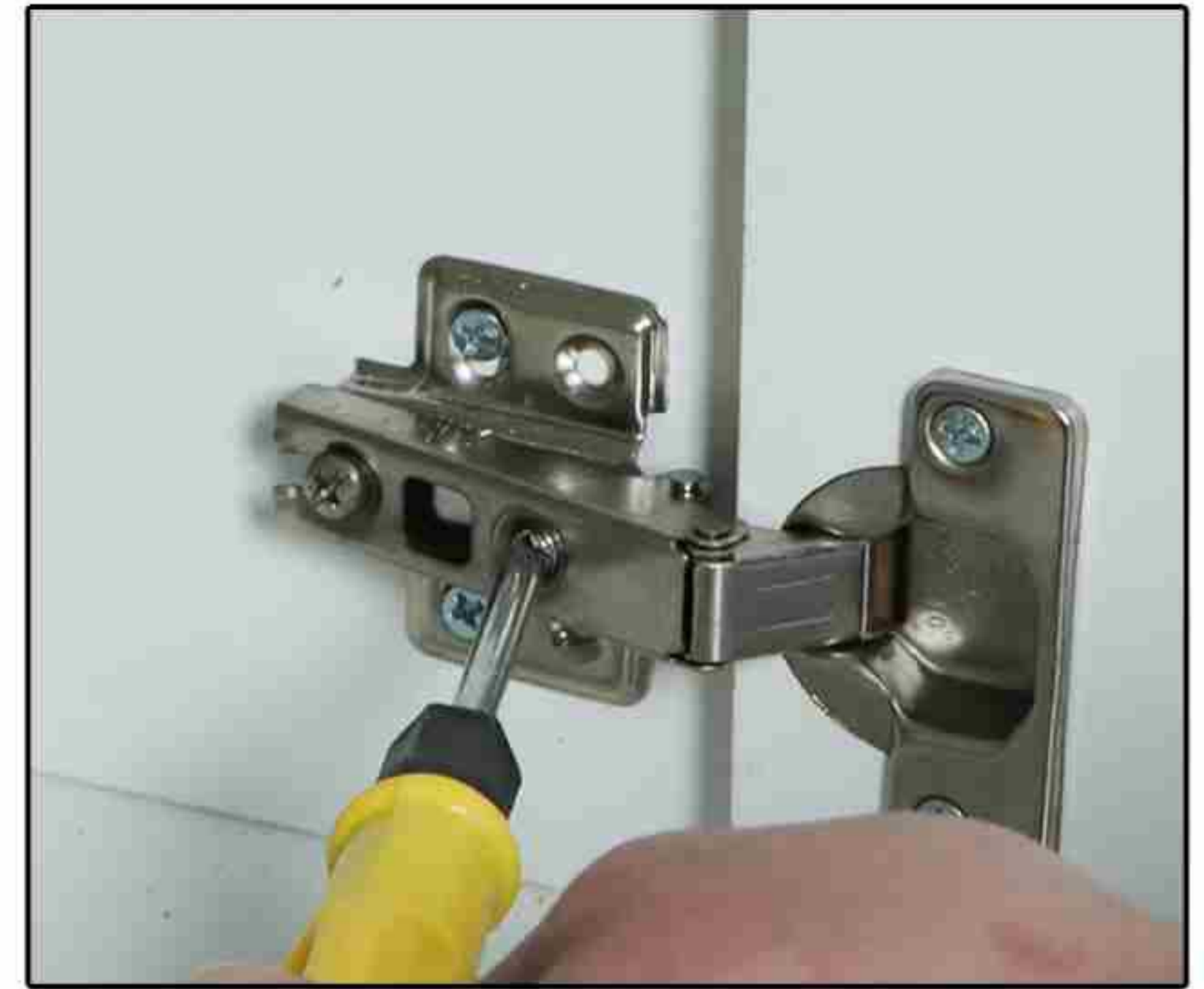
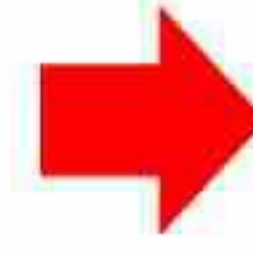
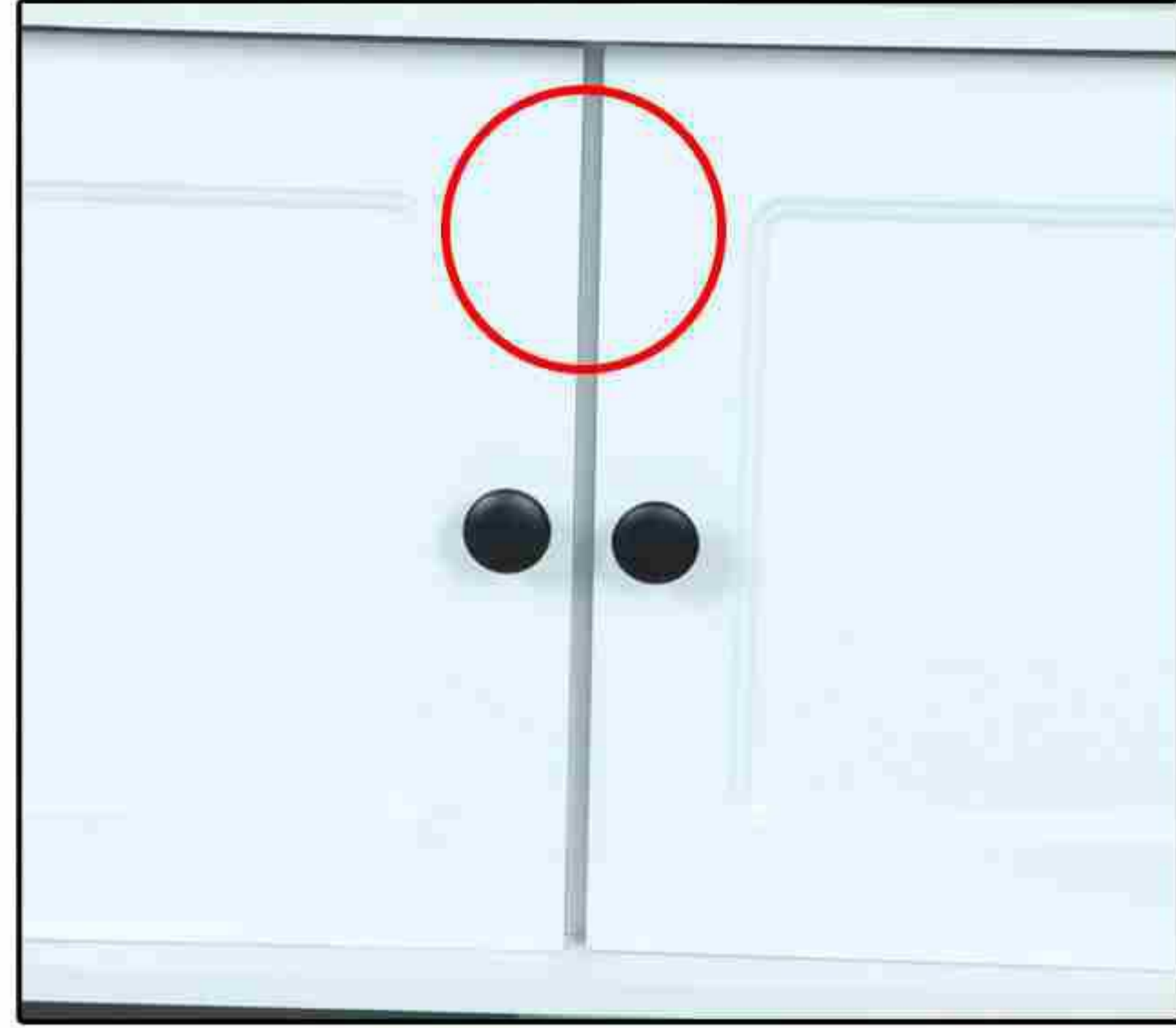

3.5*14 self-tapping screws
A2*20

Legs x 5

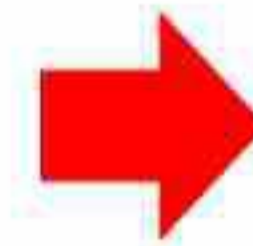
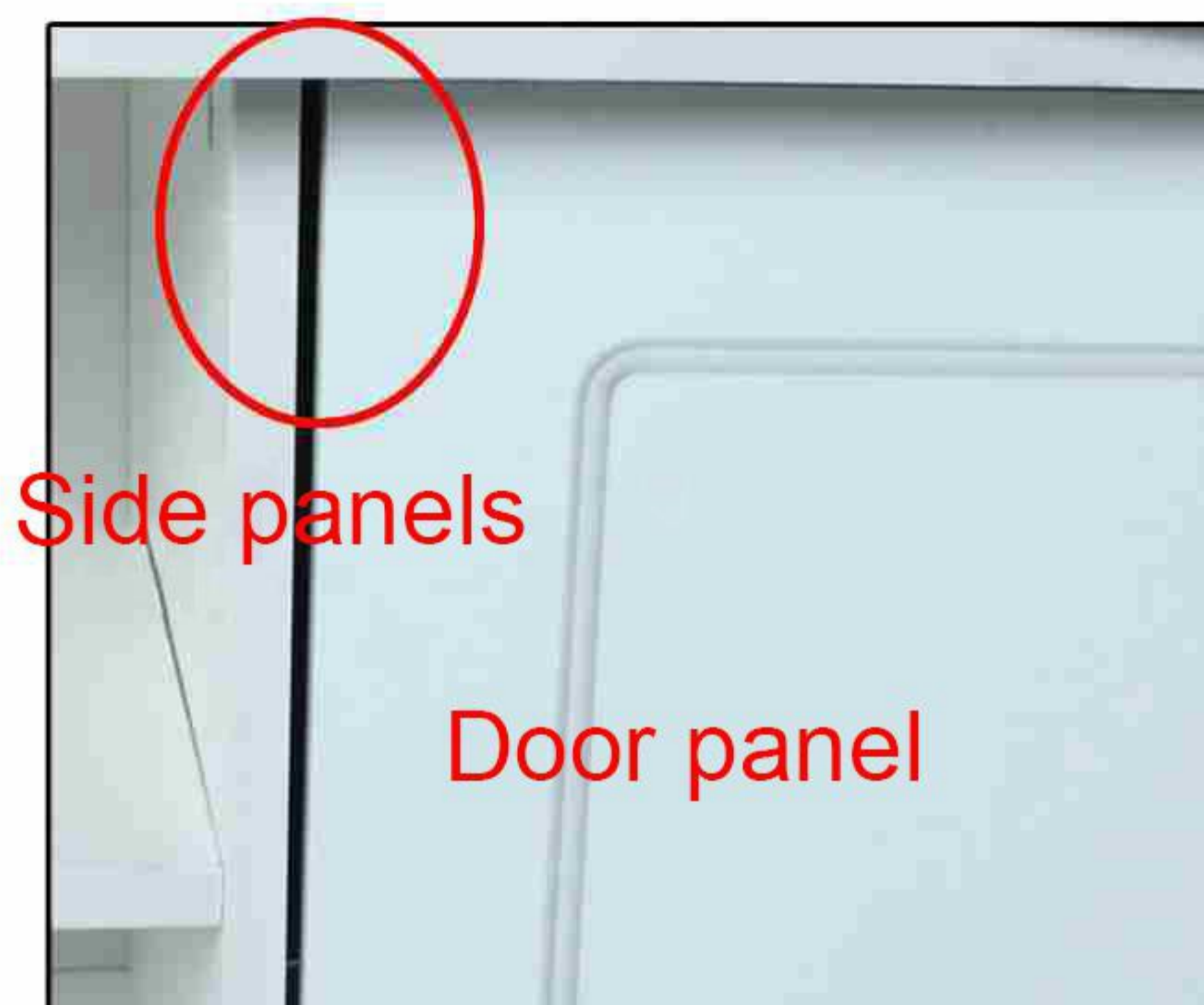
Door panel adjustment

Door gap is too big



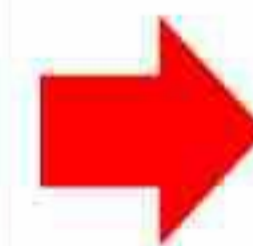
As shown in the picture, the screw that the screwdriver points to is used to adjust the door panel to move left and right, and turning it clockwise is to adjust the door panel to move toward the center.

The gap between the door panel and the side panel is too large



As shown in the figure, loosen the screw that the screwdriver points to, push the door panel in or pull it out, and then tighten it to solve the above problem.

Uneven door panel



As shown in the figure, loosen the screw that the screwdriver points to, push the lower door panel and hinge upward, and then tighten the screw. Push the upper door panel and hinge downward, and then tighten the screw.