

# TS002-1 Door No Drawer

Please be sure to use a manual screwdriver and refrain from using an electric drill.






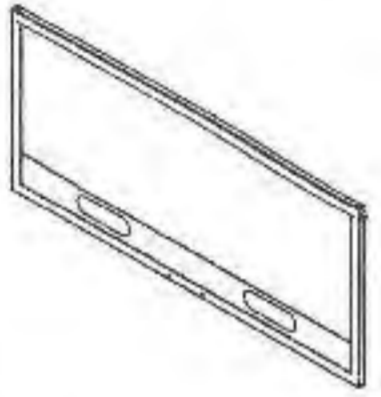

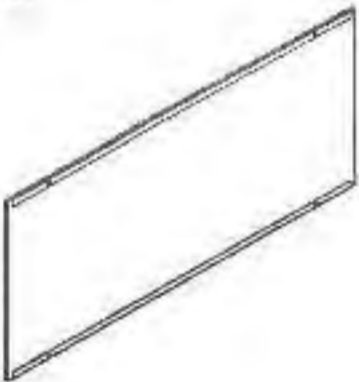




## Toilet rack glasses model without drawer

installation instructions

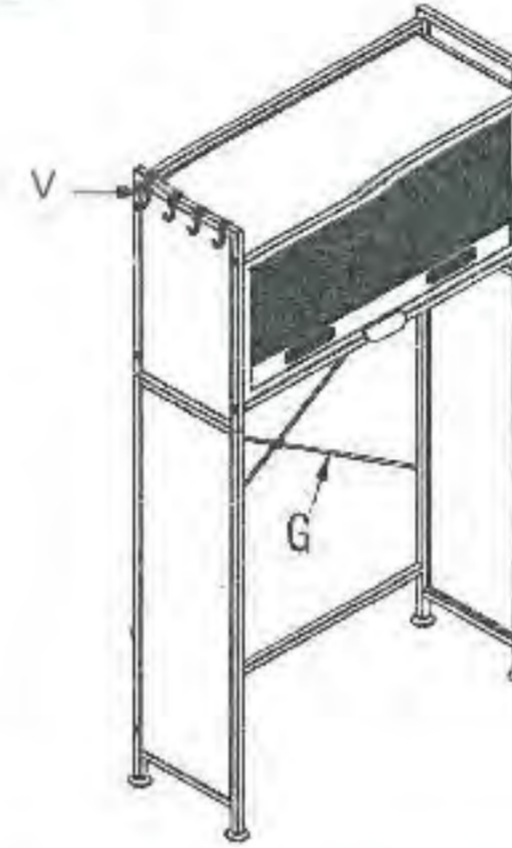
# ASSEMBLY INSTRUCTIONS

### Parts list

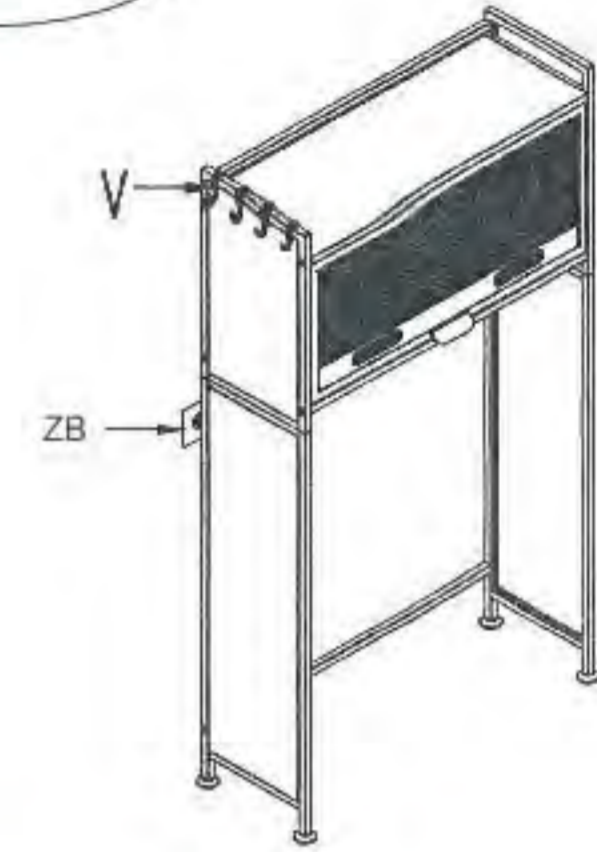
Lower right side frame  A1=1X	Lower left side frame  A2=1X	Upper right side frame  B1=1X	Upper left side frame  B2=1X
Laminate  C=2X	Door panel  D=1X	Acrylic board  E=1X	
Side frame board  F=1X	crossbar  G=2X	Connecting pipe  H=2X	
Pan head hexagon socket screws M6*25 J=12X	Cross hexagon socket wrench, hexagon socket flat head bevel screw, adjusting foot 4mm*23*67 K=1X	M6*12 L=5X	M=4X
door handle N=1X	Cross recessed round head screw M4*15 U=2X	Storage cabinet hook V=4X	buckle W=10X
cap nut M6*12 Y=1X	small magnetic coil Z=2X	single head open end wrench Opening 10mm ZA=1X	invisible stickers ZB=2X

### Product demonstration

Cross bar

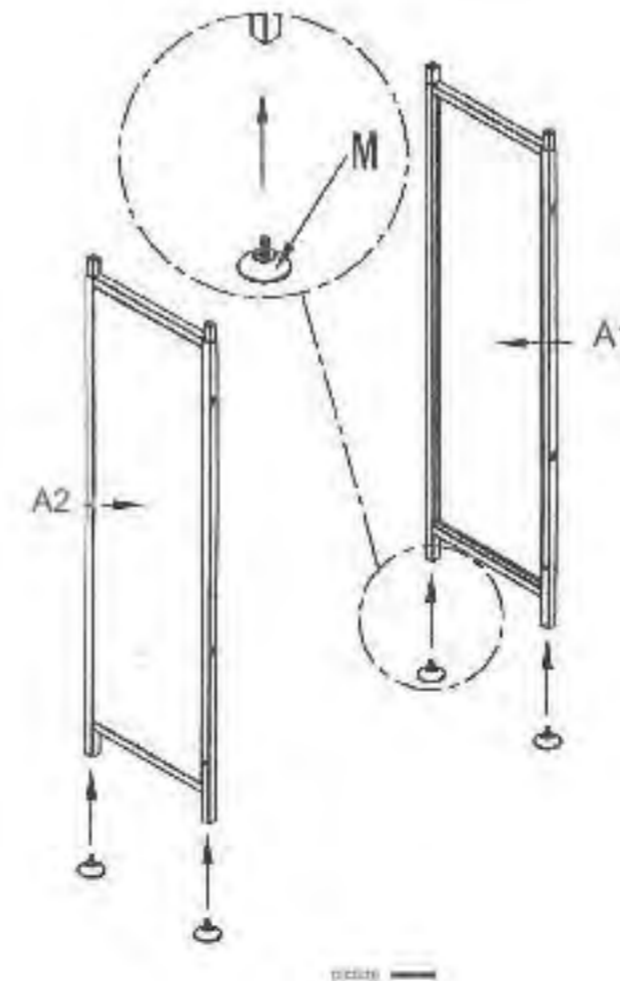


Traceless paste



### Installation steps

1. Fasten screws (the adjusting foot) into the left and right lower side frames respectively as shown in Figure 1.



2.1 Use M6\*25 pan-head hexagon socket screws to fasten the mounting pipe to the left and right lower side frames. Then use M6\*12 hexagon socket flat-head bevel screws and M6\*12 cap nuts to secure the two cross rods as shown in the figure (the assembly drawing in 2).

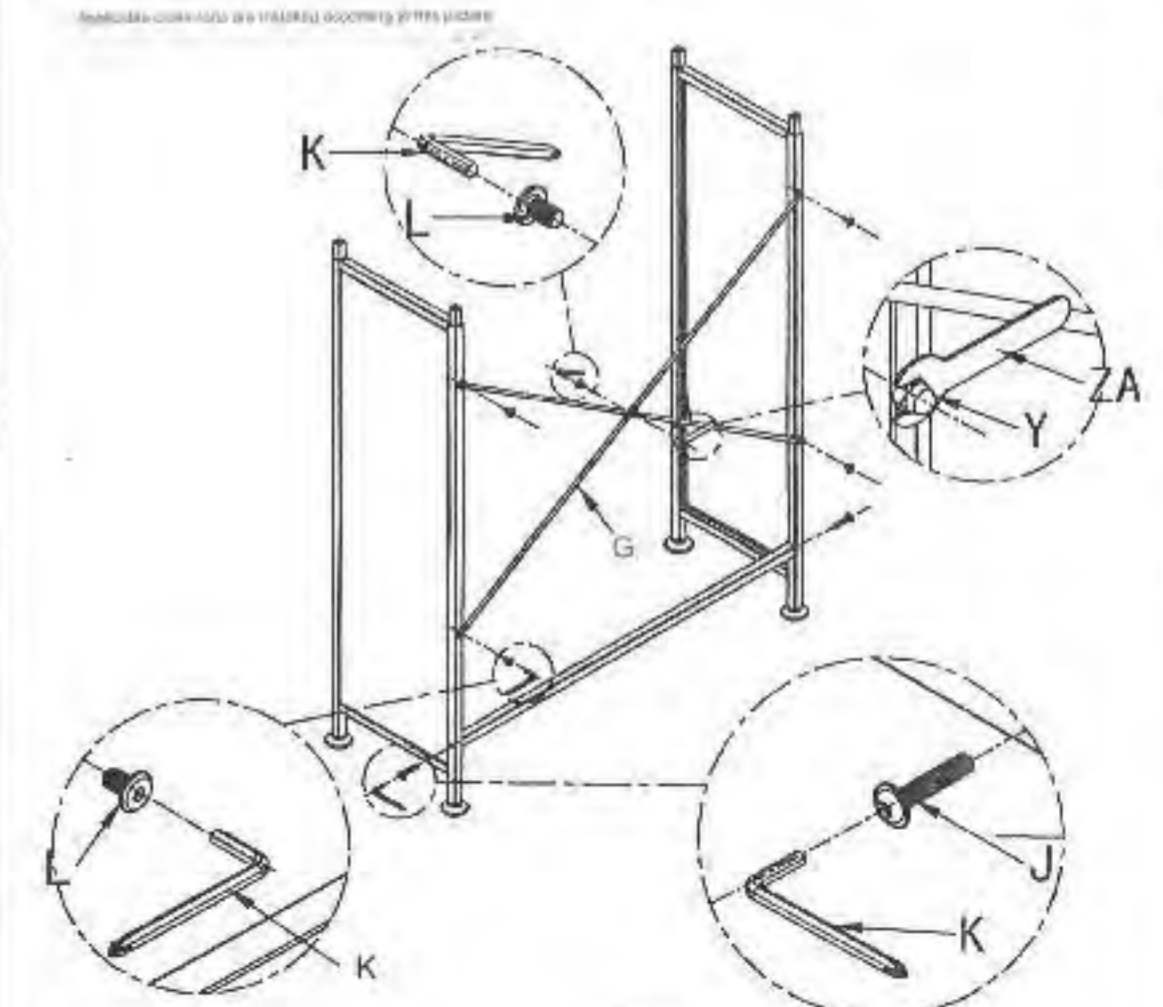


Figure II

# Installation steps

2.2 Use M6\*25 pan head hexagon socket screws to install and fix the connecting pipe and the left and right lower side frames, and then install the traceless sticker as shown in Figure 2.

All plastic fasteners are installed according to the picture.

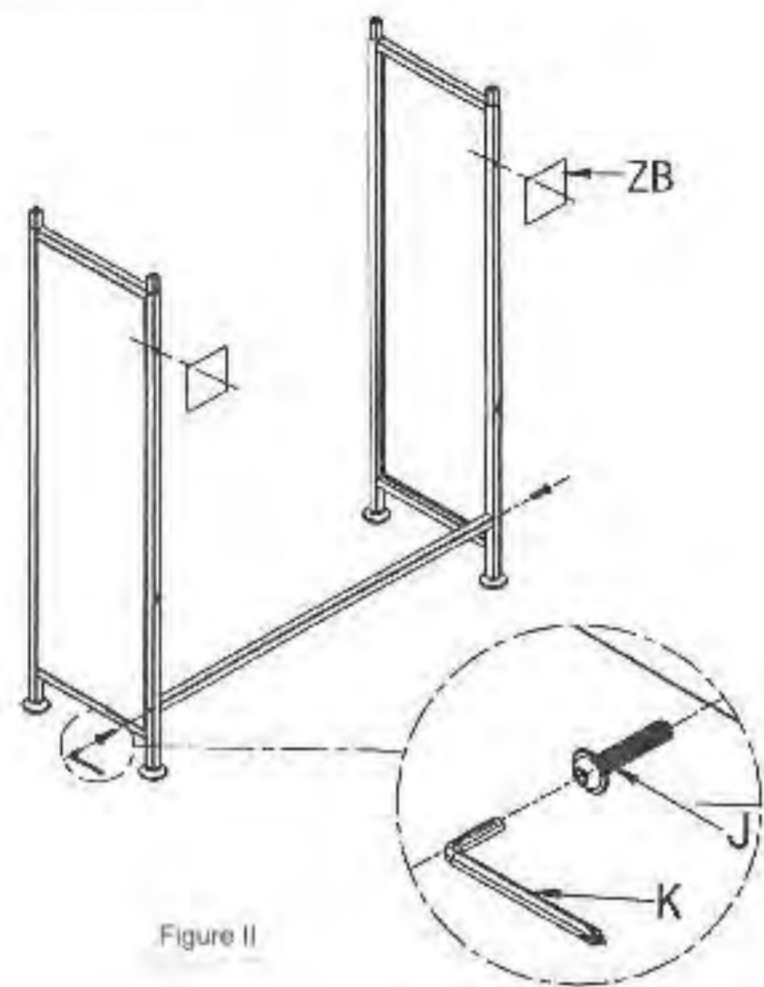


Figure 2

3. First tear off the film on the small magnetic panel, and then use the M6\*25 screws to fix the left and right upper side frames (B1 and B2) to the left and right upper side frames. At the bottom of the upper side frame, use the M6\*25 screws to fix the lower side frame to the left and right upper side frames. Then install the door panel into the guide groove, as shown in Figure 3.

Peel off the tape film

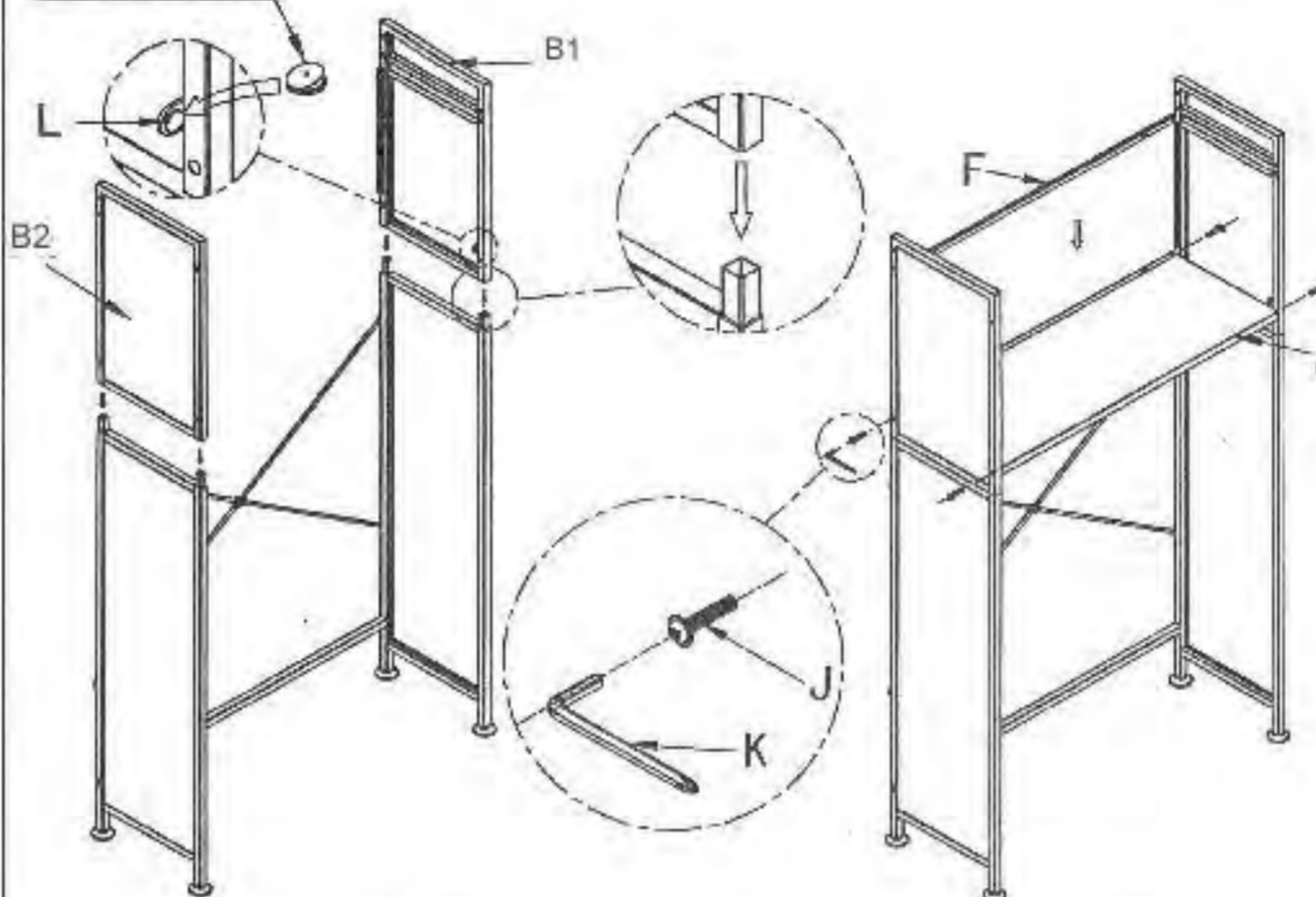


Figure 3

Figure 4

4. First use M6\*25 pan head hexagon socket screws to fix the door to the left and right upper side frames. Then install the door panel into the guide groove, as shown in Figure 5, and then install the door panel and connecting pipe in accordance with Figure 6.

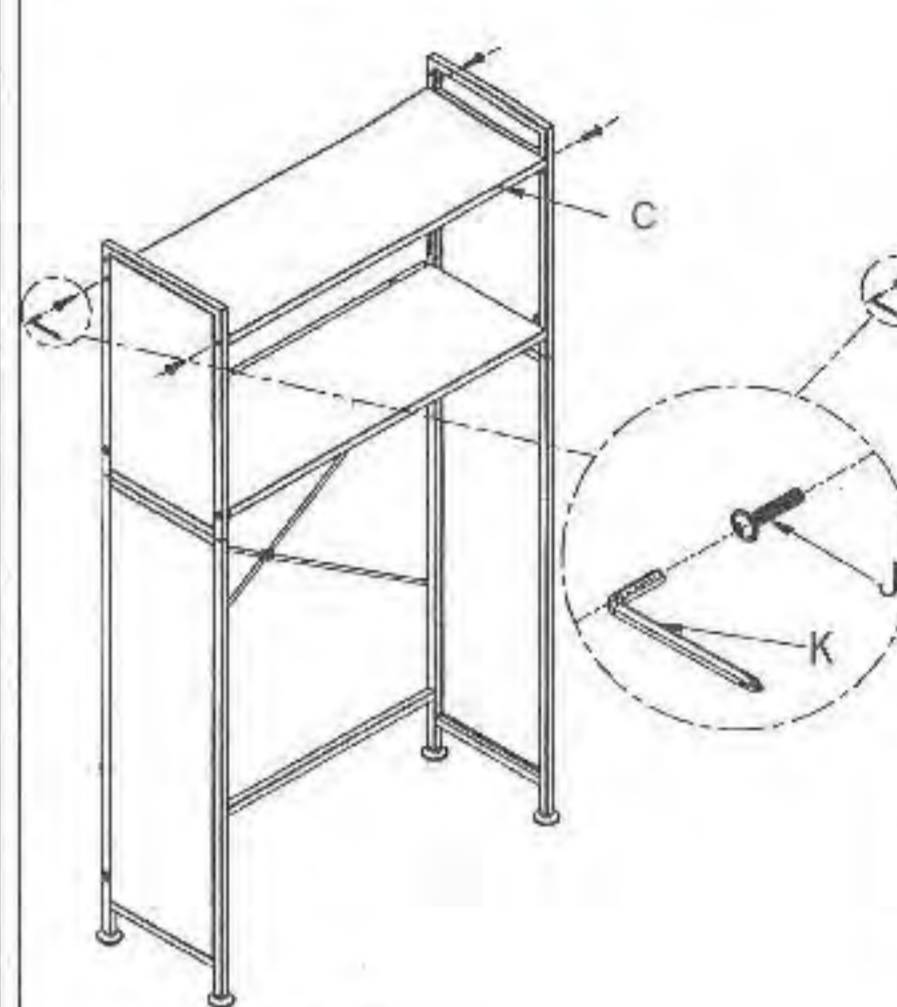


Figure 5

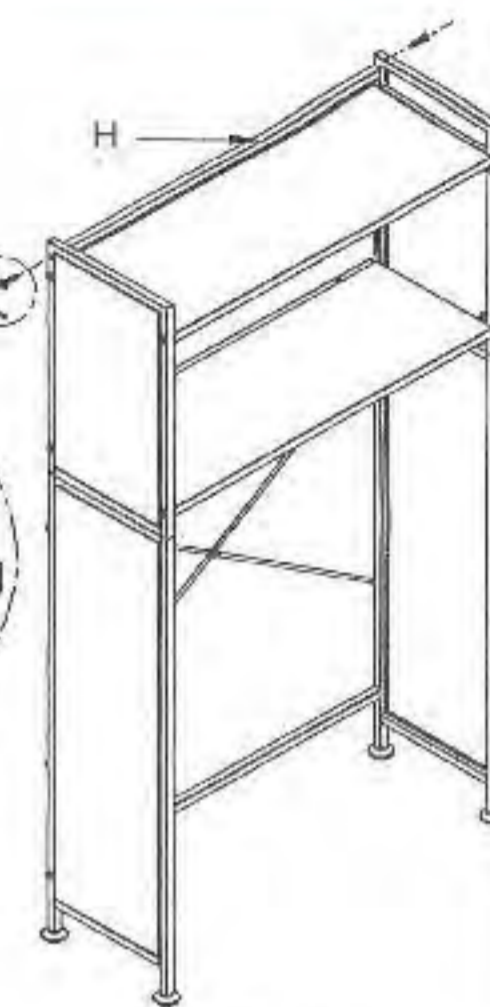


Figure 6

5. First tear off the film on both sides of the acrylic panel as shown in Figure 7, and then place the acrylic computer side forward into the door panel in the direction as shown in Figure 8.

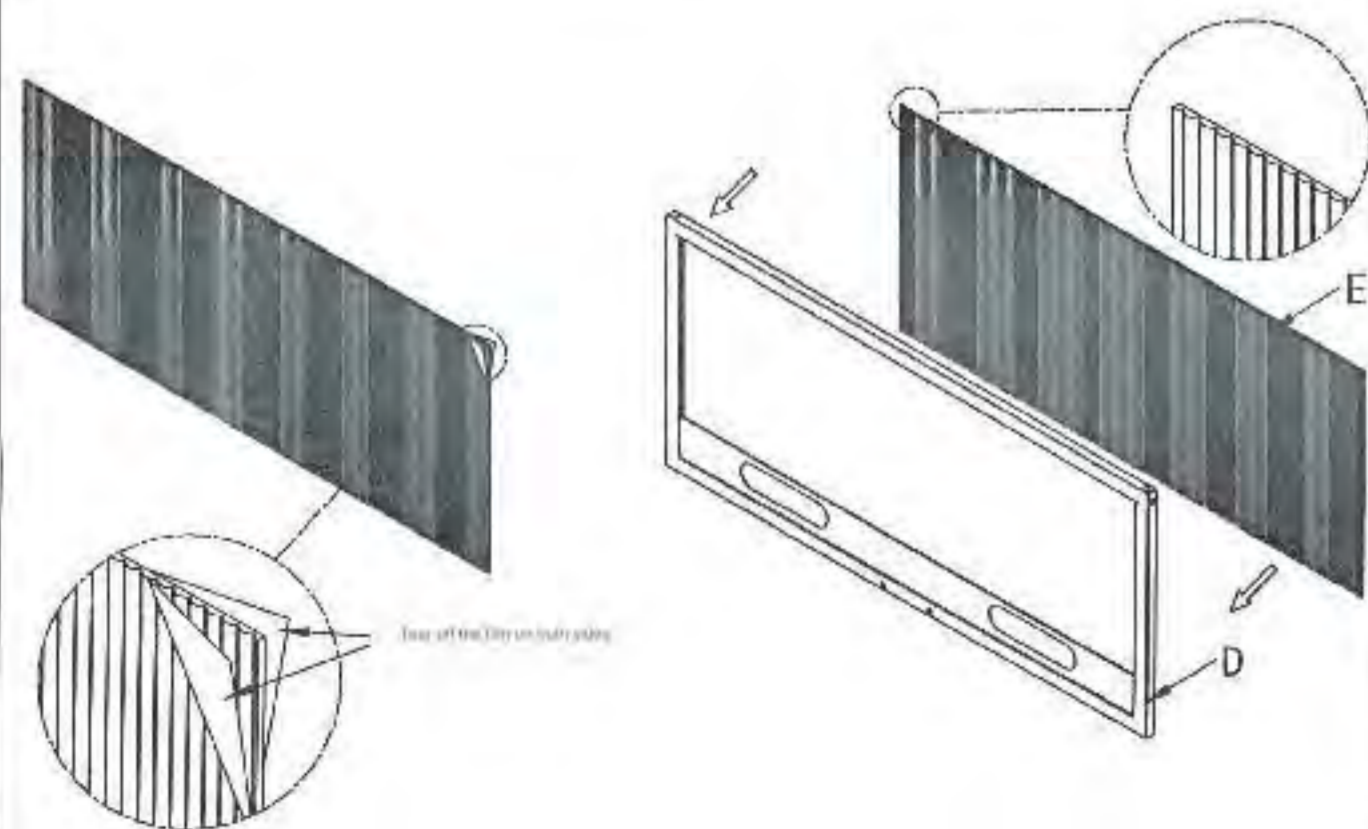


Figure 7

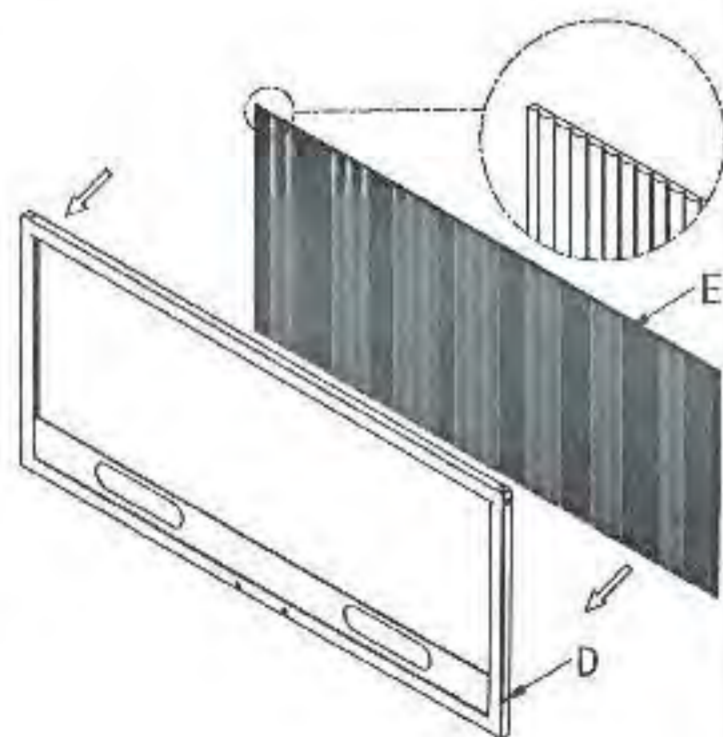


Figure 8

6. Turn the door panel of the installed acrylic panel over and press the door panel buckles into the holes in the direction shown in Figure 9 to fix it. Then use the cross pan head screws to fix the back of the door panel and the door handle in the direction shown in Figure 10.

10. door panel

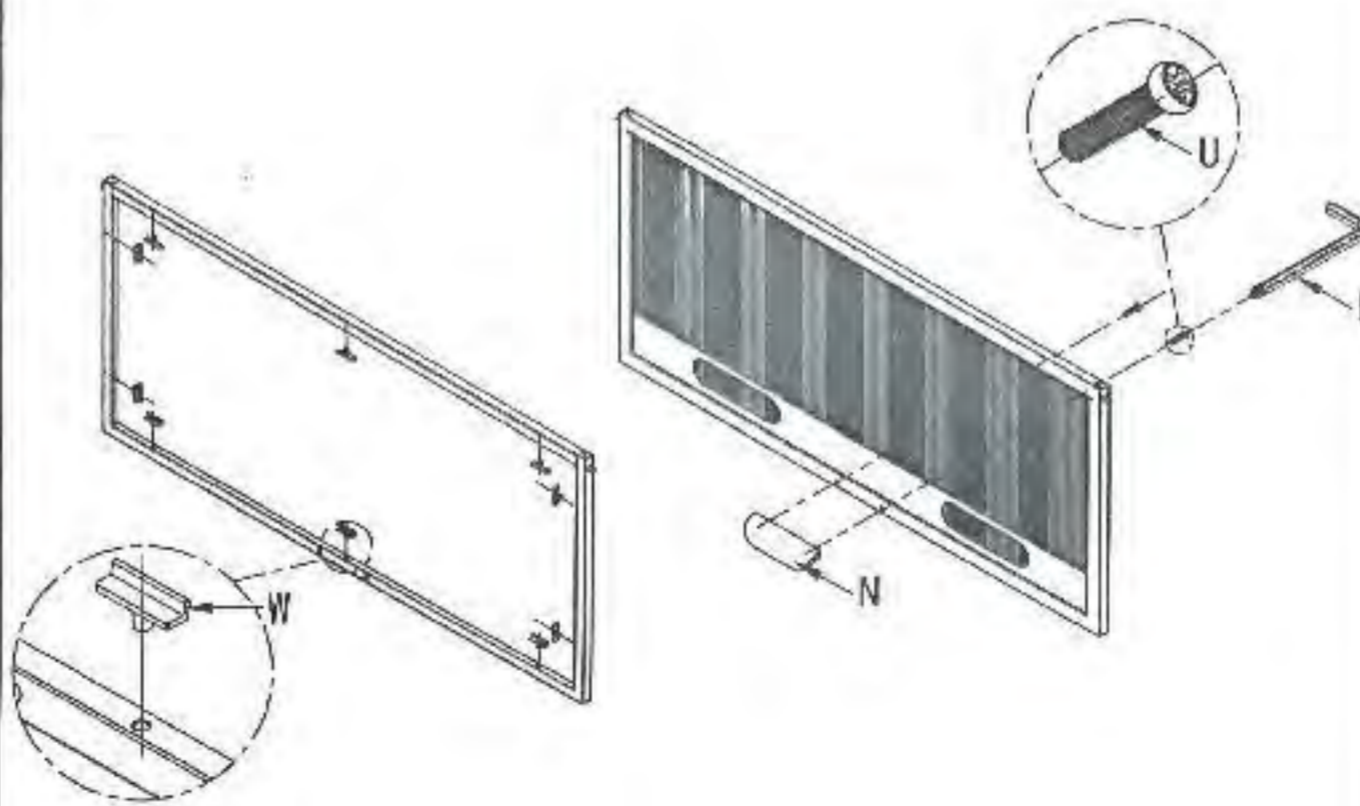


Figure 9

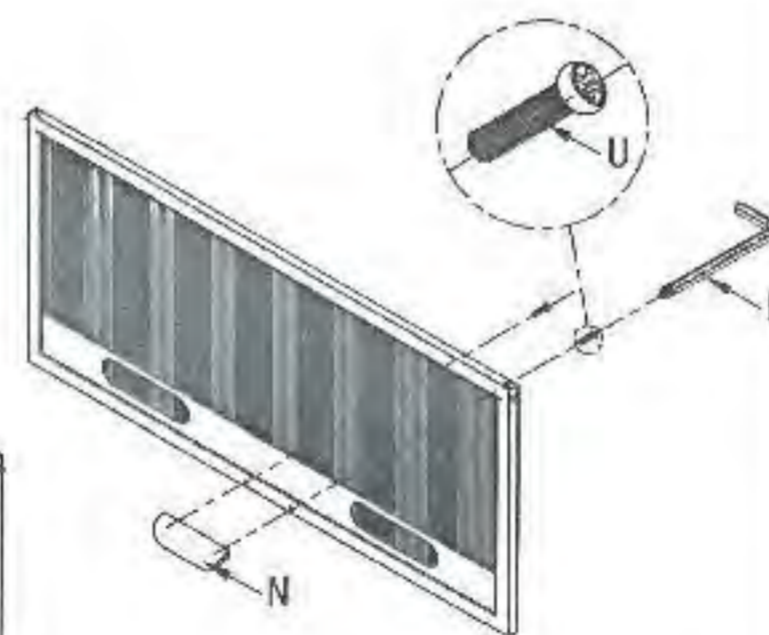


Figure 10

7. Press the spring buckles on both sides to snap into the door frame into the guide rail grooves of the left and right upper and lower side frames, as shown in Figure 11. The door frame is retracted as shown in Figure 12.

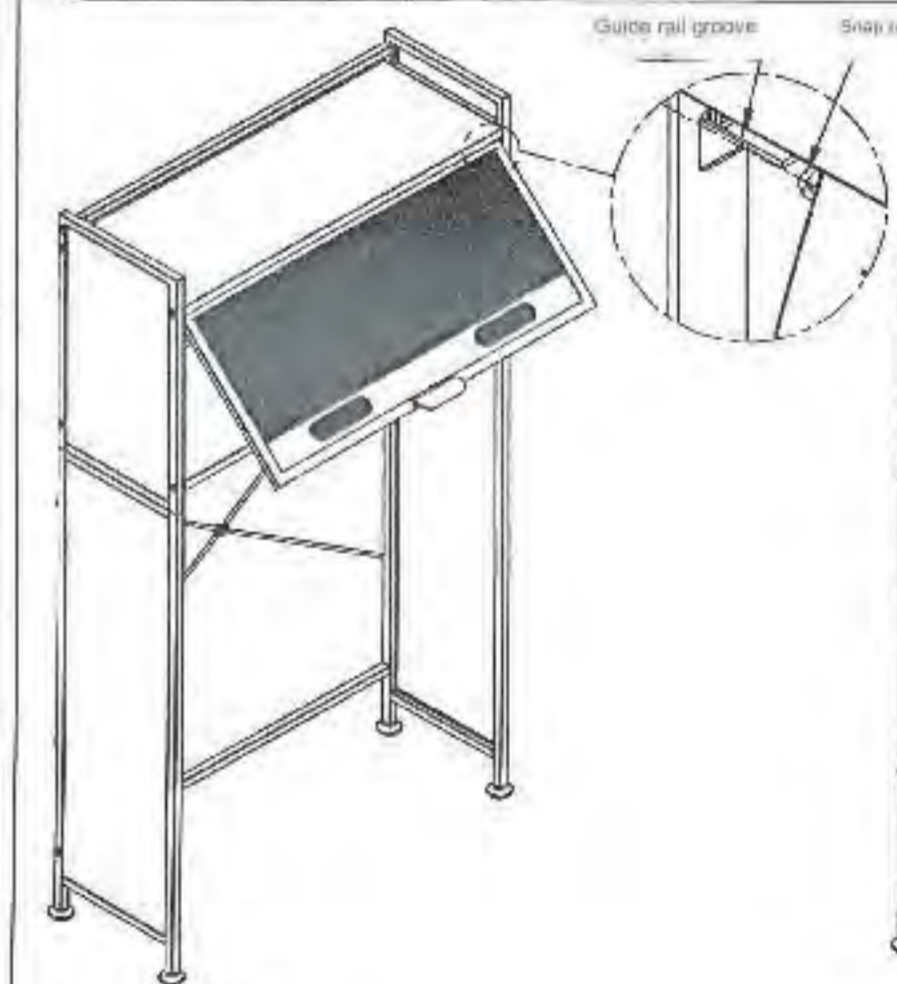


Figure 11

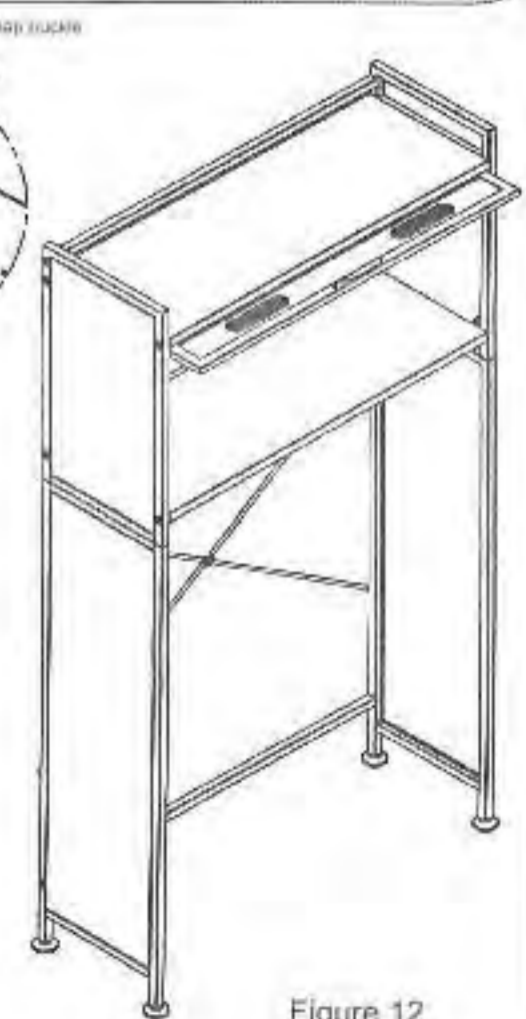


Figure 12