

Furniture installation



Please be sure to use a manual screwdriver and refrain from using an electric drill.

Flower racks installation process

PS002





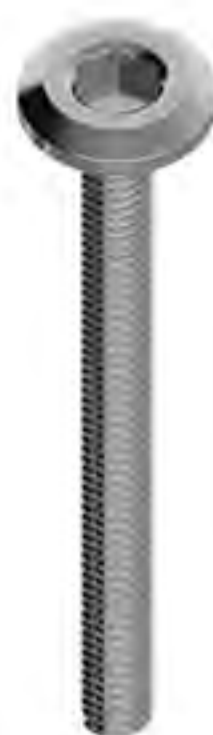
Hex Key



M2x8
6*20
Hex Screw



M4x5
6*30
Hex Screw



M6x4
6*40
Hex Screw



JD02x4



①x4



②



⑥



⑦



⑧



⑨



⑩

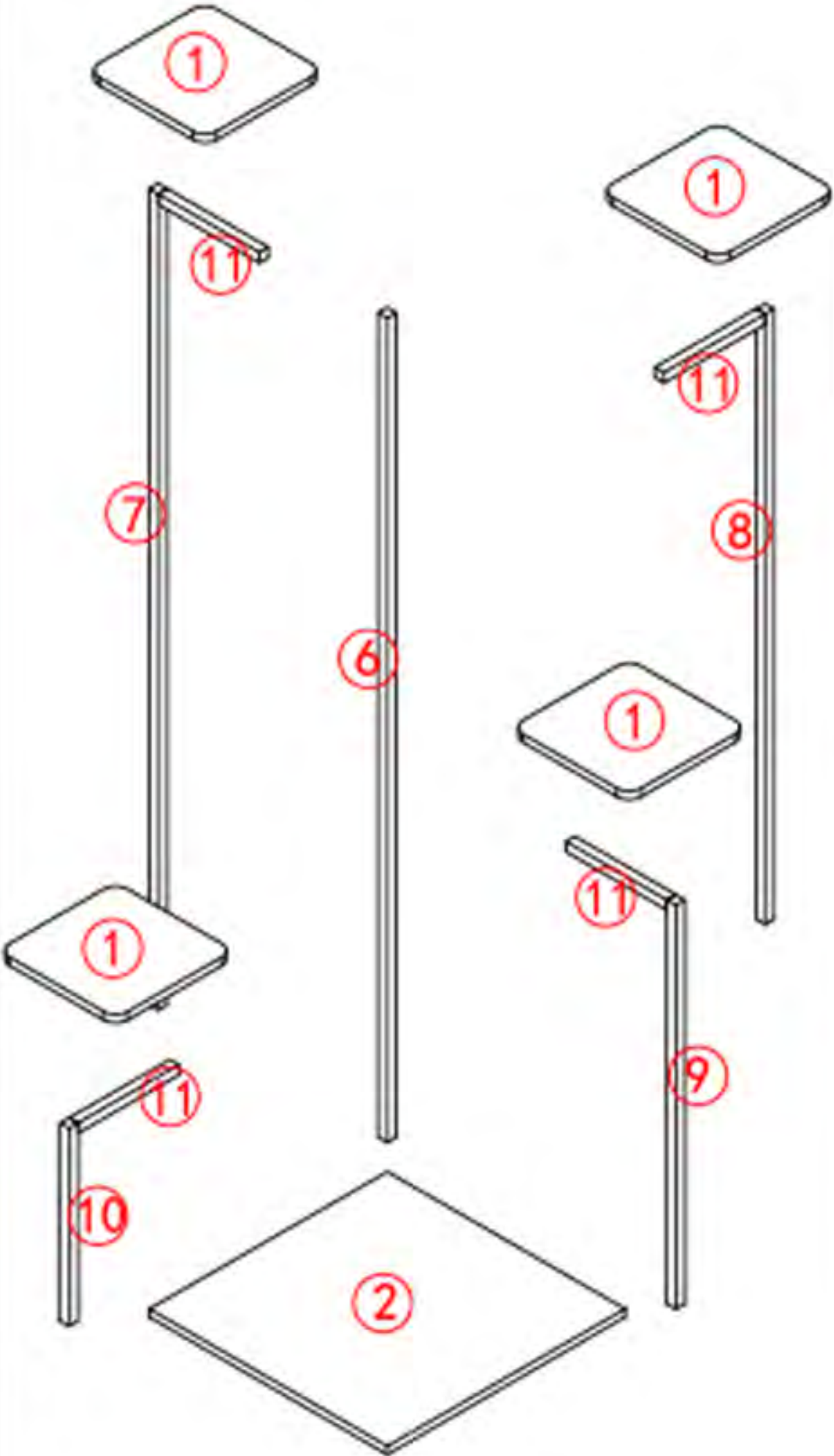


⑪x4

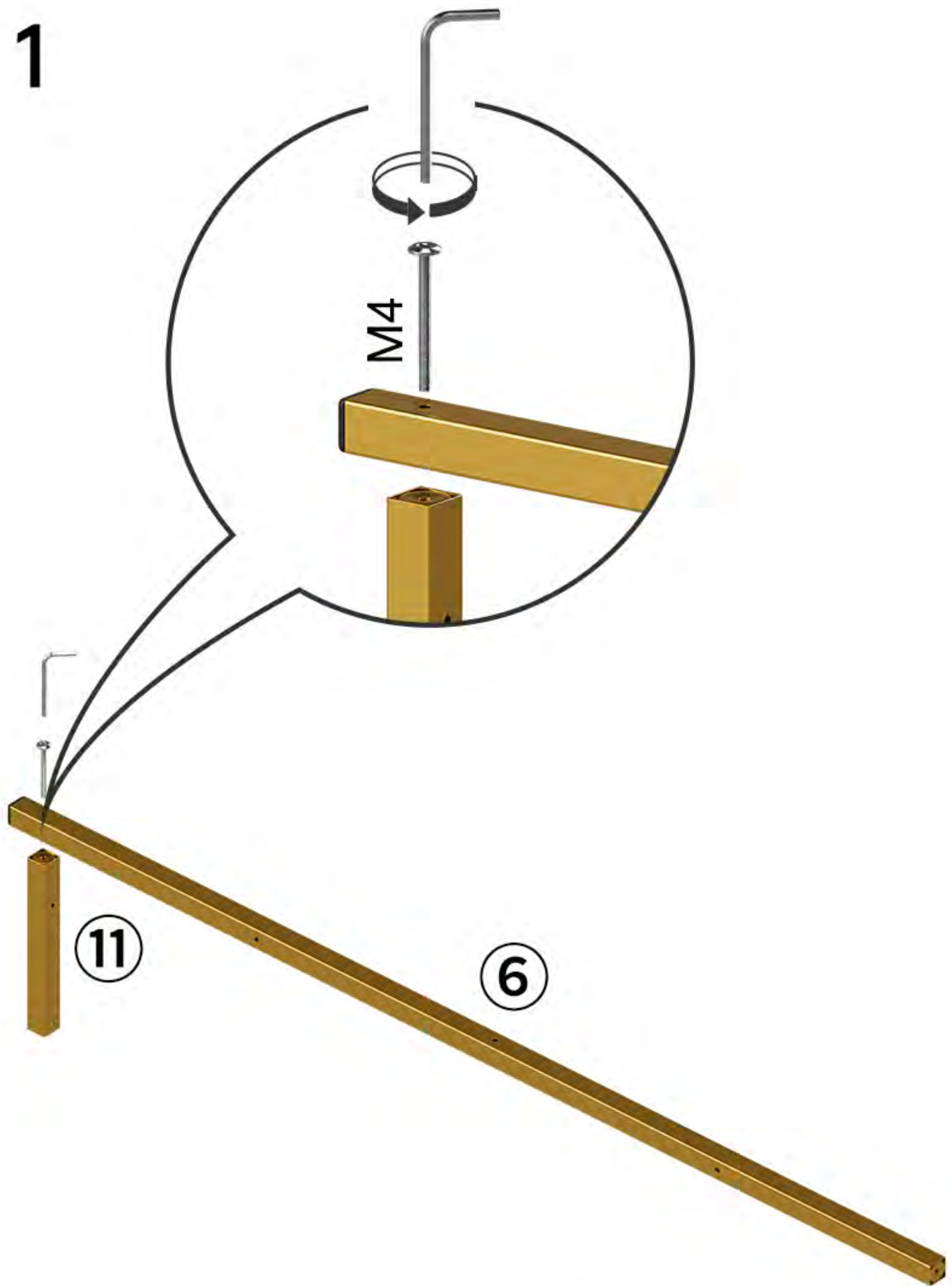
Presentation of finished product



Product Split Diagram



1



1x



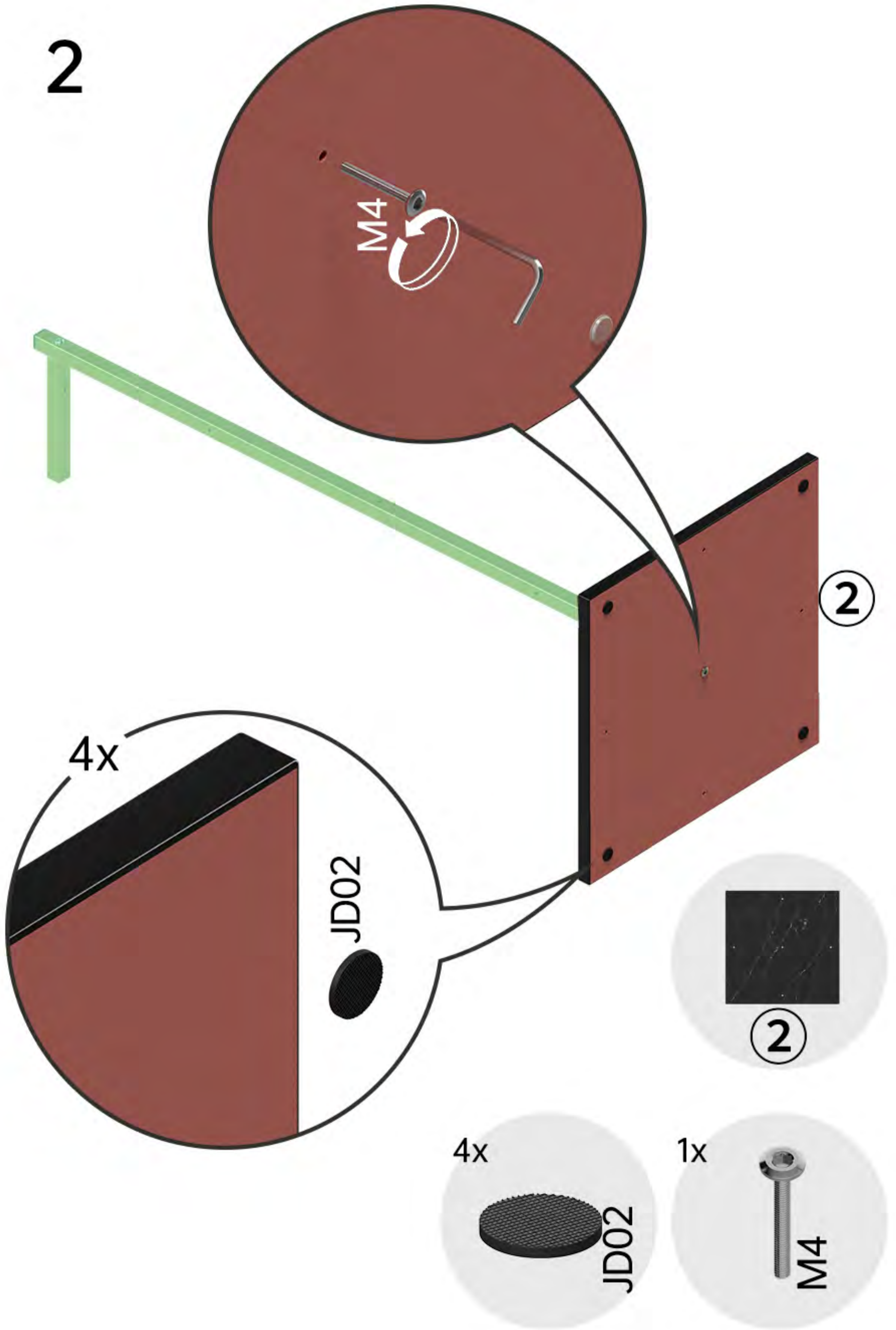
11



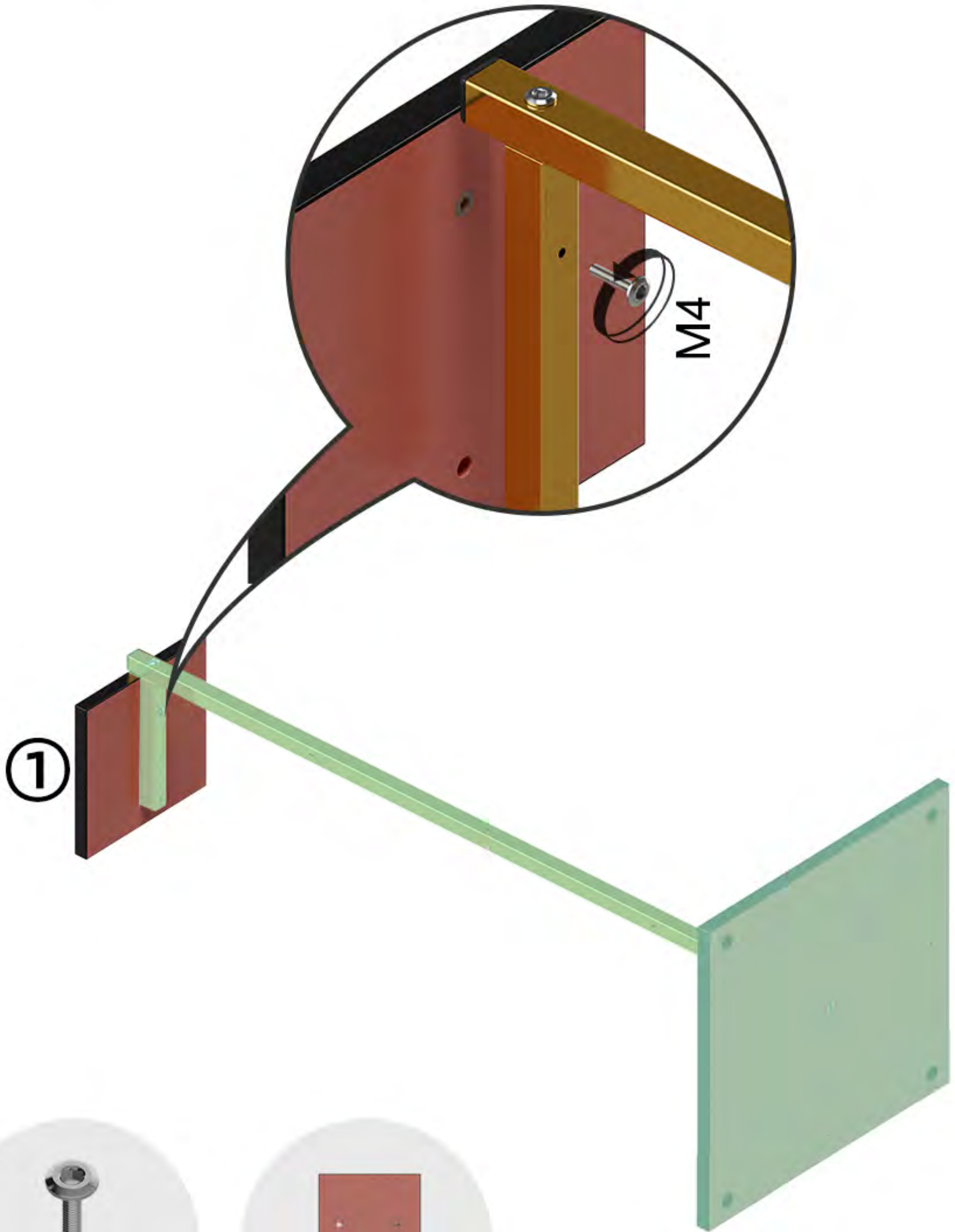
6



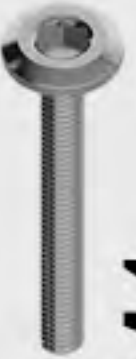
2



3



1x

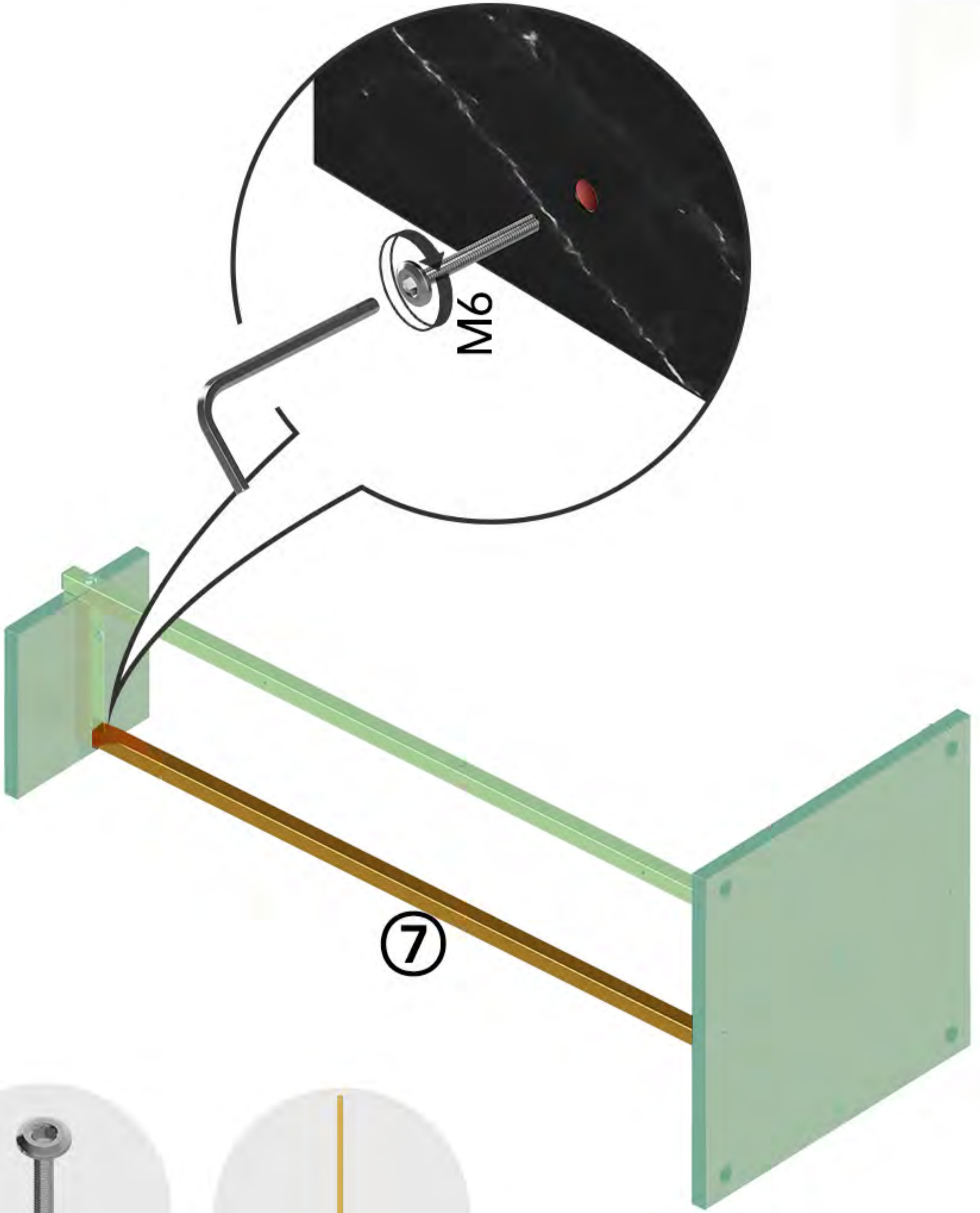


M4



①

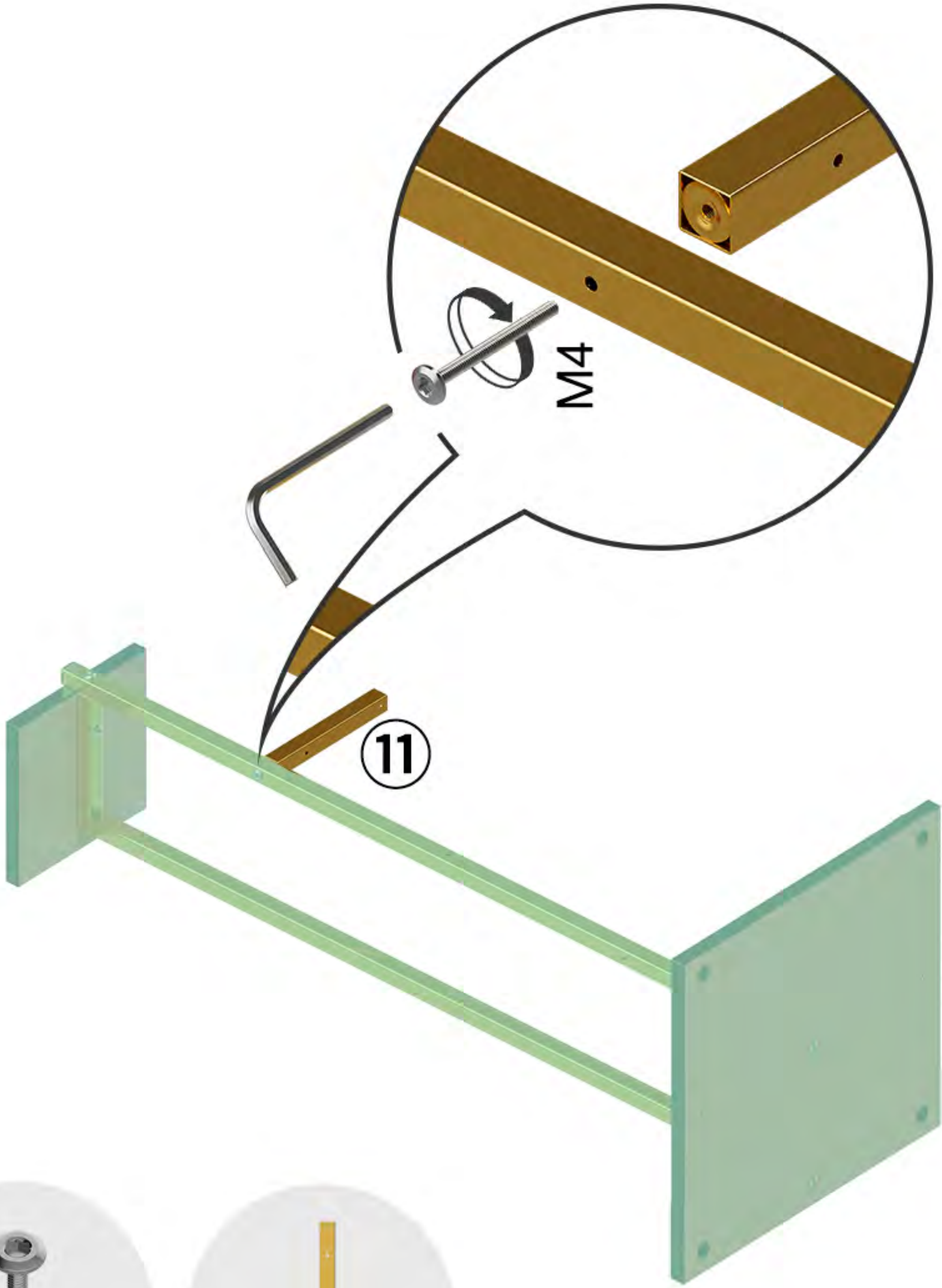
4



1x



5



1x

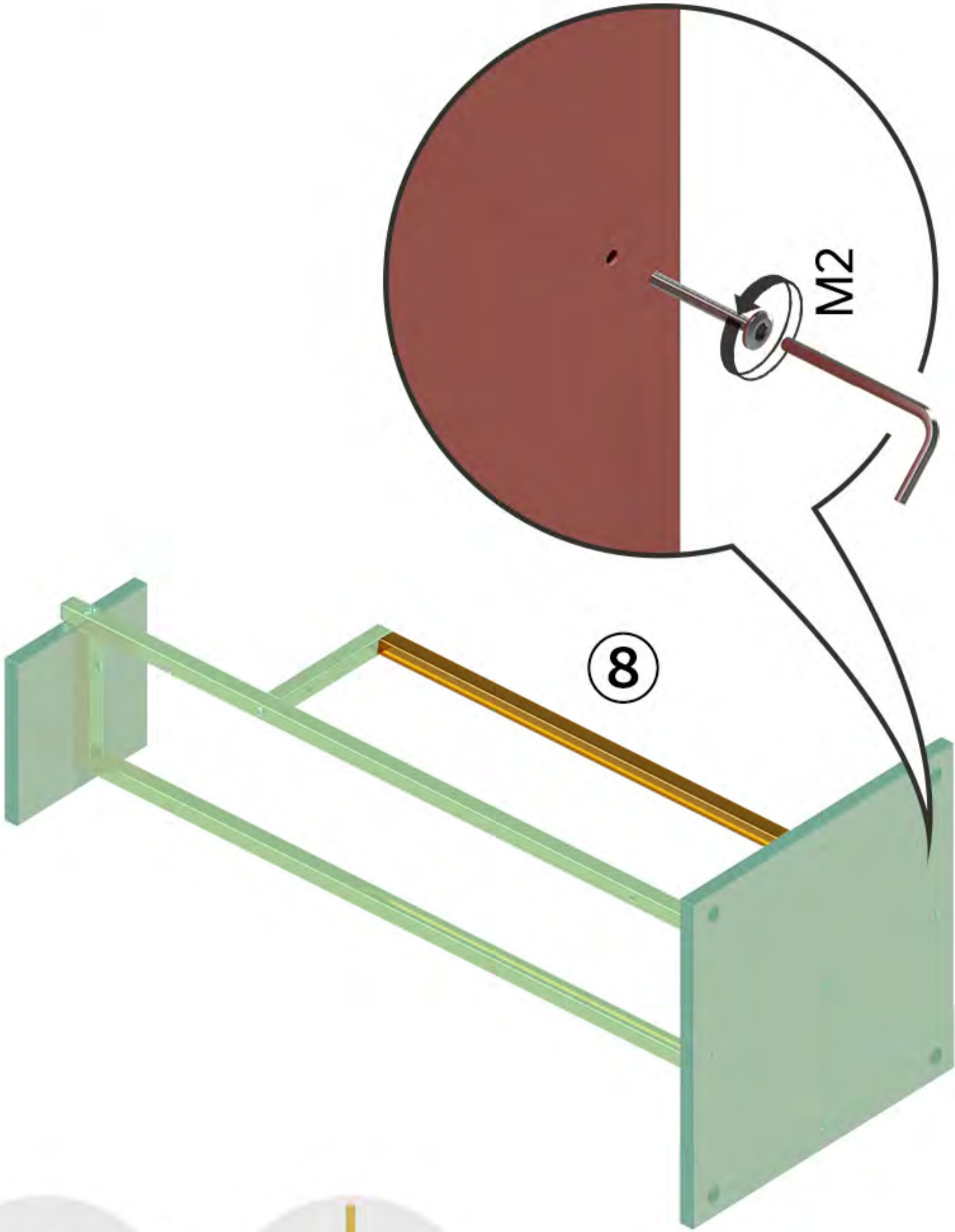


M4

11



6



1x

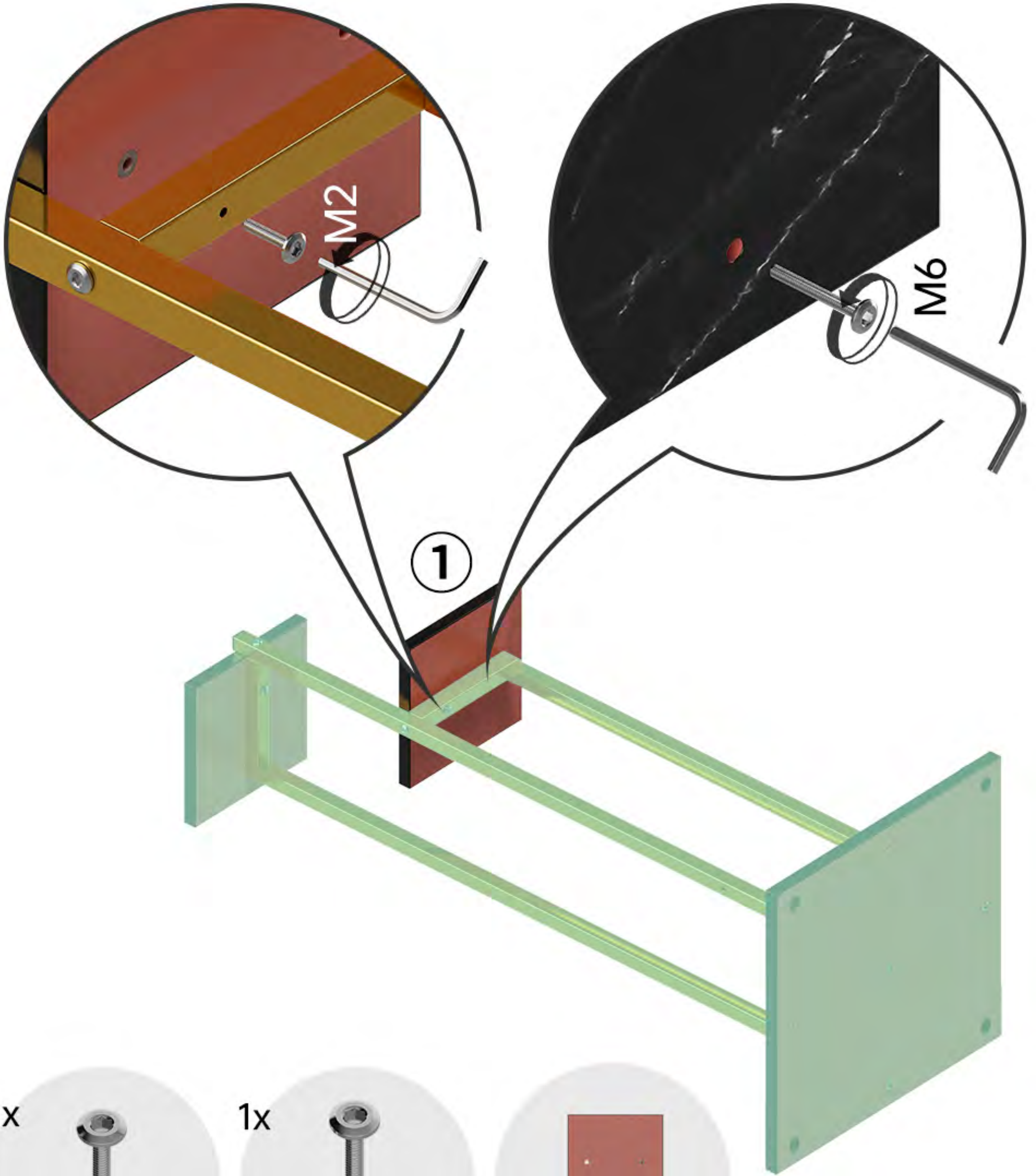


M2



8

7



1x



M2

1x

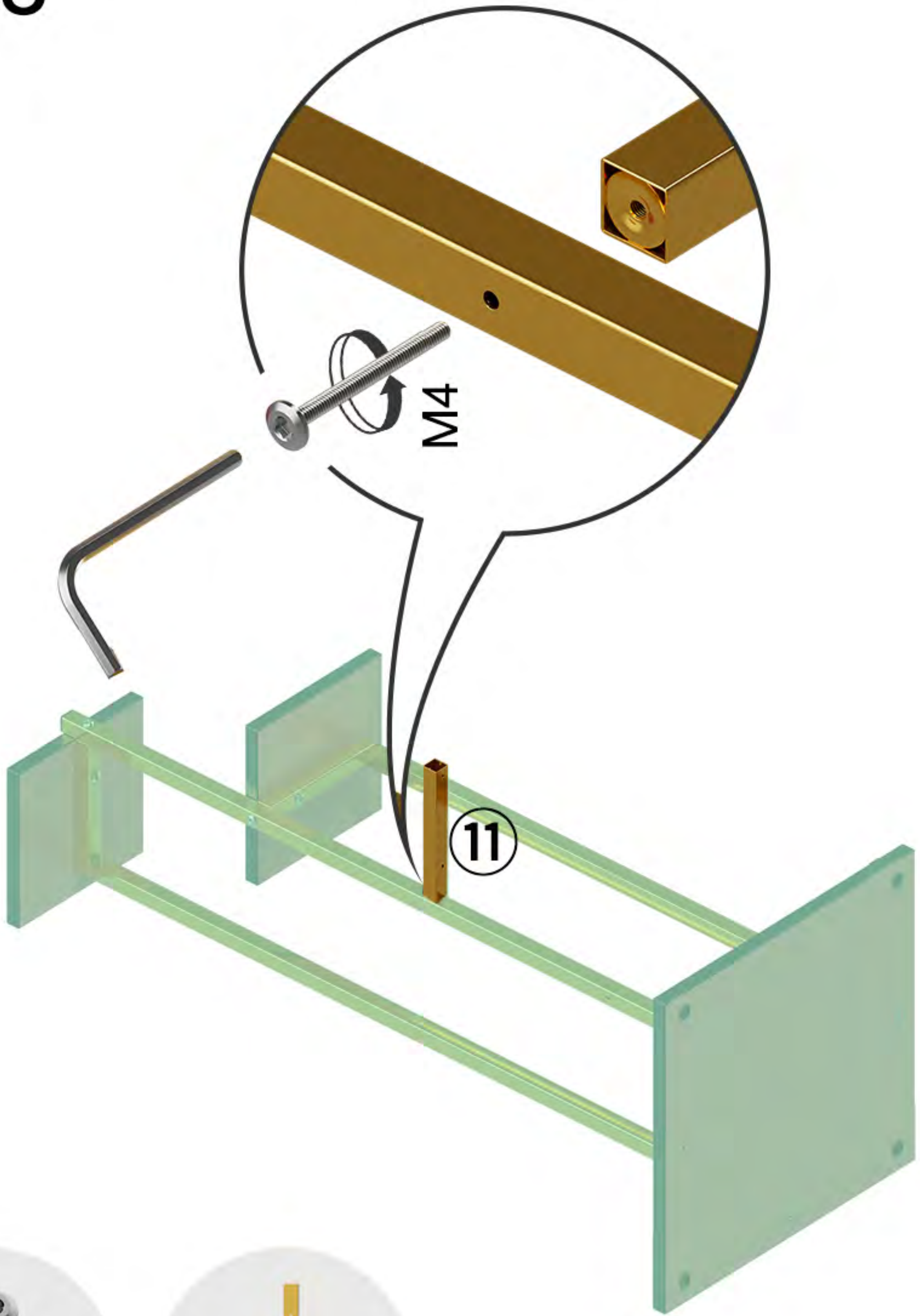


M6

1



8



M4

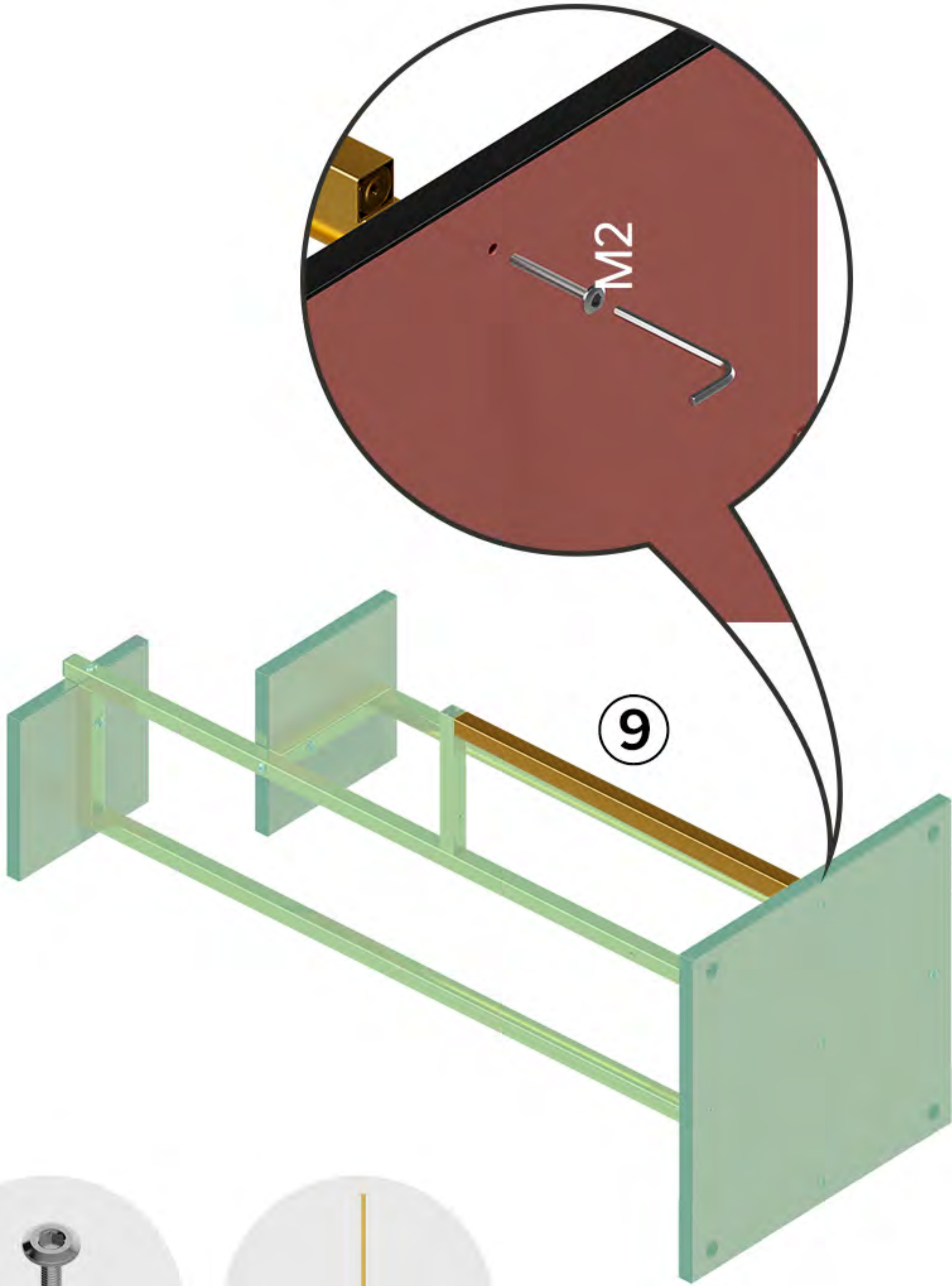
11

1x

M4

11

9



1x

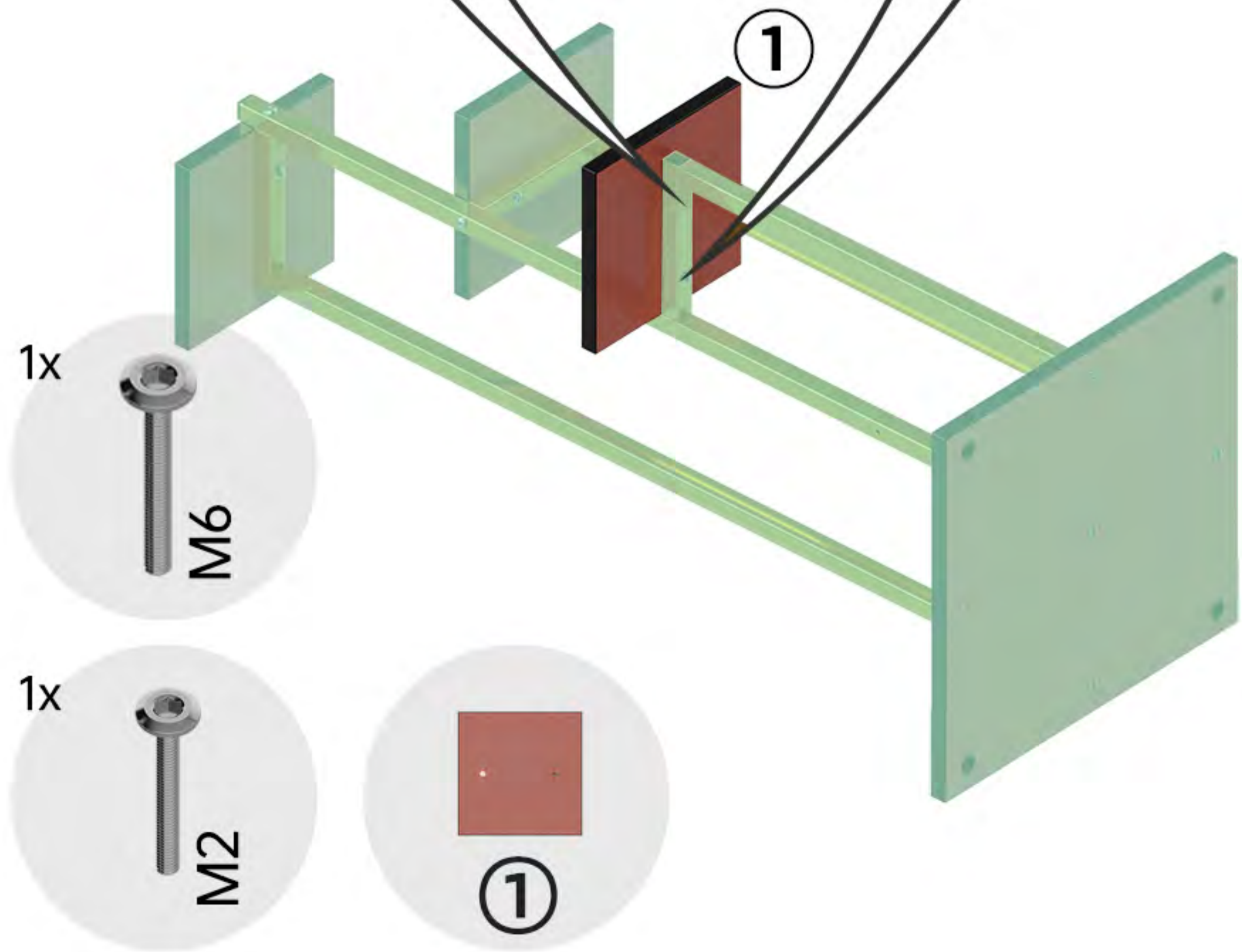
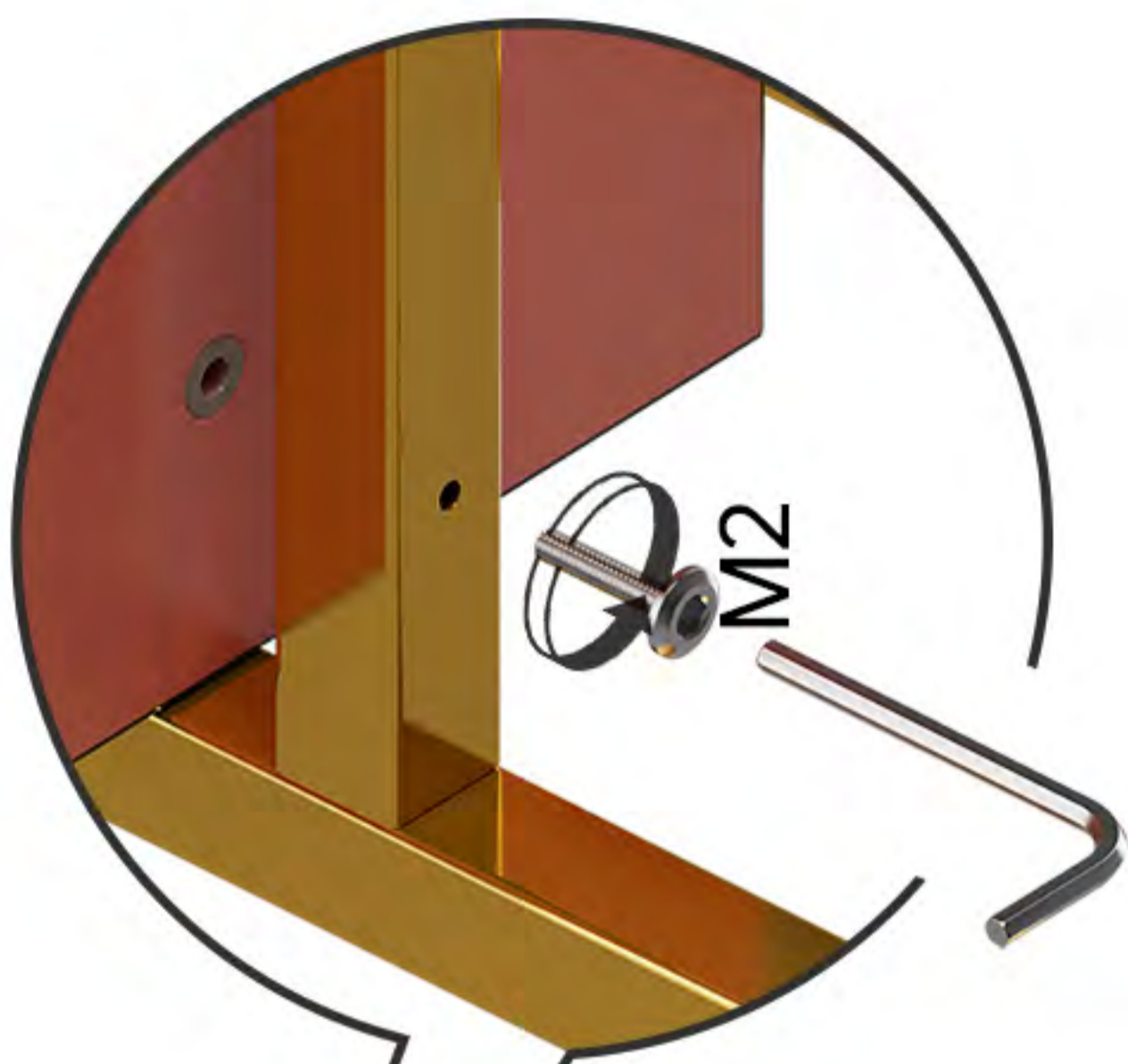
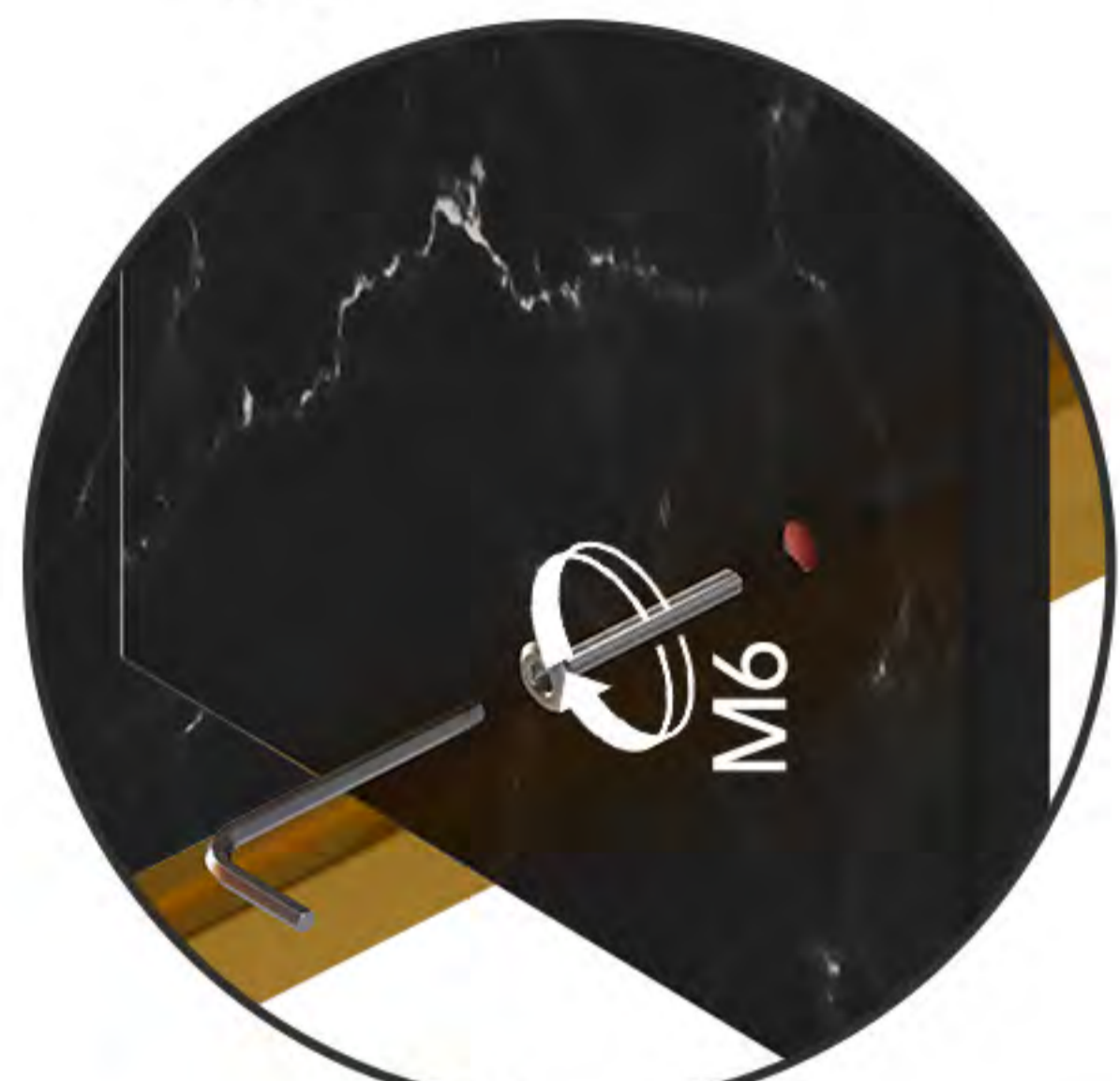


M2

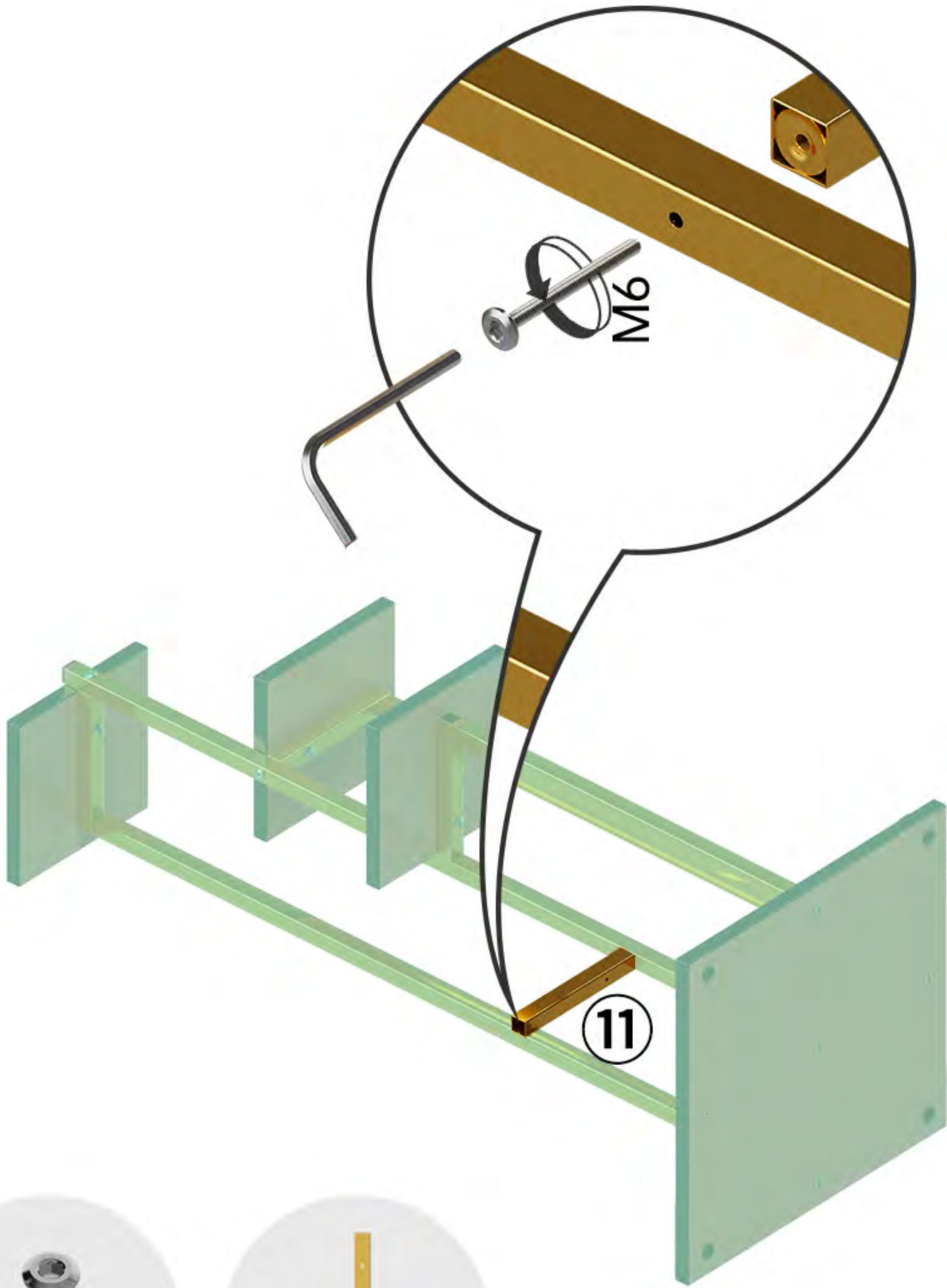


9

10



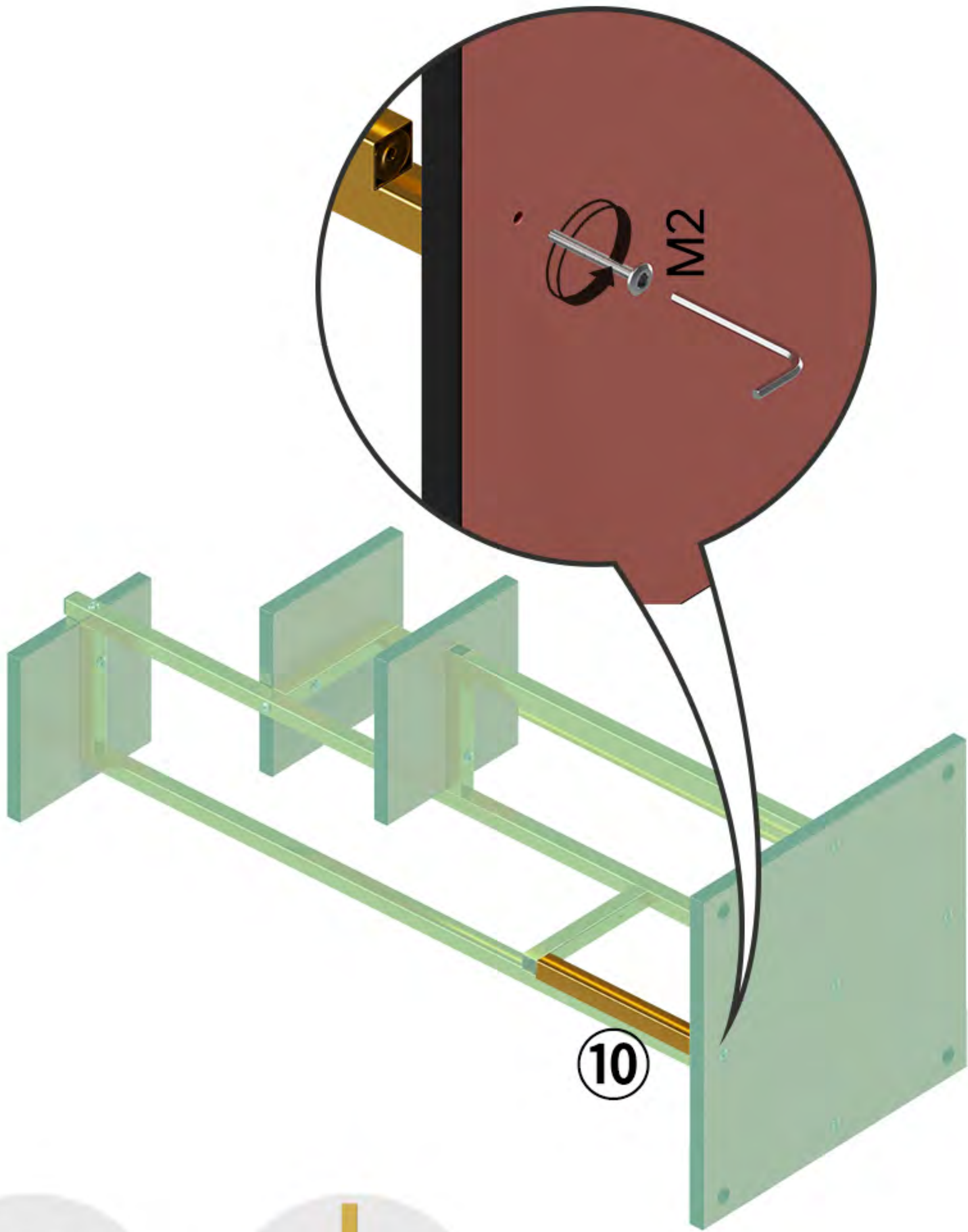
11



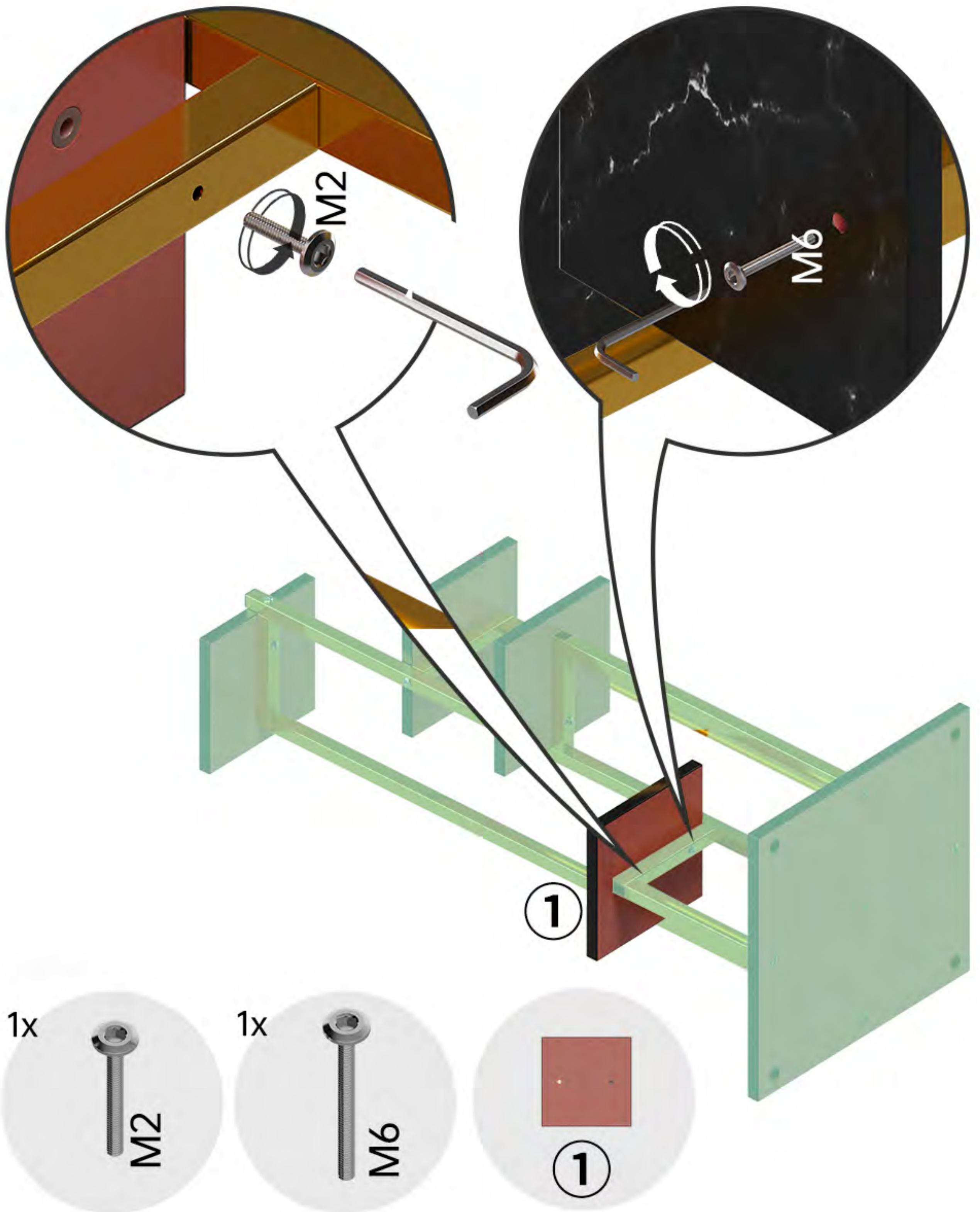
1x



12



13



14

