



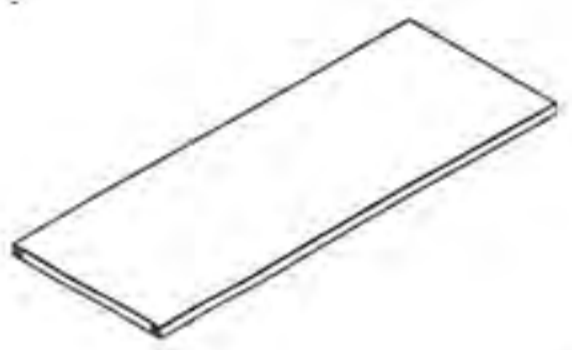


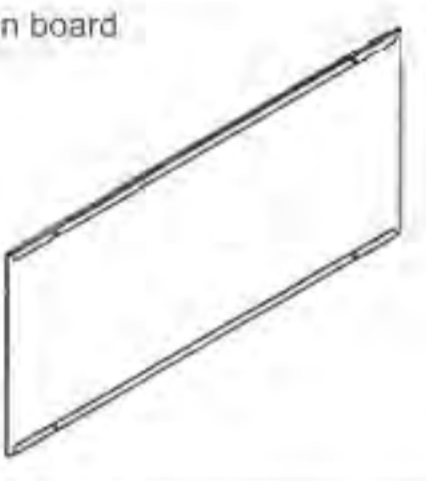








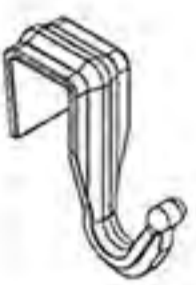
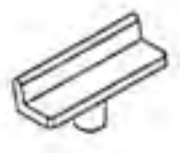





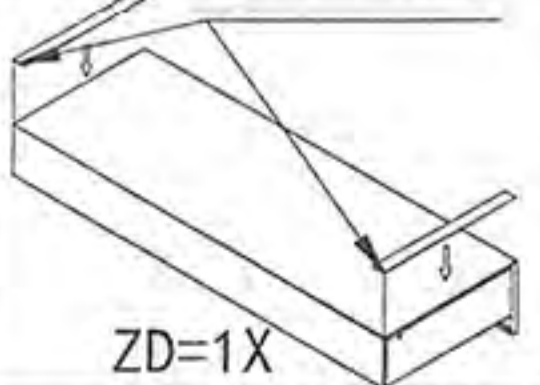
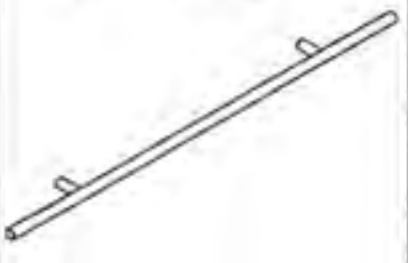




TS002-2D+DW Installation Instruction

Please be sure to use a manual screwdriver and refrain from using an electric drill.

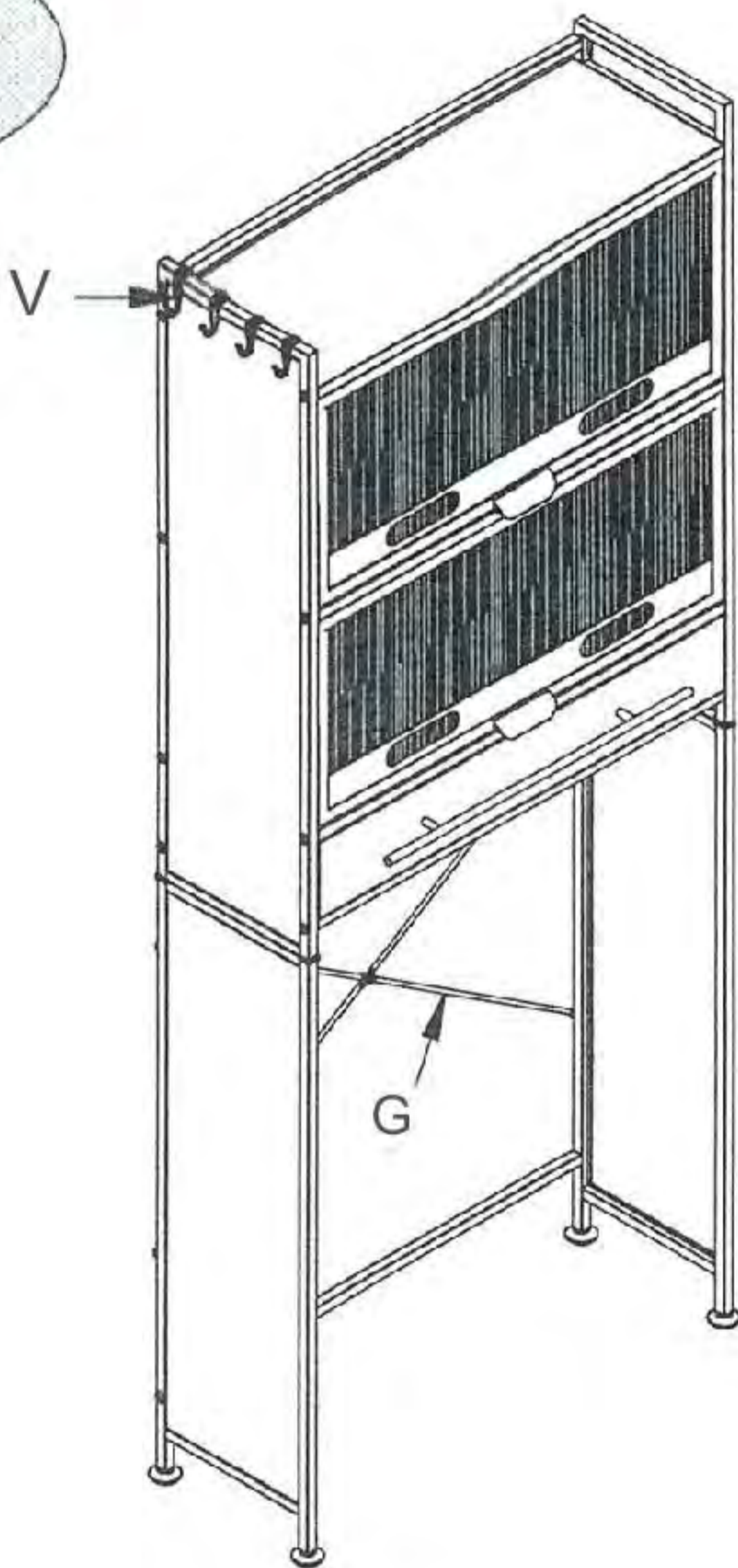


Parts list				
lower right side frame  A1=1X	Lower left side frame  A2=1X	Upper right side frame  B1=1X	Upper left side frame  B2=1X	
laminate  C=3X	door panel  D=2X	PET board  E=2X		
Large sun board  F=2X	crossbar  G=2X	Connecting pipe  H=4X		
Pan head hexagon socket screws M6*23  J=20X	Cross hexagon socket wrench 4mm*23*67  K=1X	Hexagon socket flat head bevel screws M6*12  L=7X	Adjusting feet  M=4X	
door handle  N=2X	Cross recessed round head screws M4*15  U=4X	Storage cabinet hook  V=4X	buckle  W=20X	
cap nut M6*12  Y=1X	small magnetic disk  Z=4X	(Single-end open-end wrench Opening 10mm  ZA=1X	invisible stickers  ZB=2X	
small sun board  ZC=1X	drawer  ZD=1X	drawer handle  ZE=1X	Cross round head screws M4*8  ZF=2X	Connector  ZG=4X

First tear off the flannel tape film and stick it on the back of the drawer according to the picture

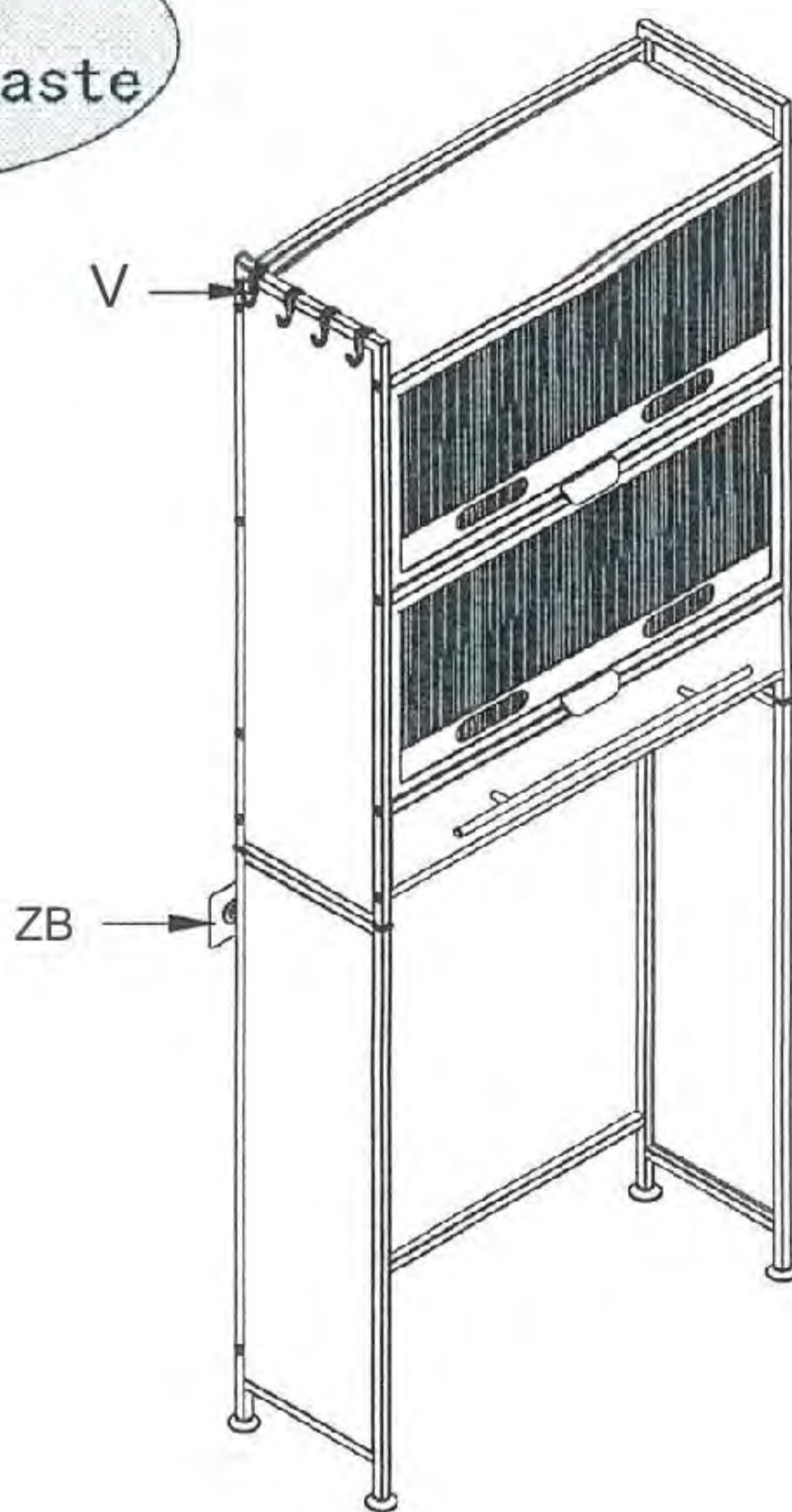
2. Product demonstration Product demonstration

Cross bar



ASSEMBLY INSTRUCTIONS

Traceless paste



3. Installation steps Installation steps

1. First screw the adjusting feet into the left and right lower side frames respectively, and then knock the connecting pieces into the left and right lower side frames respectively as shown in Figure 1. →

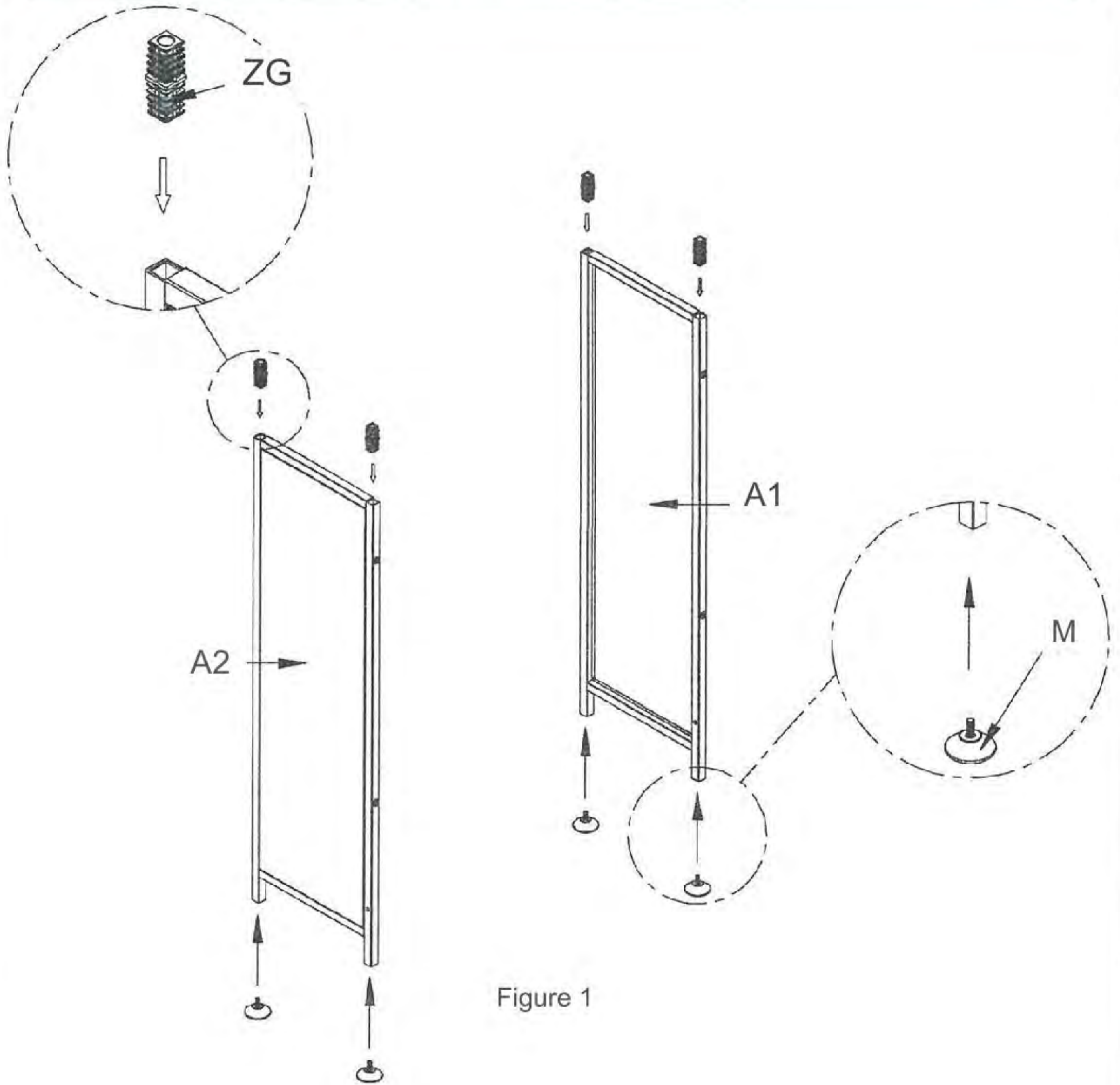
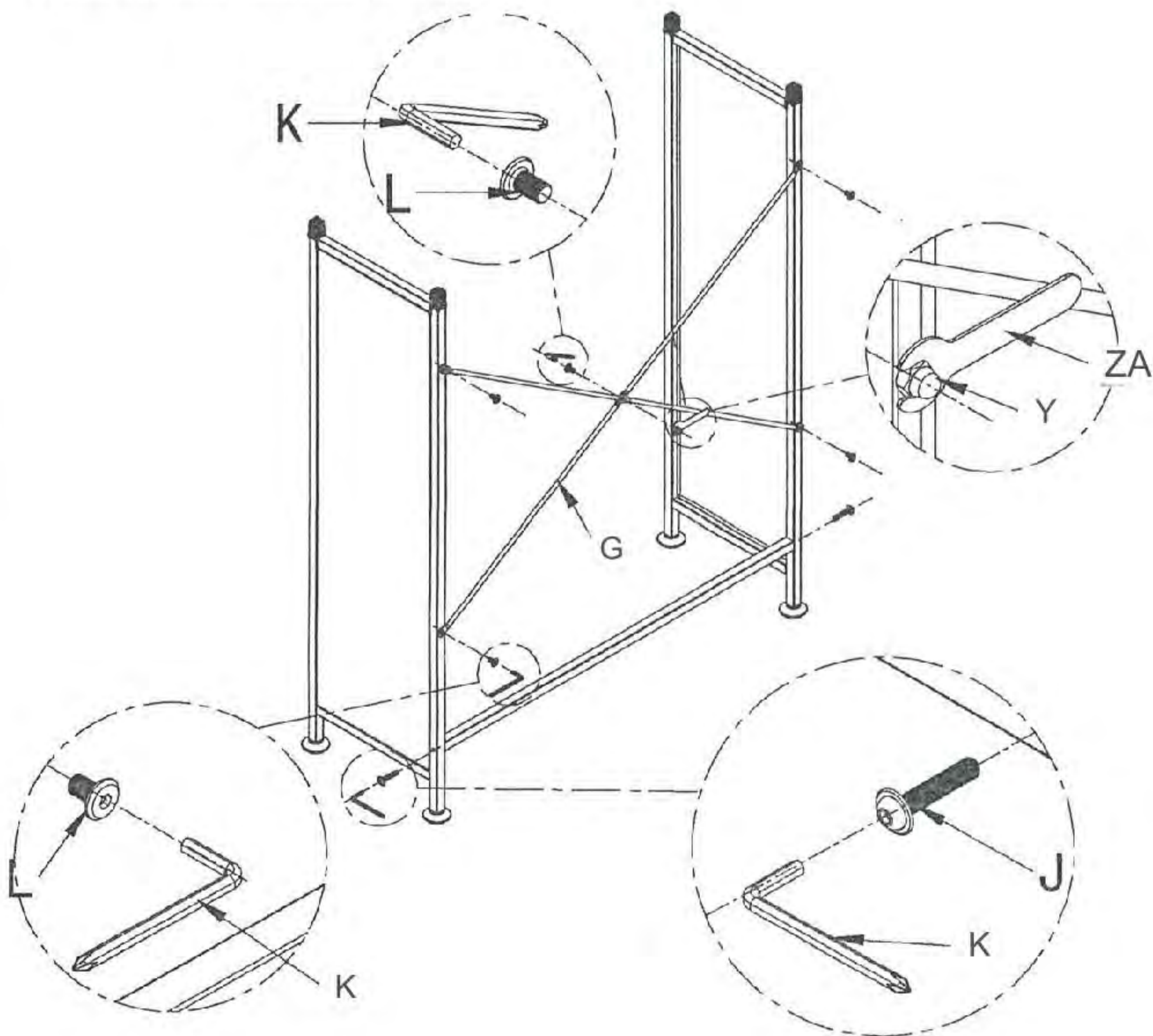


Figure 1

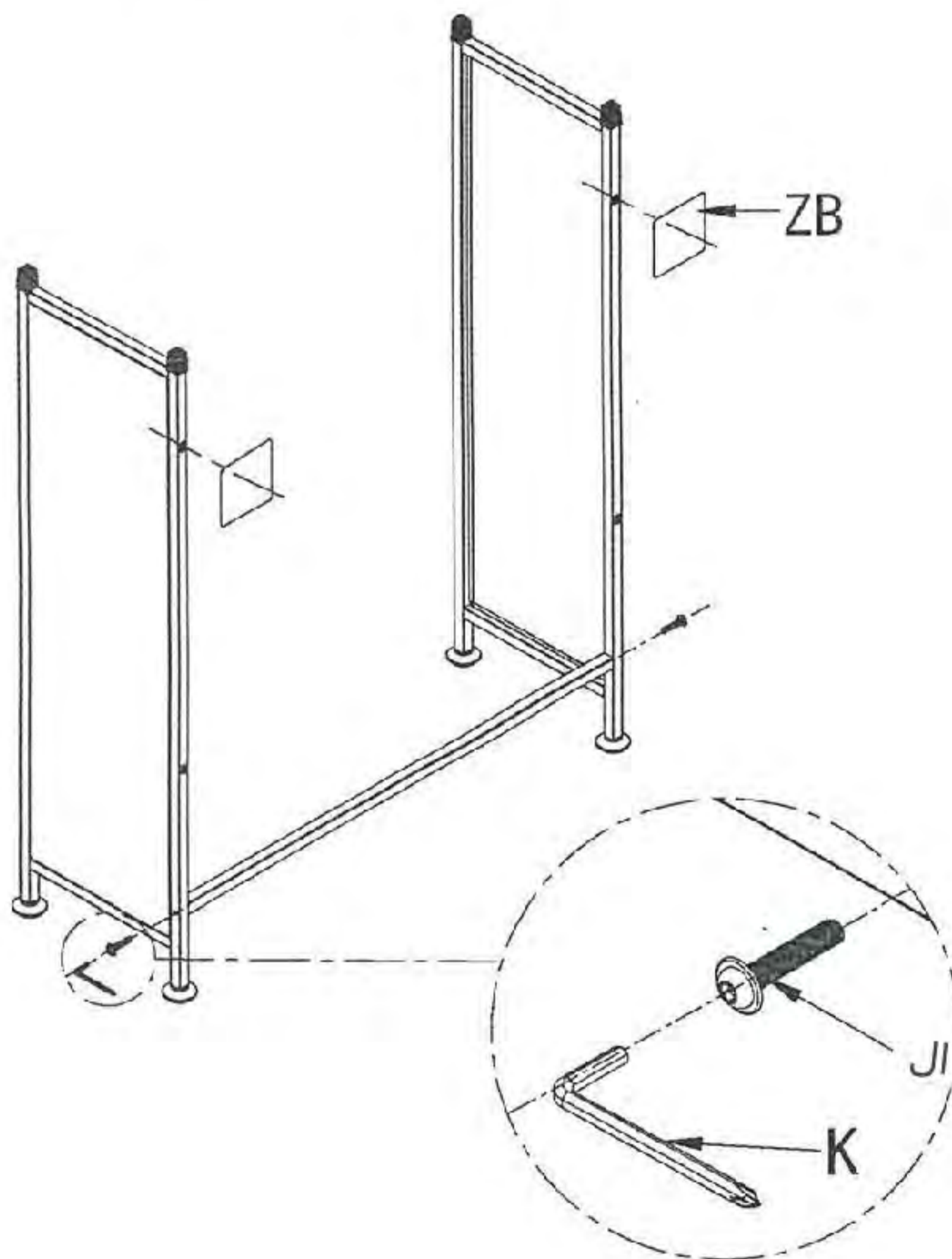
2. Use M6*23 pan-head hexagon socket screws to install and fix the connecting pipe to the left and right lower side frames, then use M6*12 hexagon socket flat-head bevel screws and M6*12 cap nuts to press the two cross rods as follows Installation shown in Figure 2

Applicable cross rods are installed according to this picture



2. Use M6*23 pan head hexagon socket screws to install and fix the connecting pipe to the left and right lower side frames, and then install the traceless sticker as shown in Figure 2.

Applicable traceless stickers are installed according to this picture



3. First tear off the 3M tape film on the small magnetic piece, and then stick it to the center of the left and right upper side frame blocks respectively, then insert and knock the left and right upper side frames into the left and right lower side frames respectively as shown in Figure 3, use M6*23 disk Use hexagonal head screws to fix the connecting pipe to the left and right upper side frames, then install the small sun panel into the guide groove, then use M4*8 crossround head screws to install the drawer and drawer handle, and then push the drawer into the guide rail and then use M6*12 hexagonal flat head bevel screws to lock into the U-shaped guide grooves on both sides as shown in Figure 4.

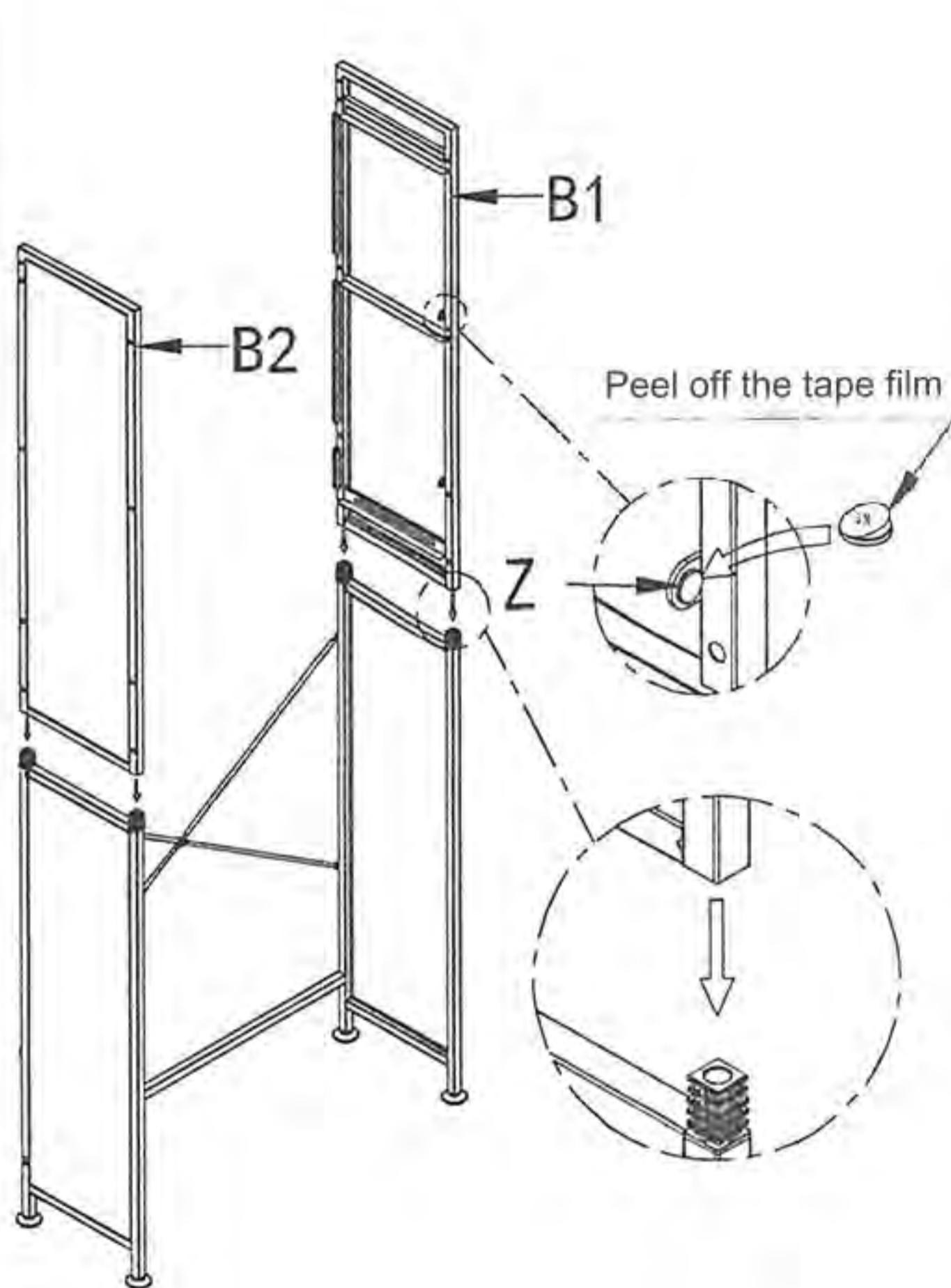


Figure 3

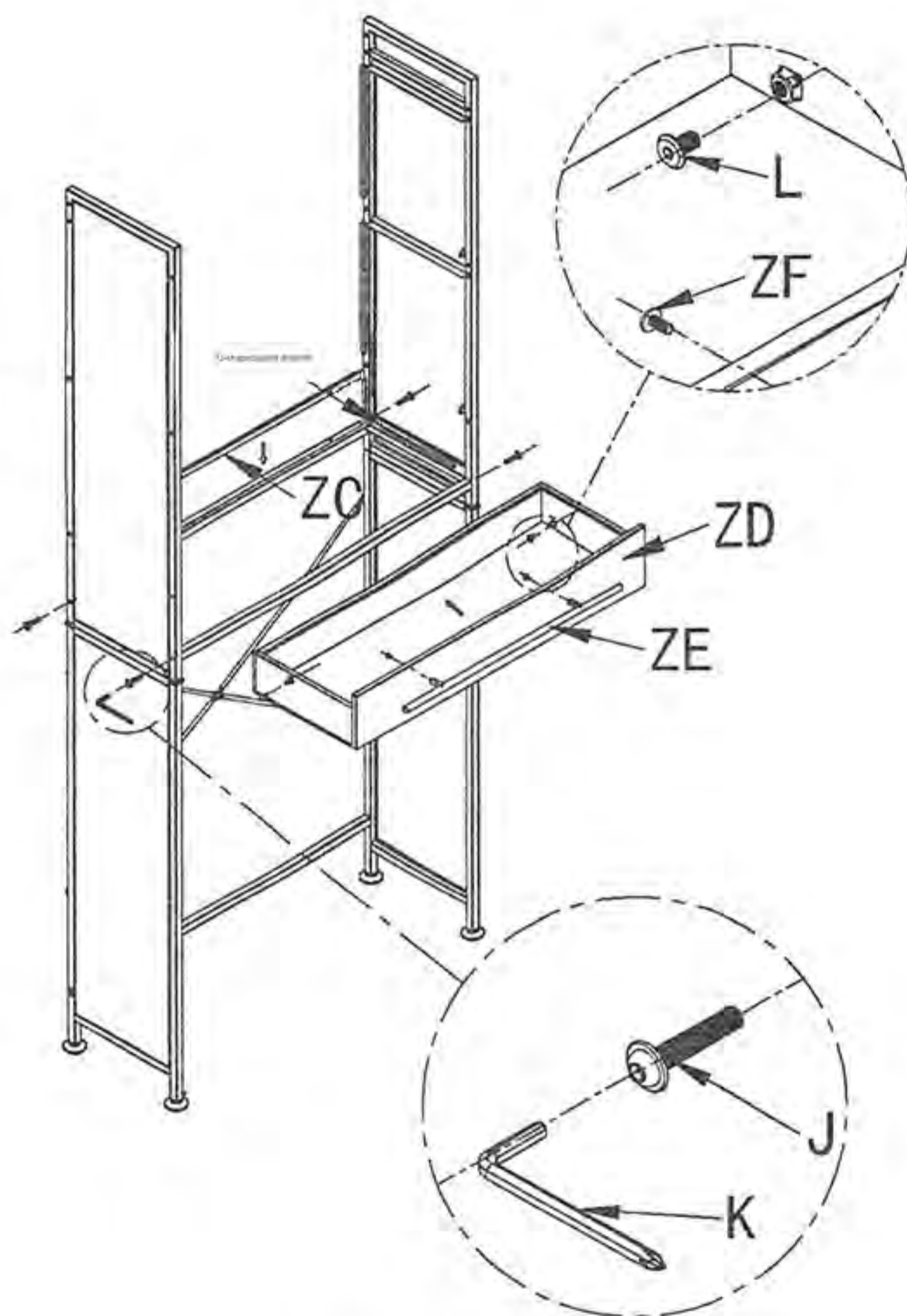


Figure 4

4. First use M6*23 pan-head hexagon socket screws to fix the shelf to the left and right upper side frames, then install the solar panel into the guide groove, as shown in Figure 5, and then install the shelf, solar panel, and connecting pipe in sequence as shown in Figure 5. six

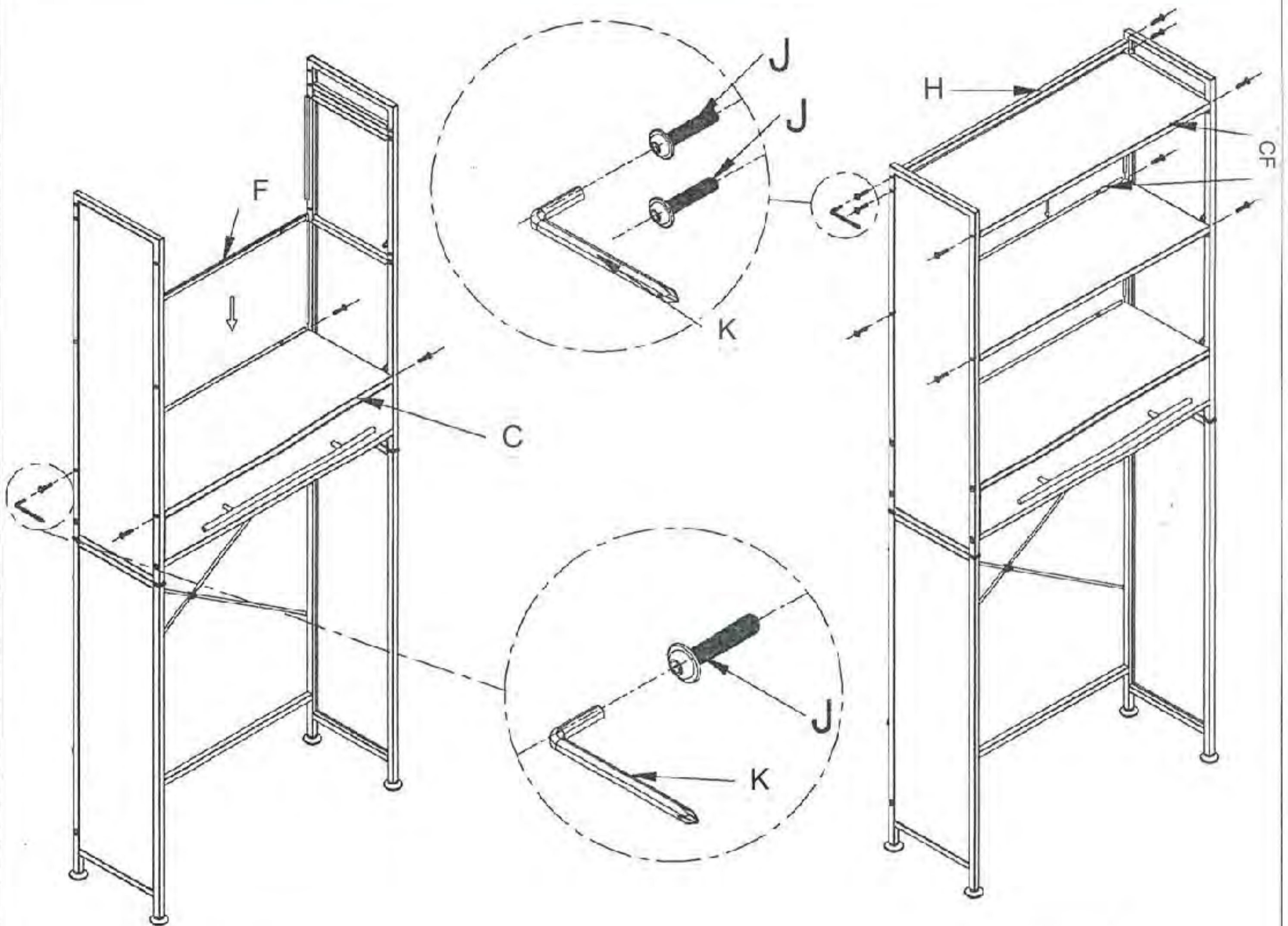


Figure 5

Figure 6

5. First tear off the film on both sides of the PET board as shown in Figure 7, then place the corrugated acrylic face forward into the door panel in the direction of the picture as shown in Figure 8

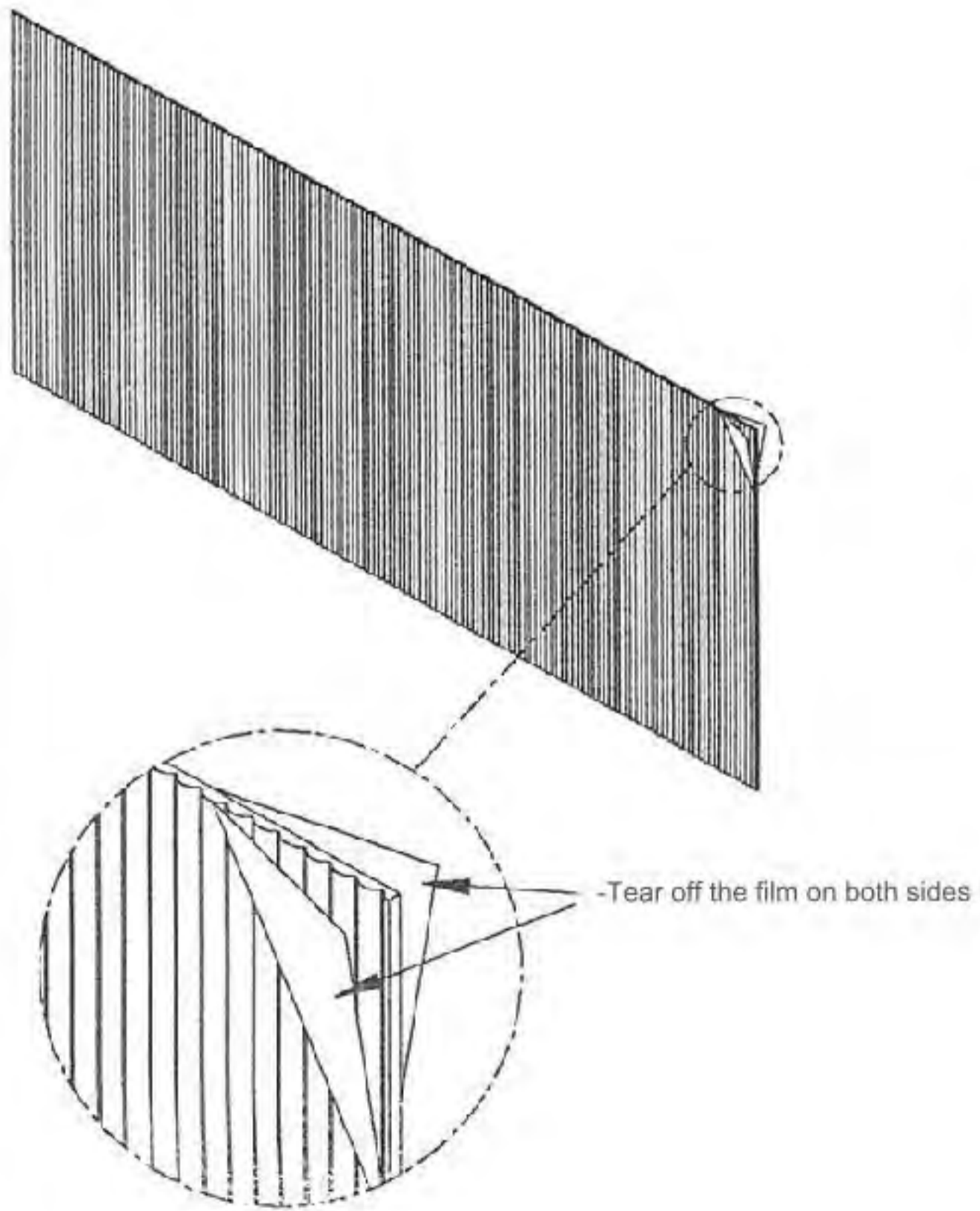


Figure 7

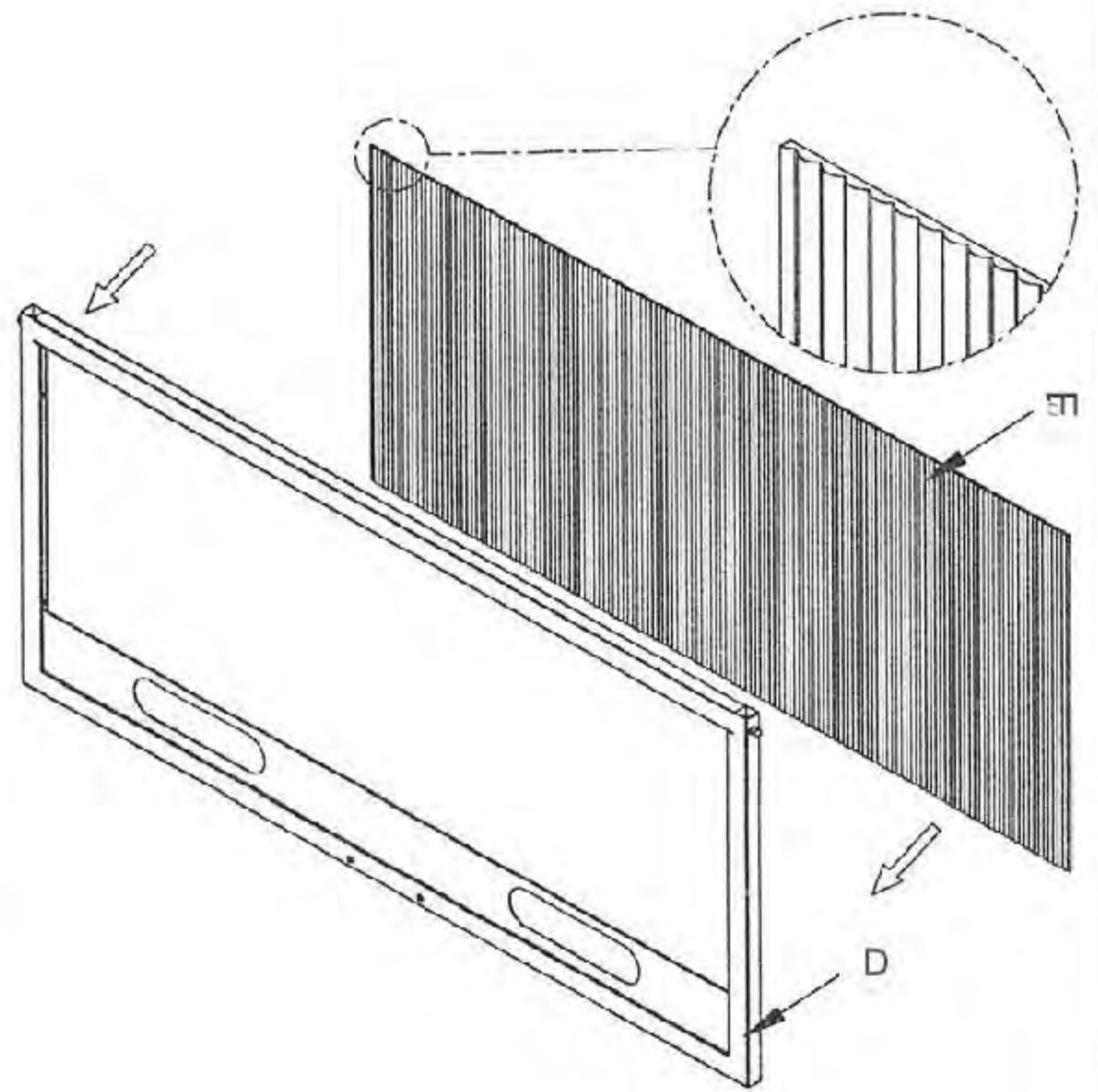


Figure 8

6. Turn the installed PET board door panel over and press the door panel buckles into the holes in the direction shown in Figure 9 to fix it.

Then use the cross pan head screws to fix the door panel from the back to the door handle in the direction shown in Figure 10, door panel

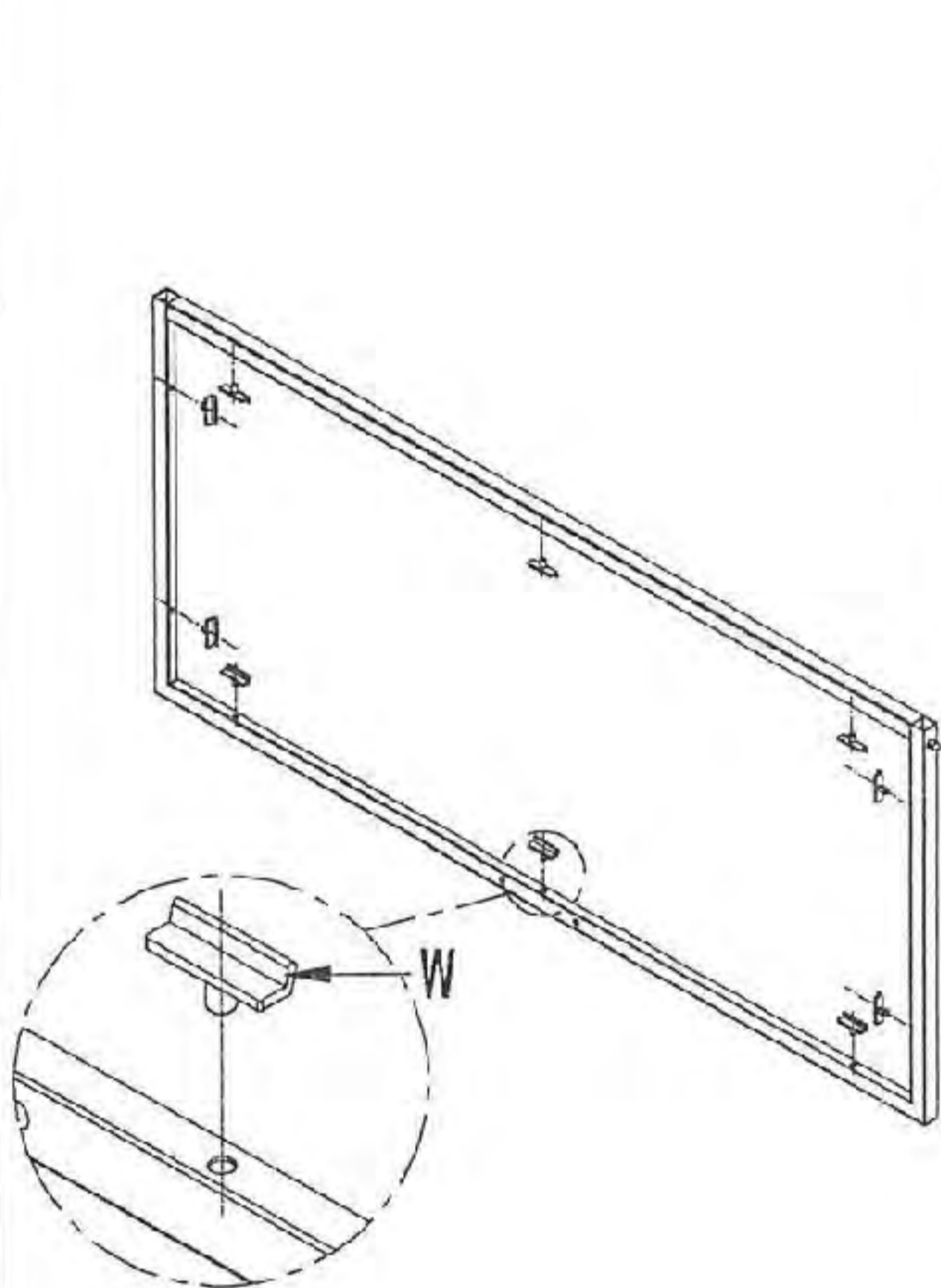


Figure 9

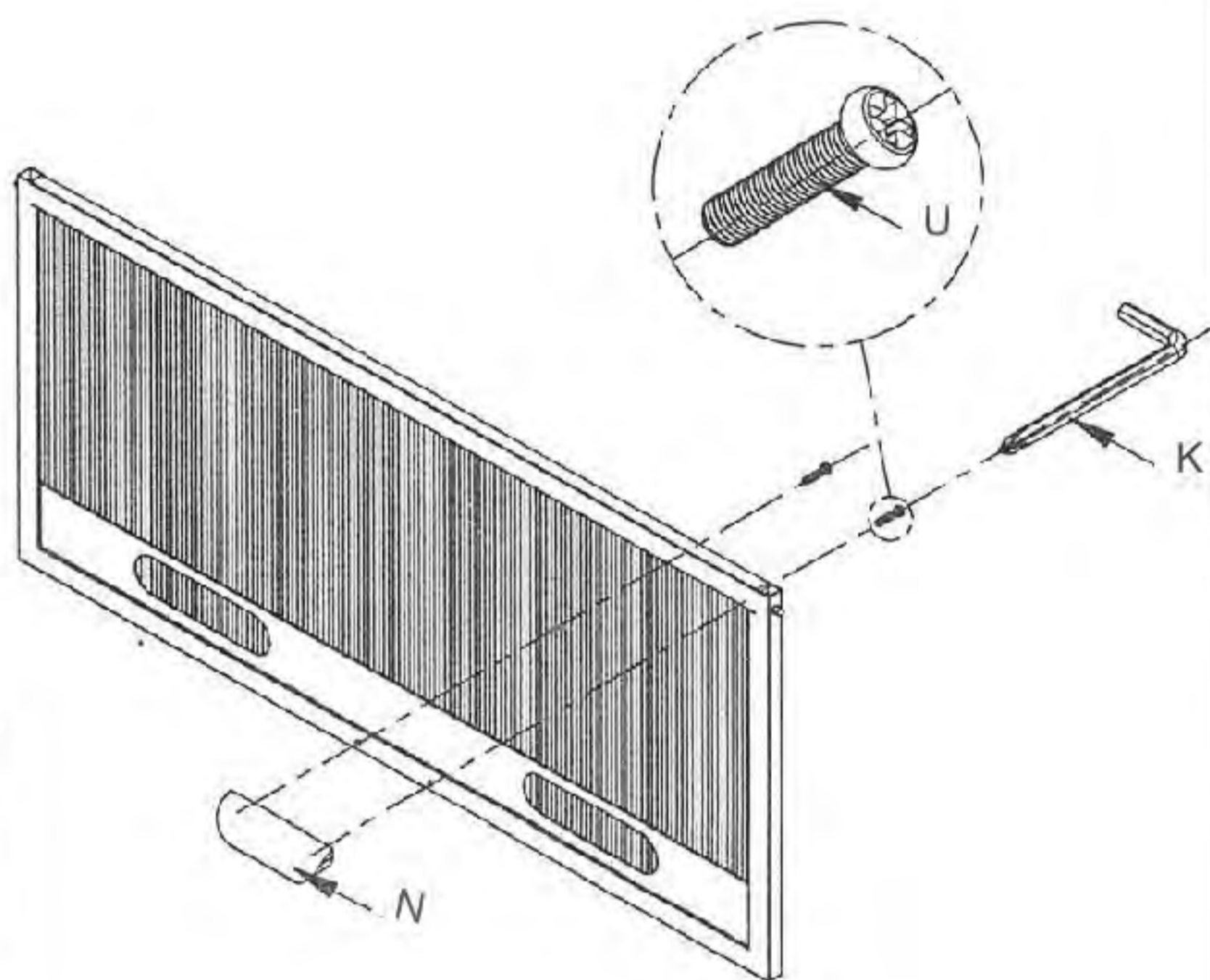


Figure 10

7. Press the buckles on both sides to snap the door frame into the guide rail grooves of the left and right upper and lower side frames, as shown in Figure 11. The door frame is retracted as shown in Figure 12.

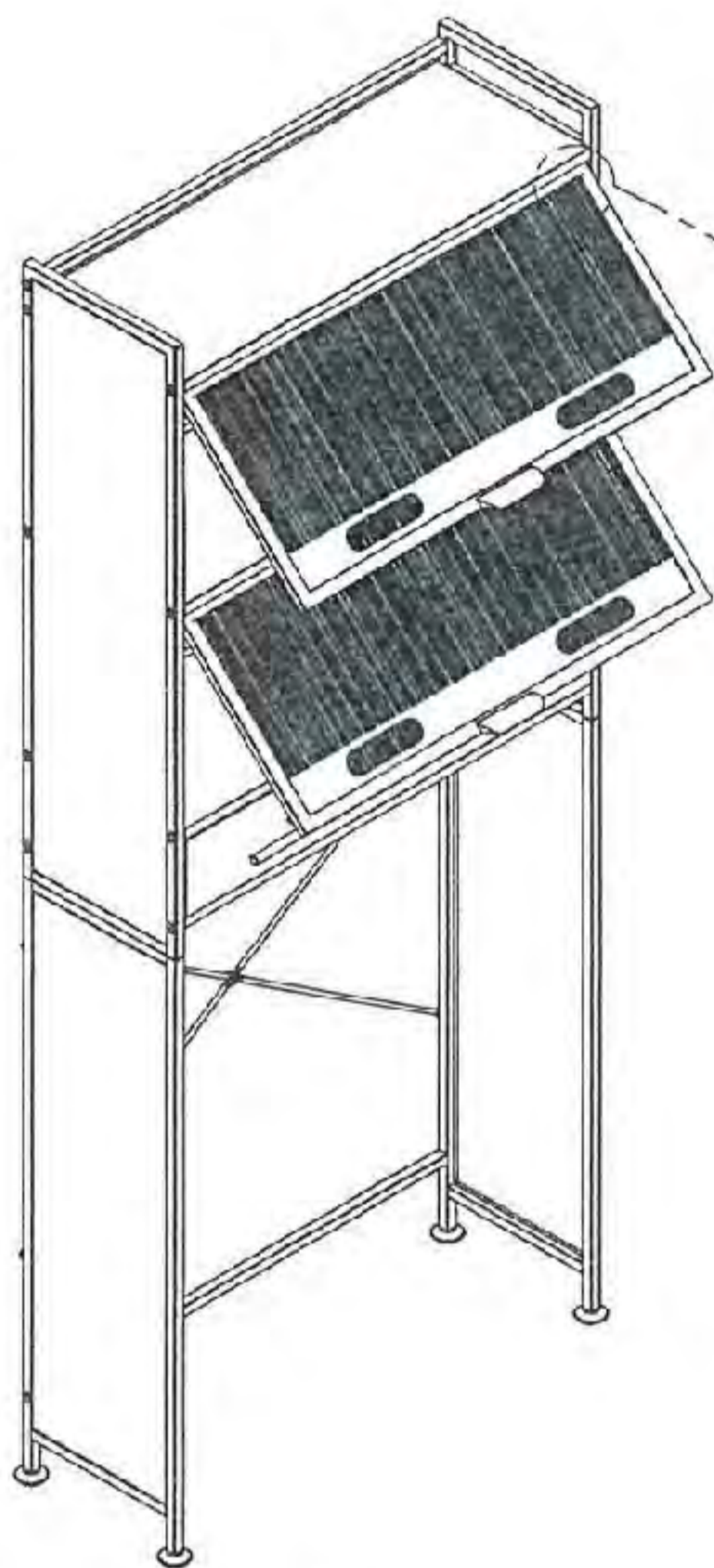


Figure 11

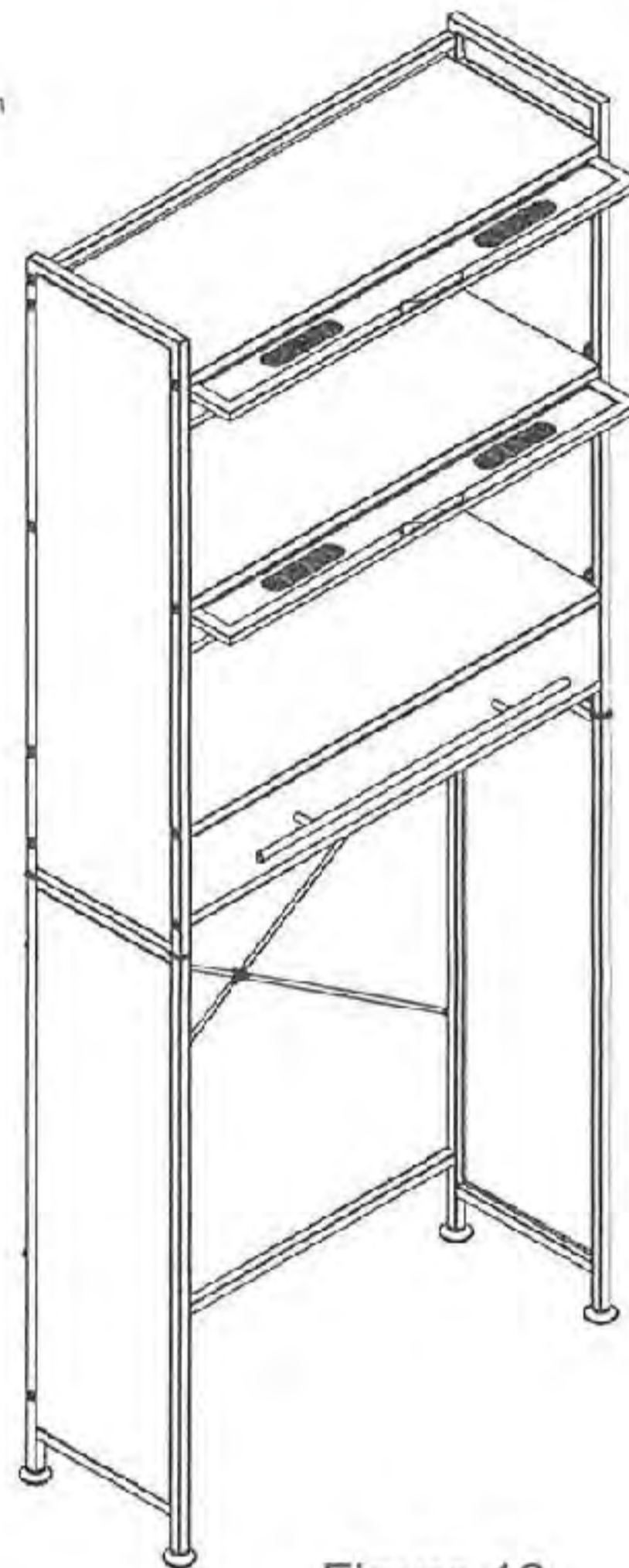
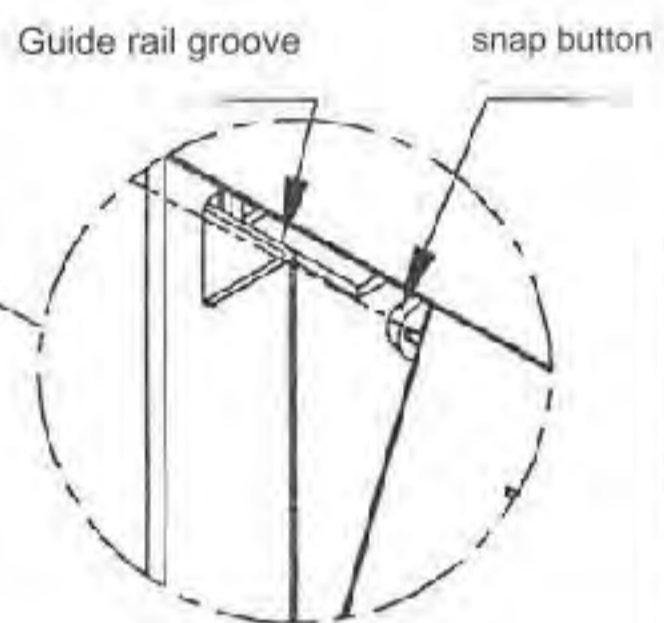


Figure 12