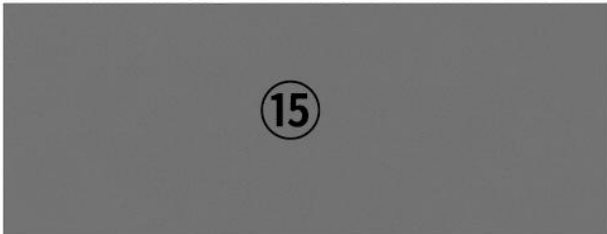
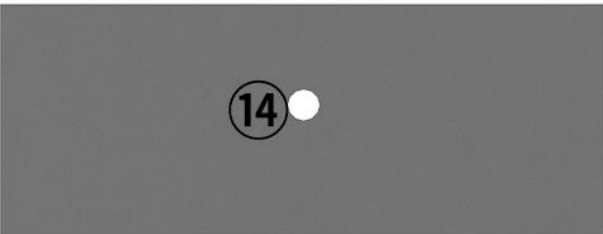
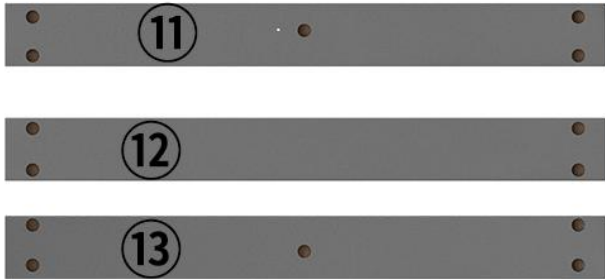
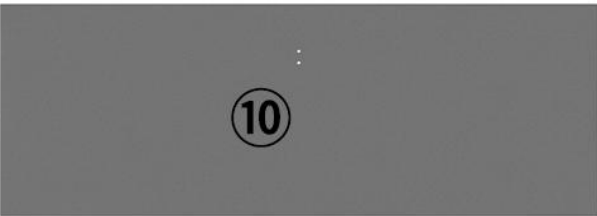
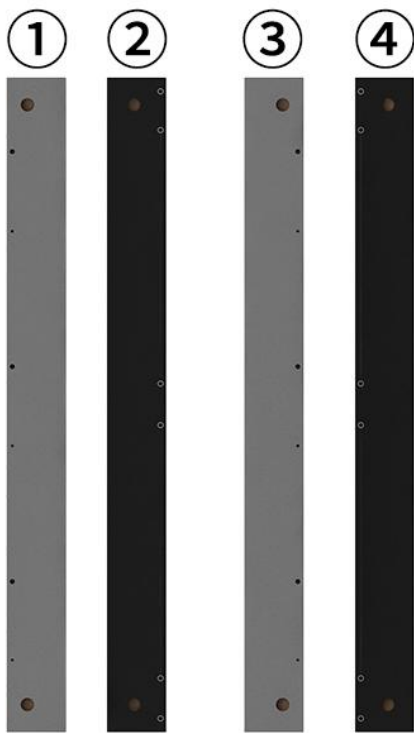
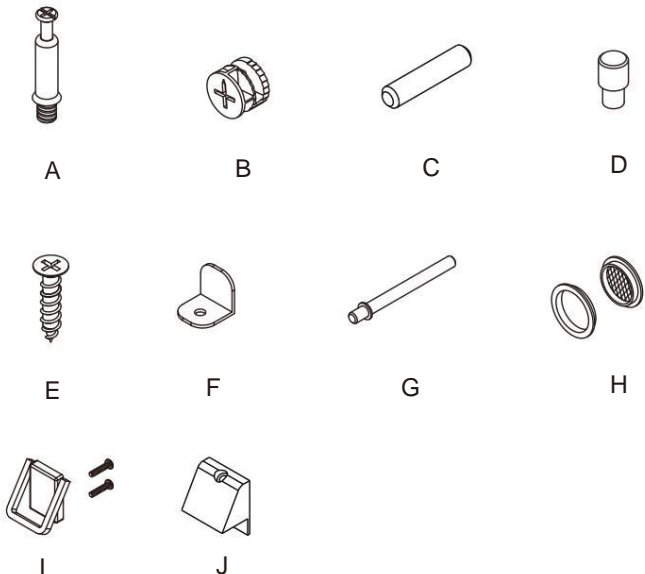
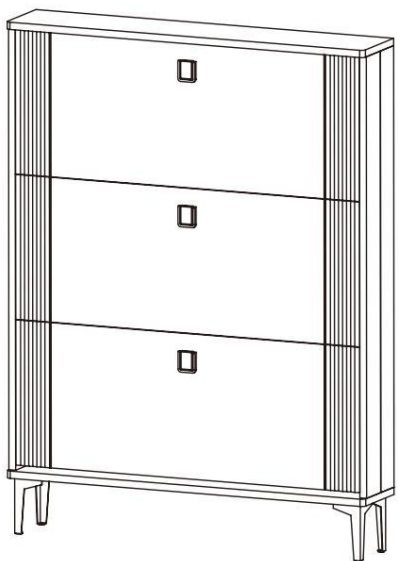


# SOCE042-17CM Installation Instruction



Board 14 and 15 are very THIN boards.  
They might be packaged at the very bottom of all the boards or under the foam boards.

Please be sure to use a manual screwdriver and refrain from using an electric drill.



**1**

1. Use C to connect the panel 1 and 2 together as shown. Repeat the step for panel 3 and 4.

**2**

2. Gently tap D into the side panel. Make sure it is flush with the board surface.

**3**

3. As shown in the figure, screw A into all board embedded parts.

**4**

4. Insert the left and right brackets into the hole in the panel 10.

**6**

6. Use E to fix the panel 7 on the bracket. And fix F on the door panel, the position is as shown in the figure.

**8**

8. Insert panel 11, 12, 13 into the side panel in sequence. Use B to lock it.

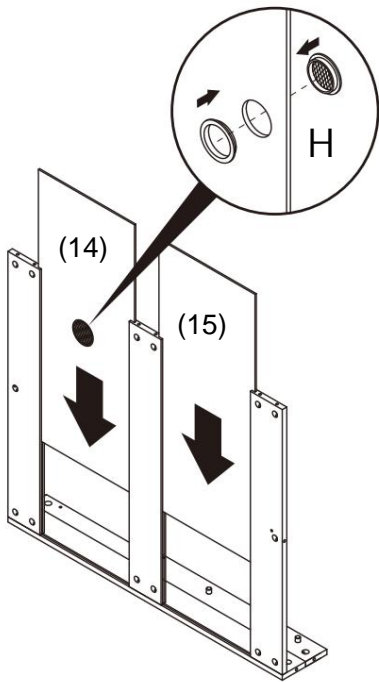
**5**

5. Use E to fix the lower panel 9 on the bracket.

**7**

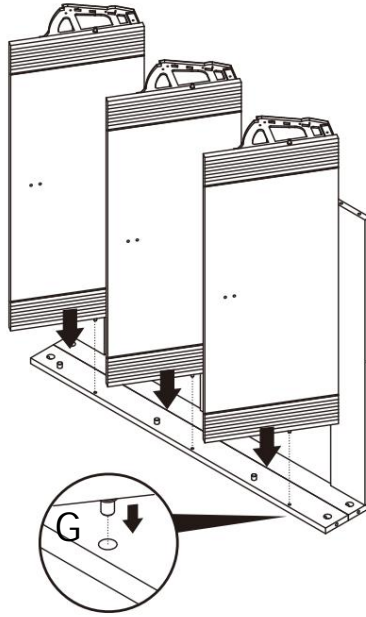
7. Insert G into the side hole of the panel 10 as shown.

9



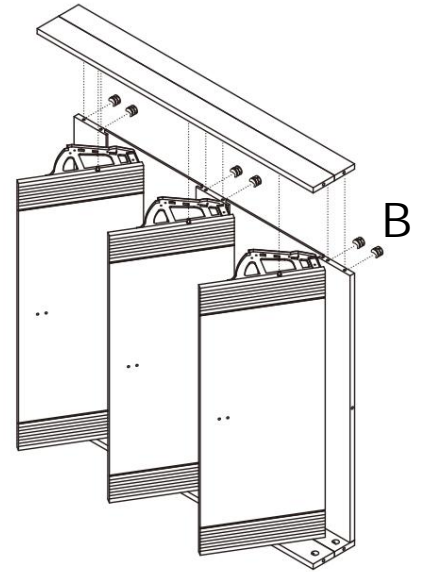
9. Install H on the back panel and insert the two back panels 14,15 onto the pull bars, as shown in the figure.

10



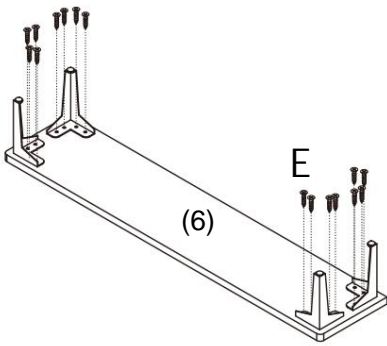
10. As shown in the figure, insert the G of the three installed door panels into the side panel hole.

11



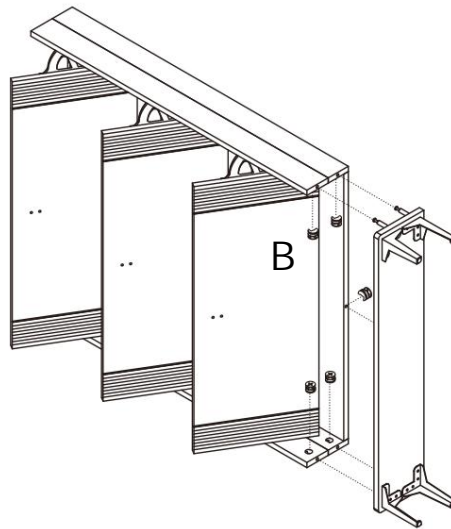
11. Install the other side panel as shown in the figure, align it with the door axis and insert it. Use B to lock it.

12



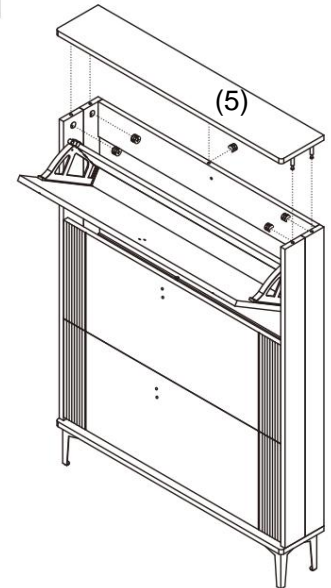
12. Fix the cabinet legs to the bottom panel 6 with E.

13



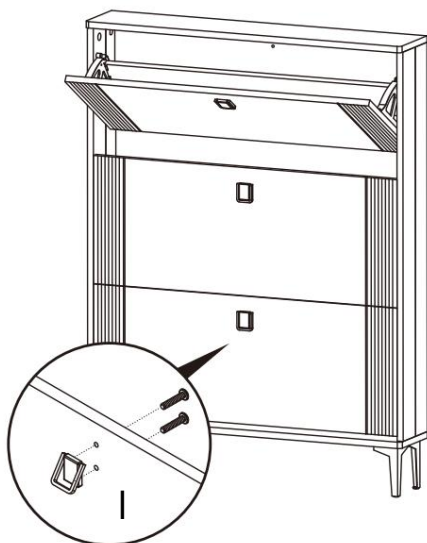
13. Install the bottom panel as shown.

14



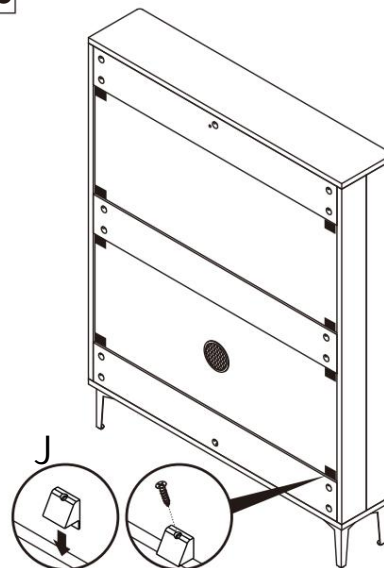
14. Install the top panel 5 as shown.

15



15. Install I to the door panel as shown.

16



16. Fix J to the back of the cabinet in the position shown in the figure. The installation is completed.

17

