

# Furniture installation



Please be sure to use a manual screwdriver and refrain from using an electric drill.

## SOCE008 - 25CM Installation Instruction



①



②



③



④



⑤



⑥



⑦



⑧



⑨



⑩



⑪



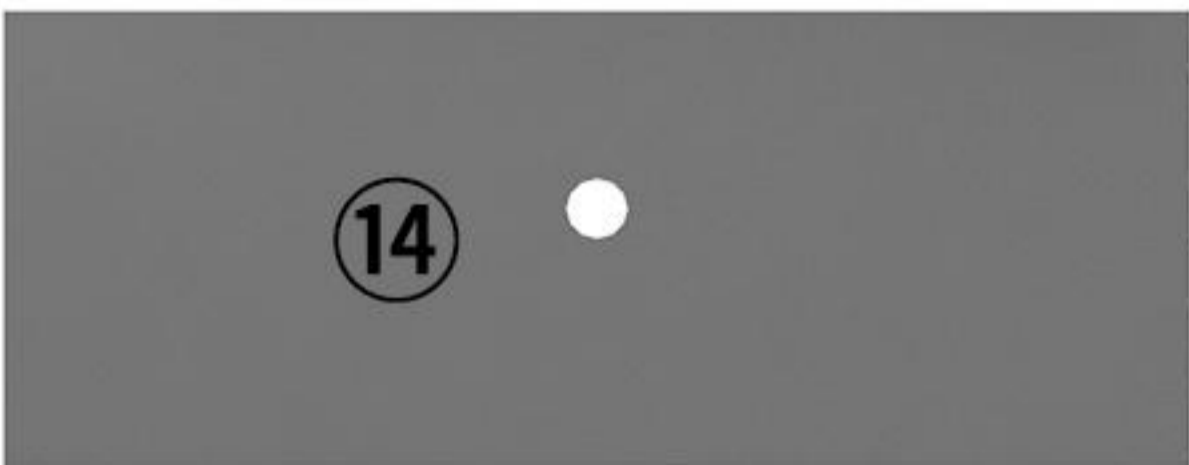
⑫



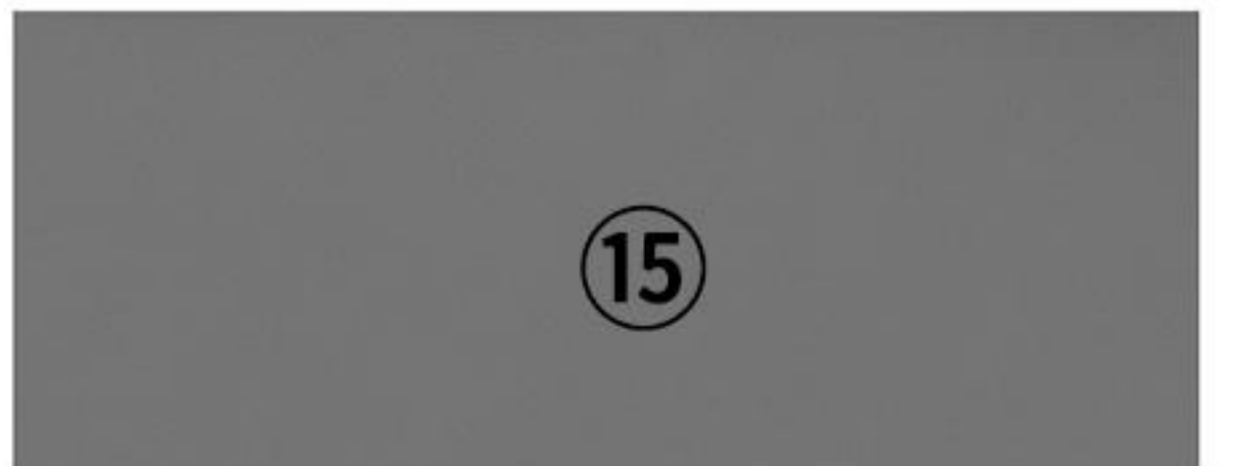
⑬



⑭



⑮





W9\*1



K6\*8



L11\*3



B16\*6



J26\*3



D1\*22



D7\*8



P10\*6



S15\*6



A1\*42



B11\*24



K11\*1



Tripod Legs

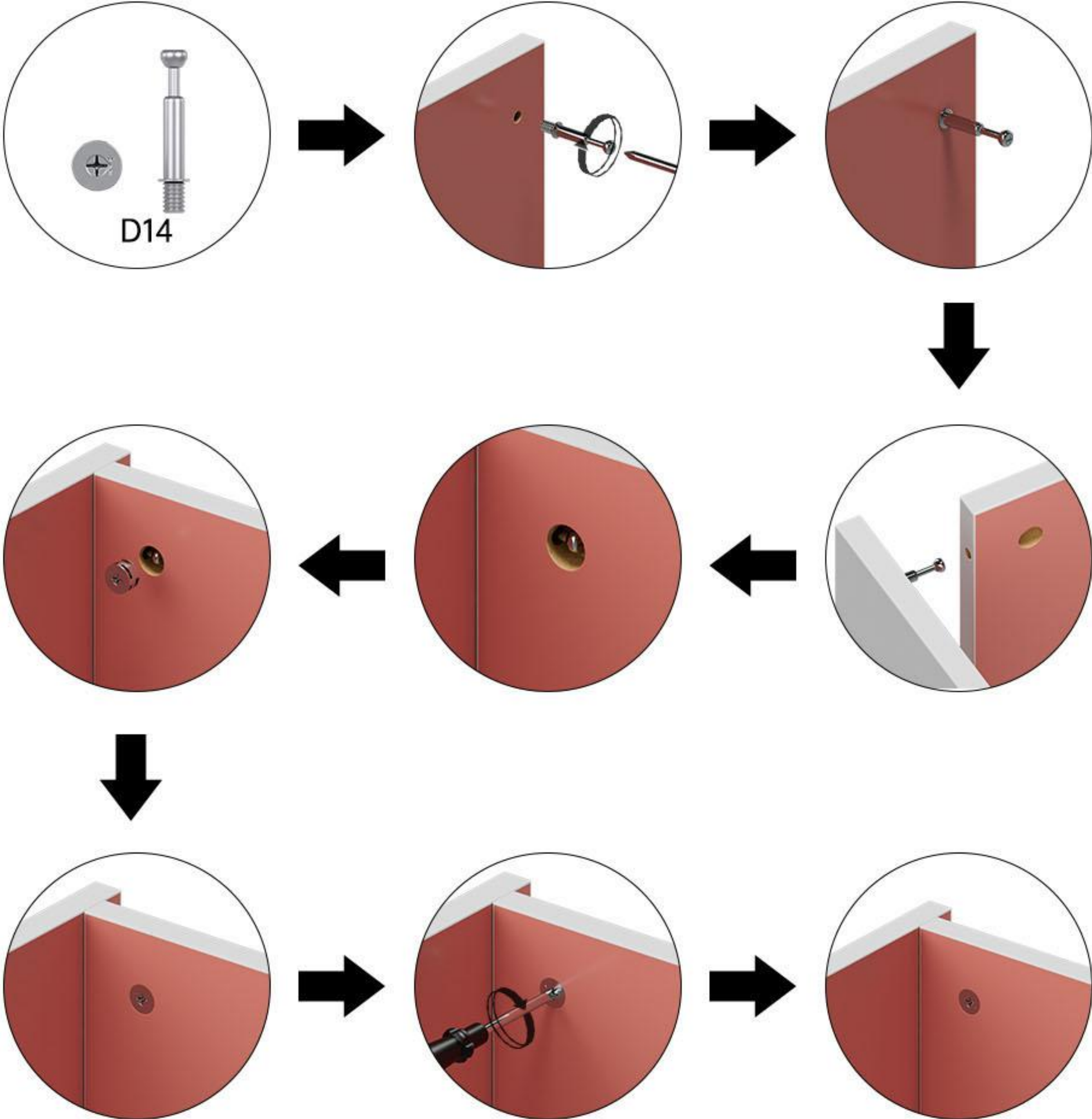


Cylindrical  
Legs



Flip-bin hinge

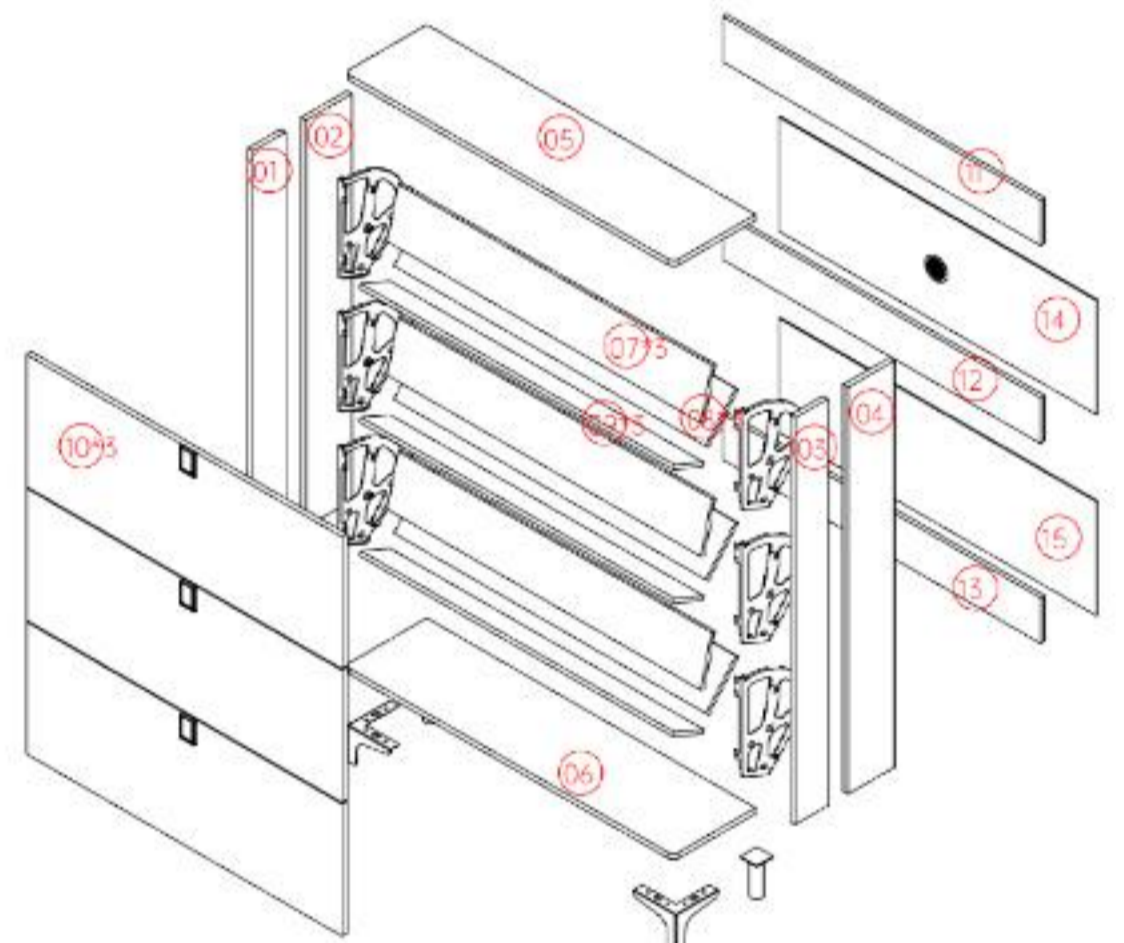
# Installation method of eccentric screw



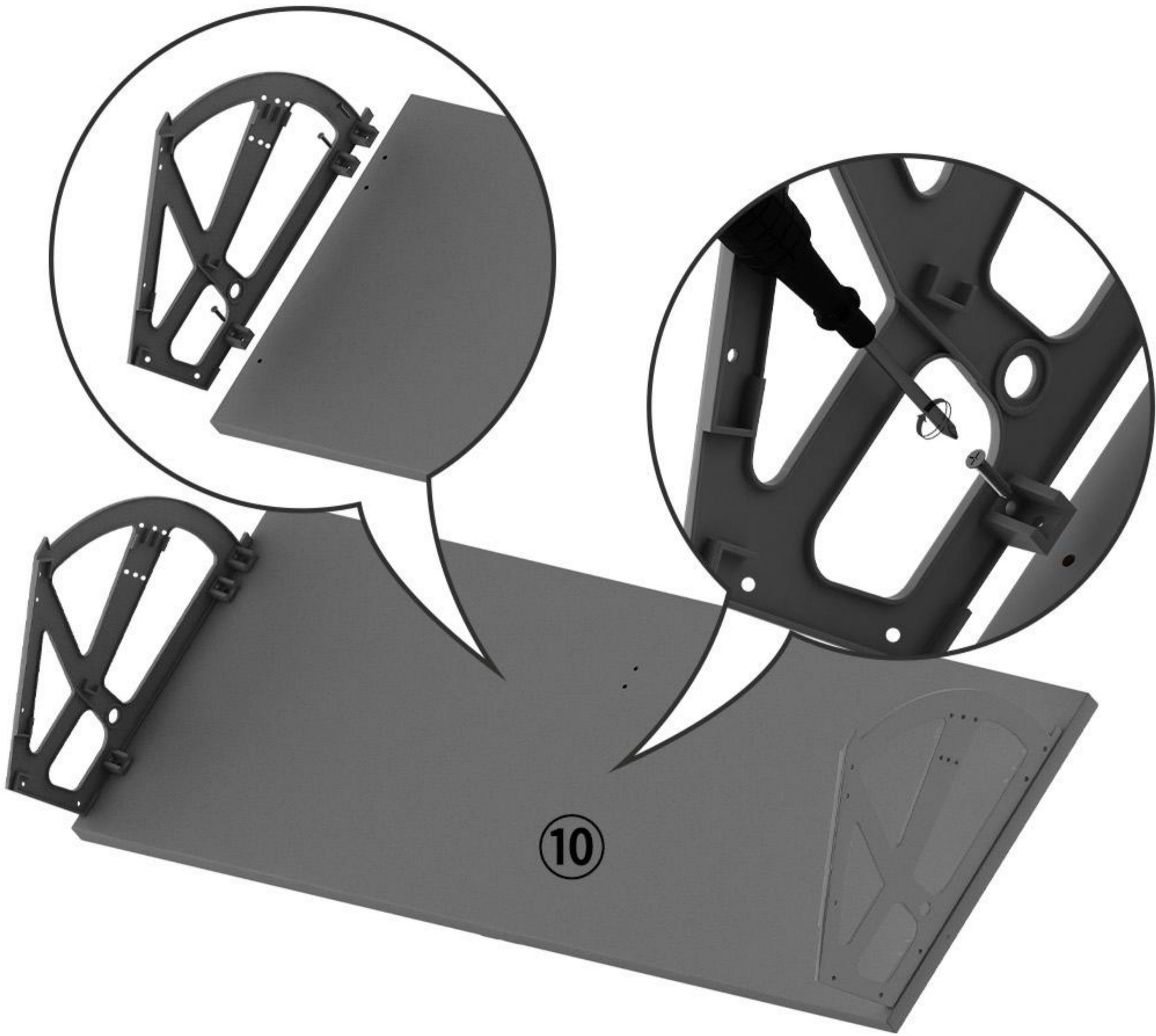
## Presentation of finished product



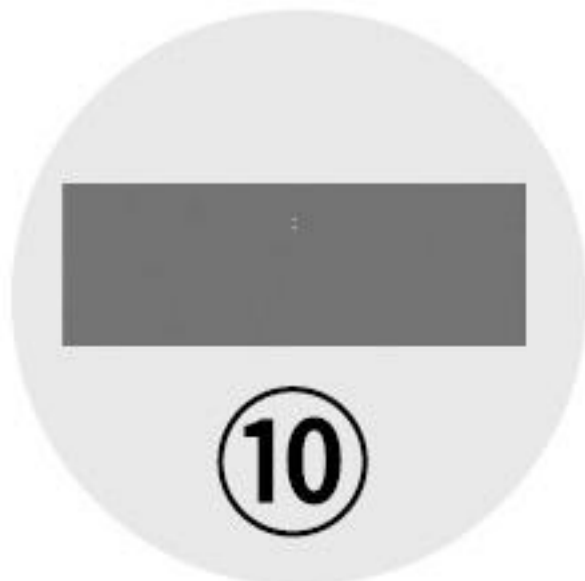
## Product Split Diagram



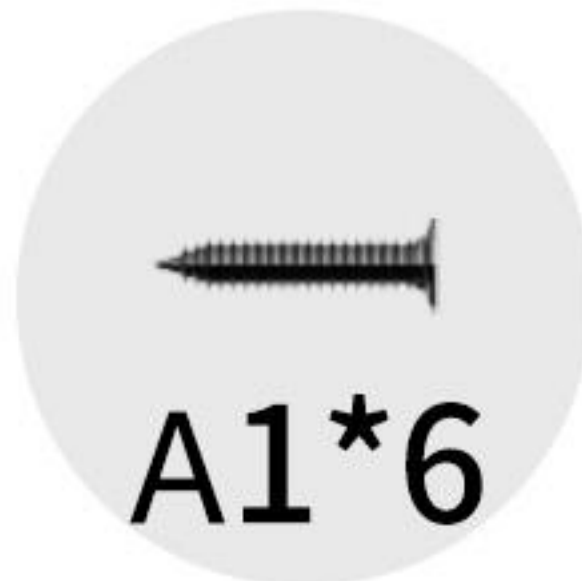
1



Flip-bin hinge

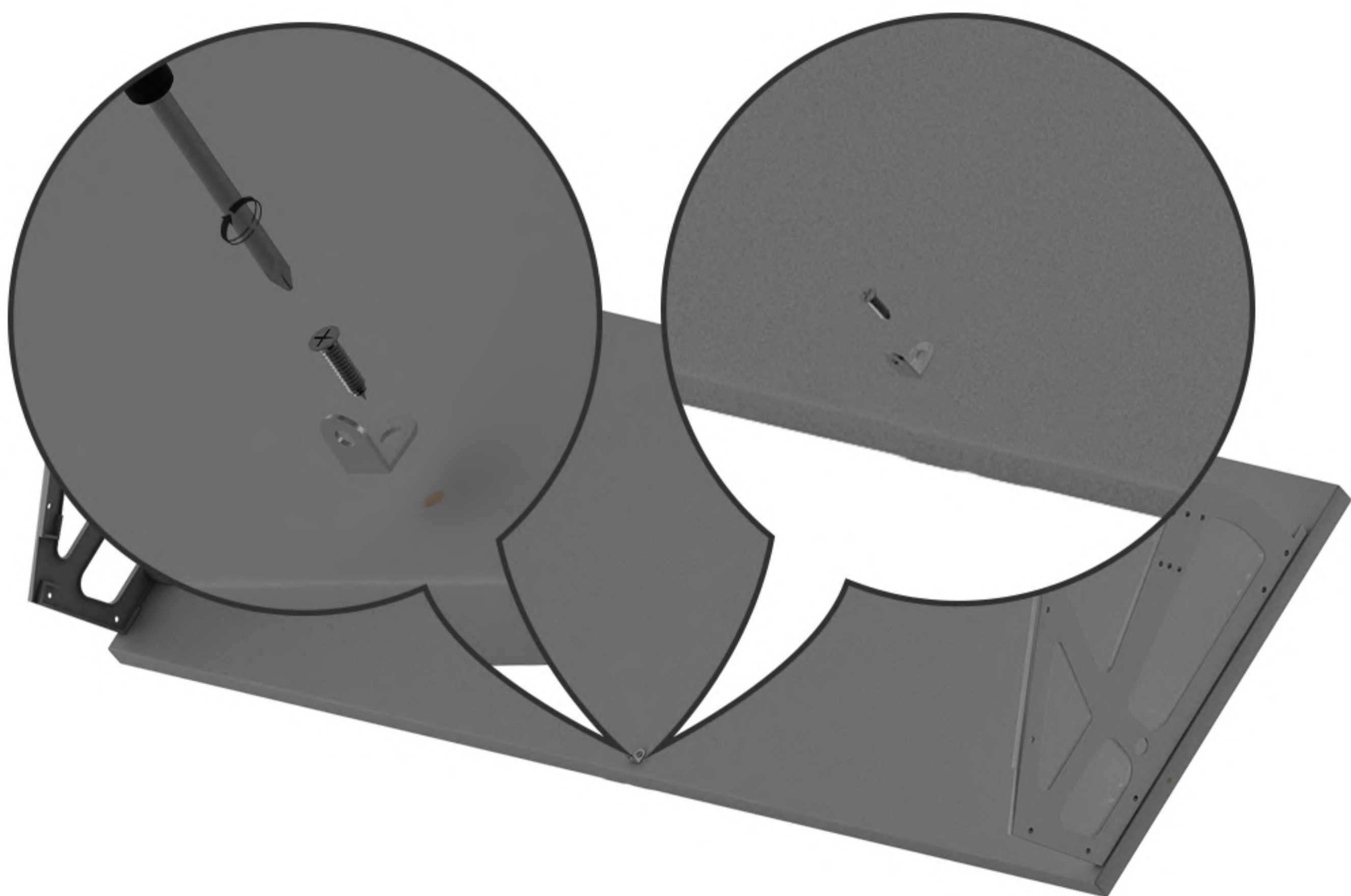


10



A1\*6

2



**L11**



**A1\*1**

3

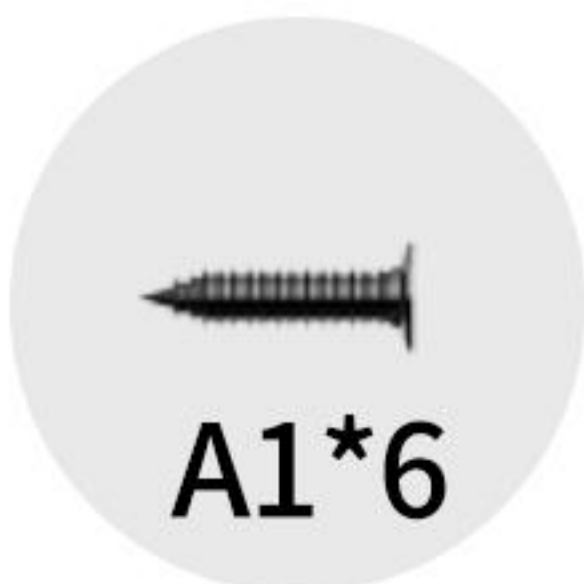
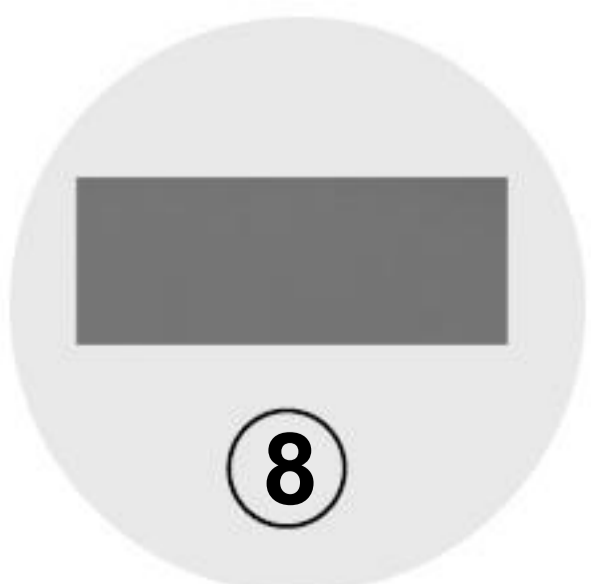
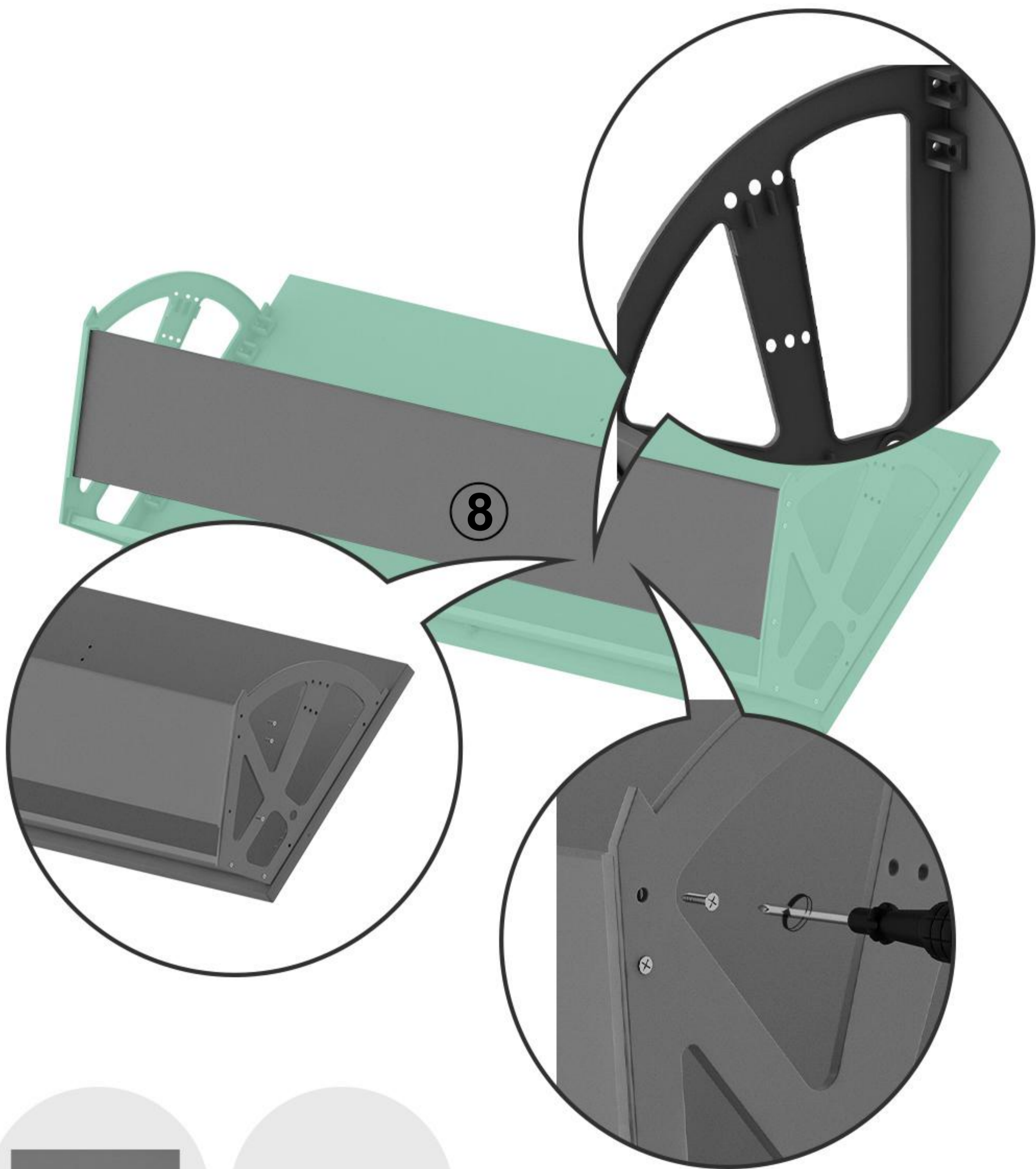


A1\*4

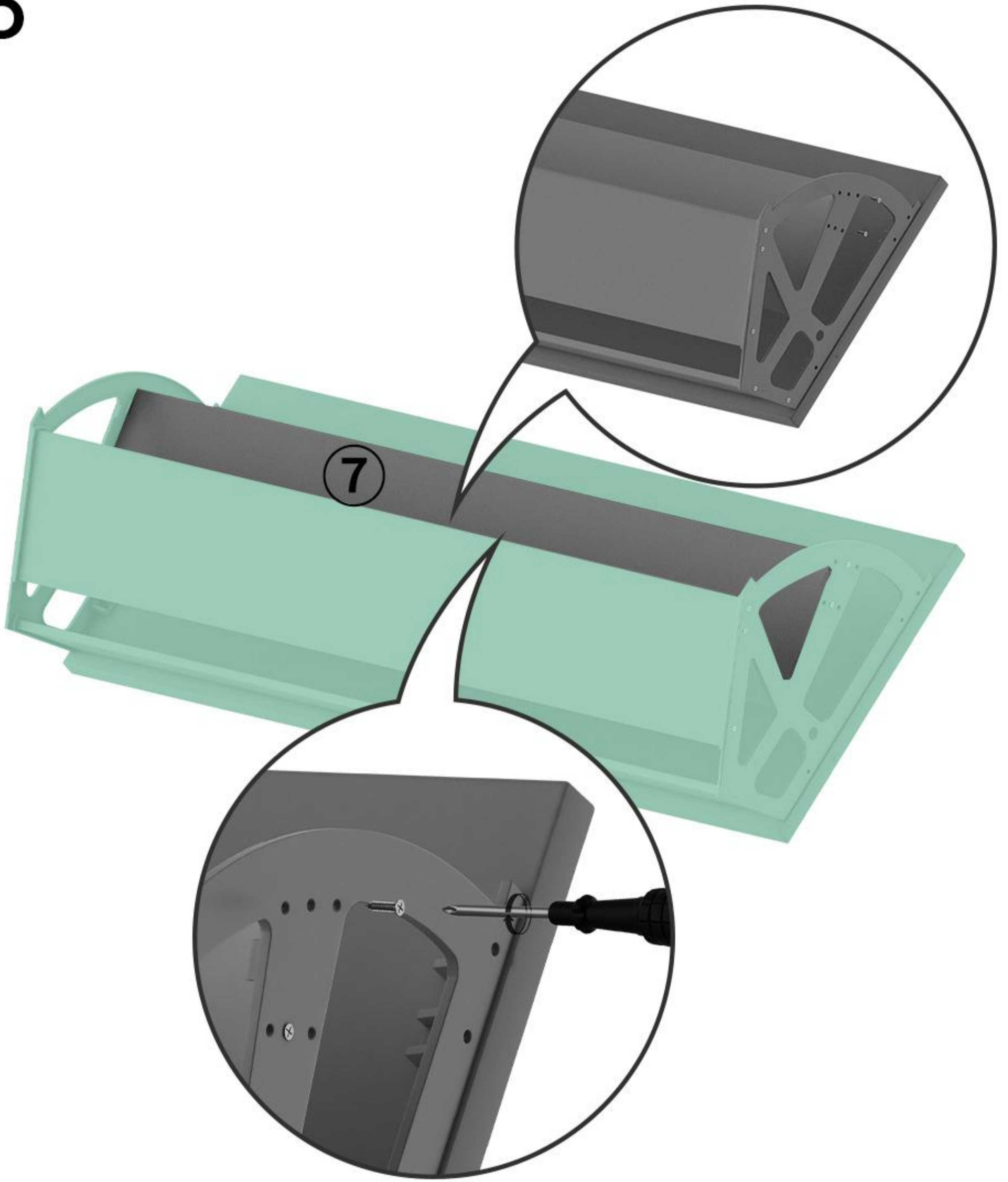


4

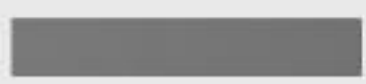
3 Adjustable Levels



5

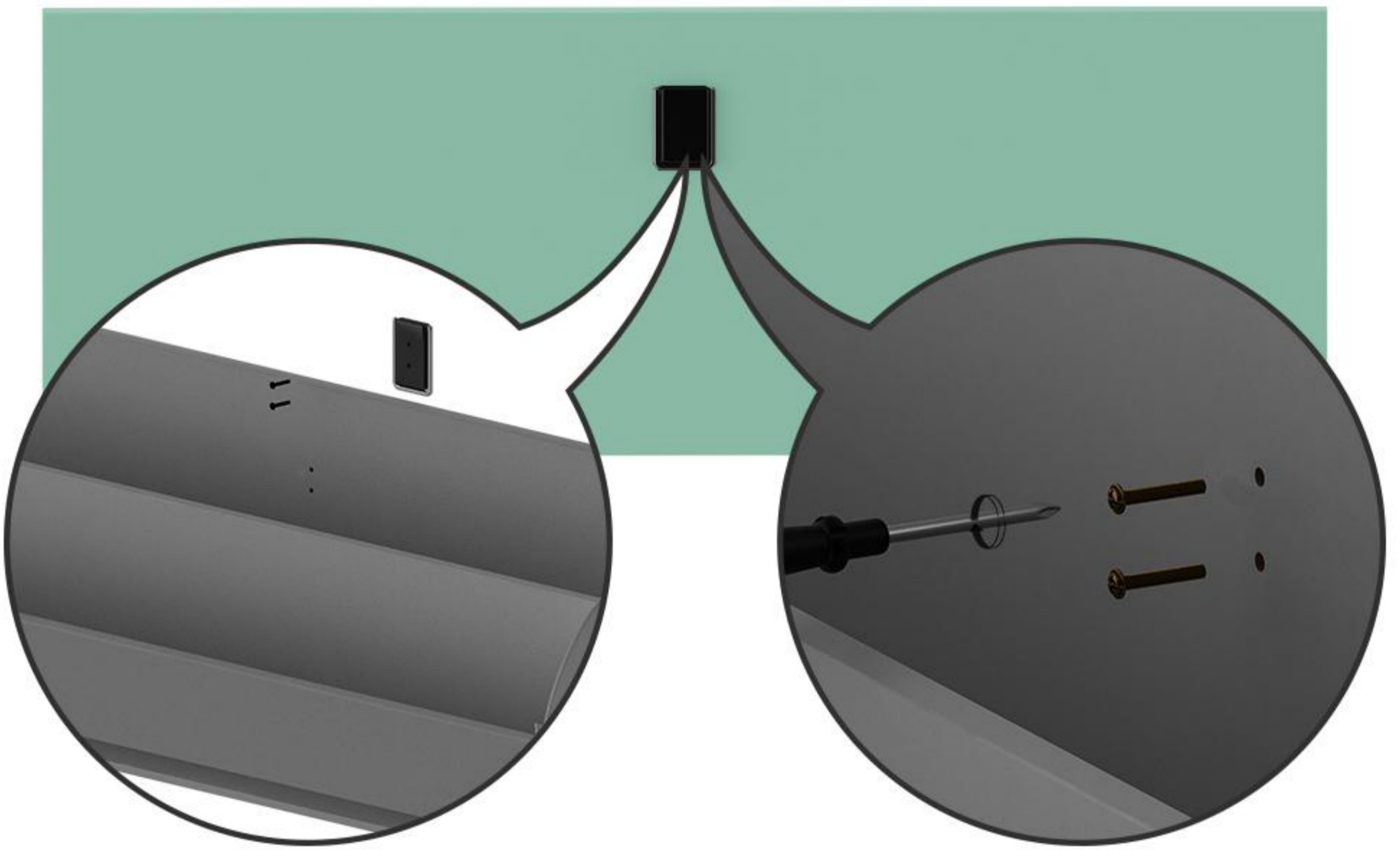


A1\*4



7

6

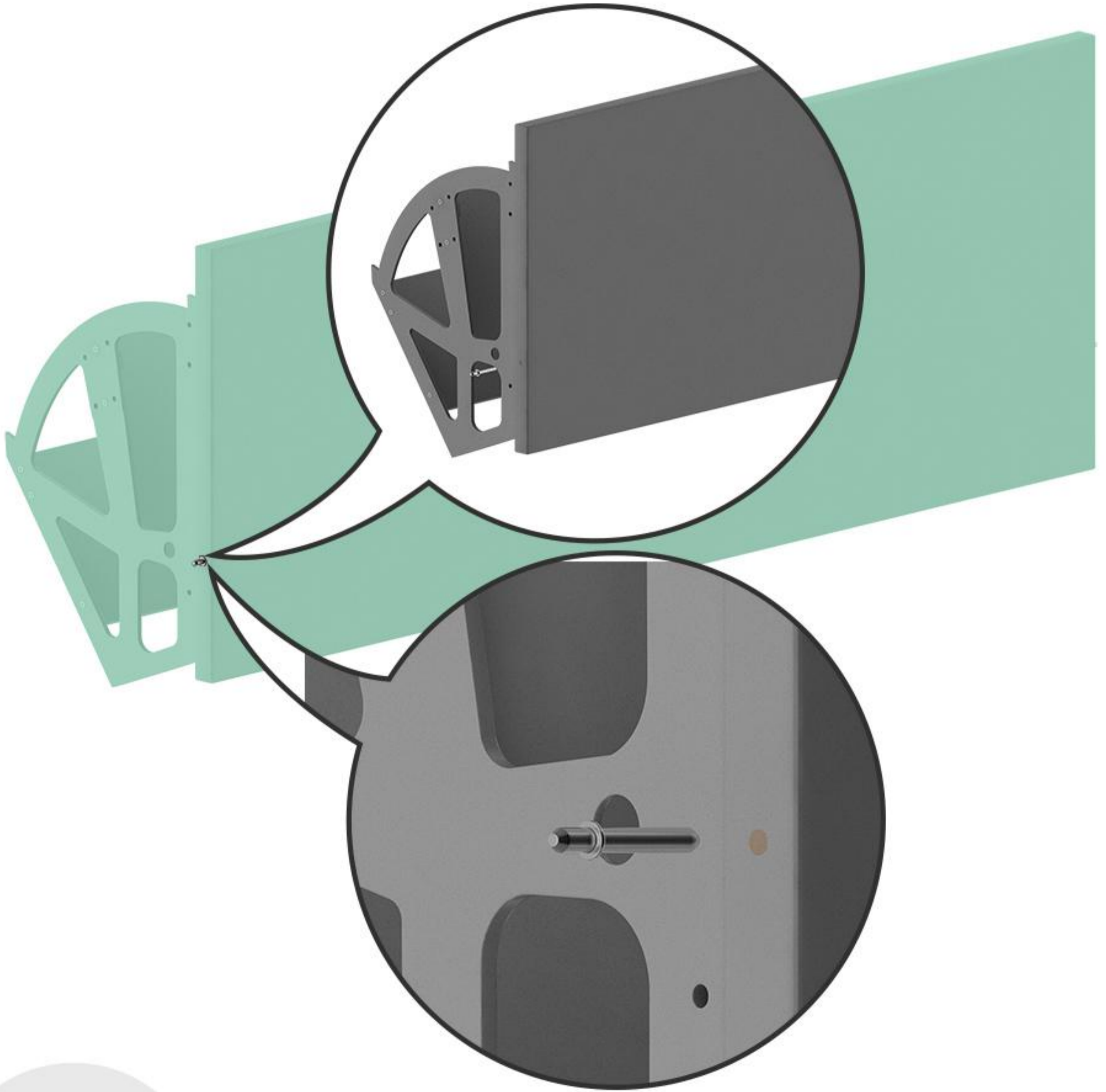


J62



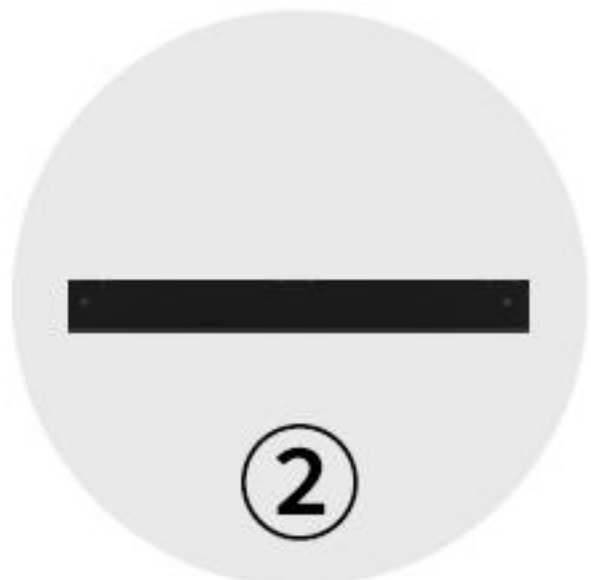
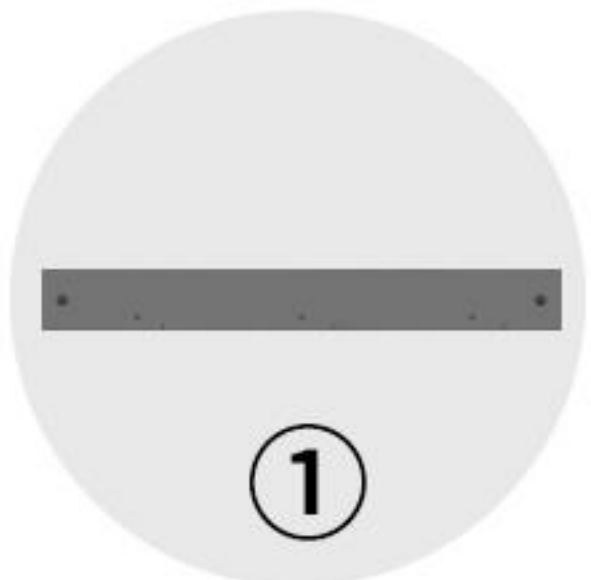
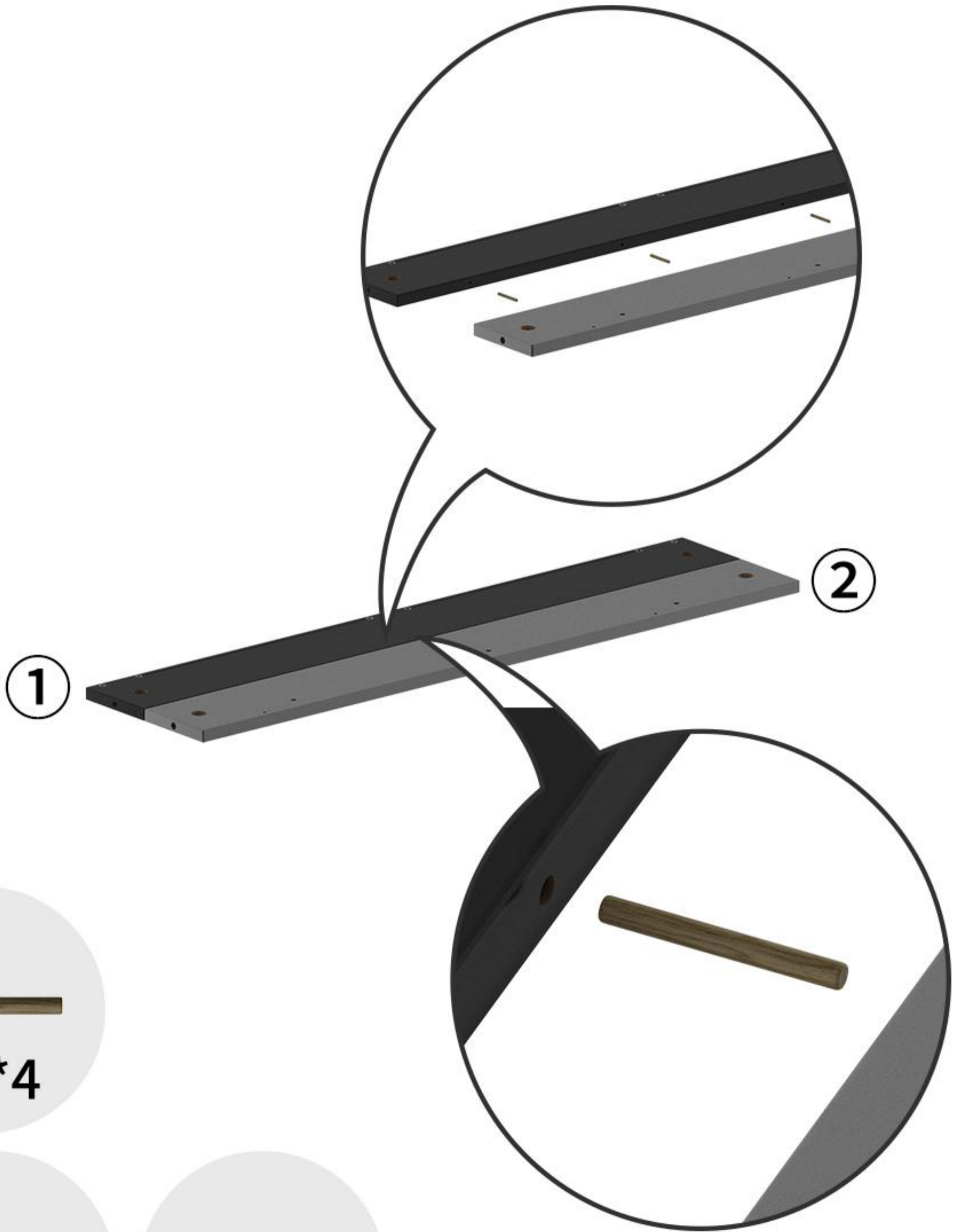
B16\*2

7



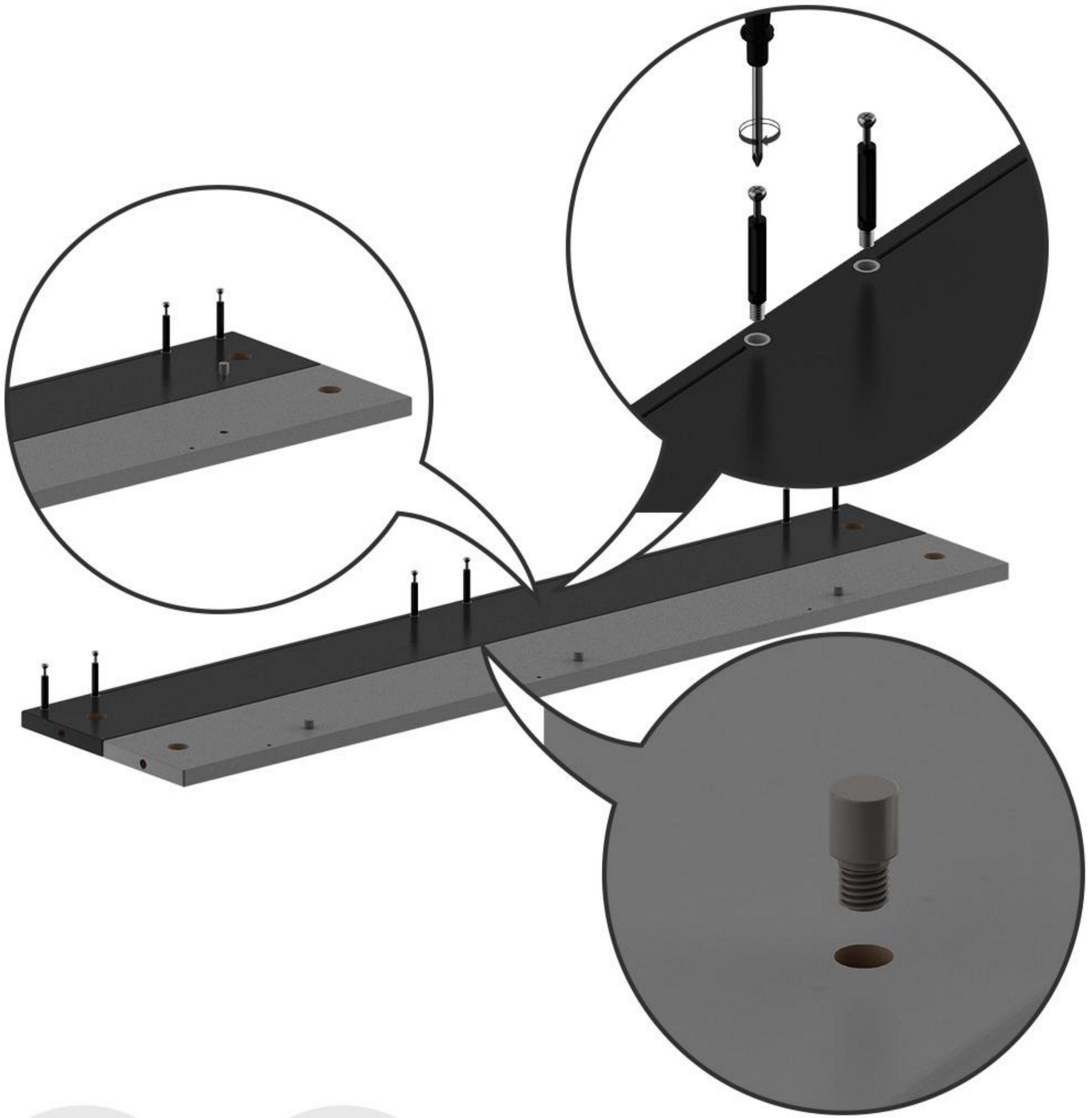
P10\*2

8



9

Repeat steps 8-9 for panels ③ and ④

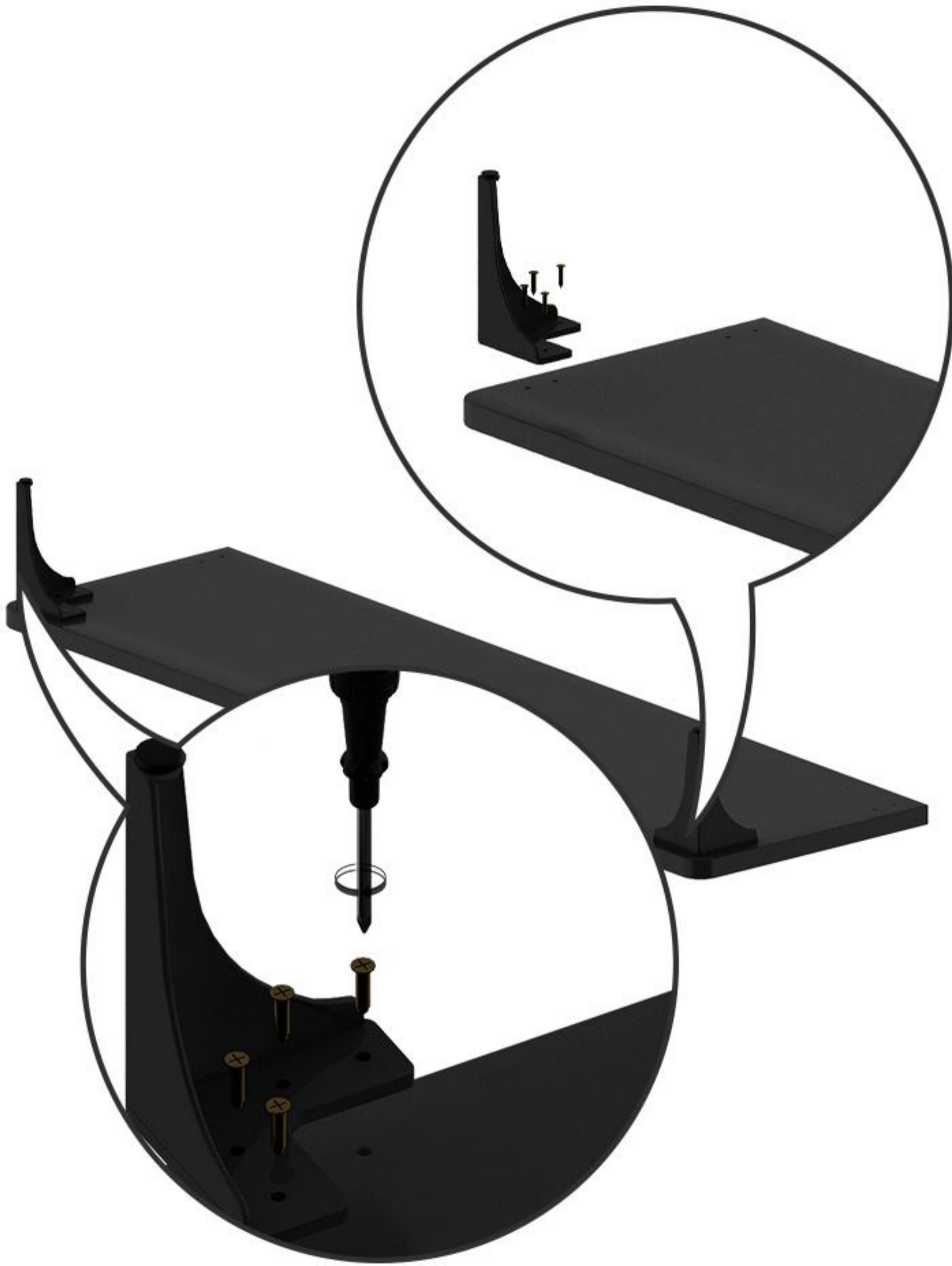


D1\*6

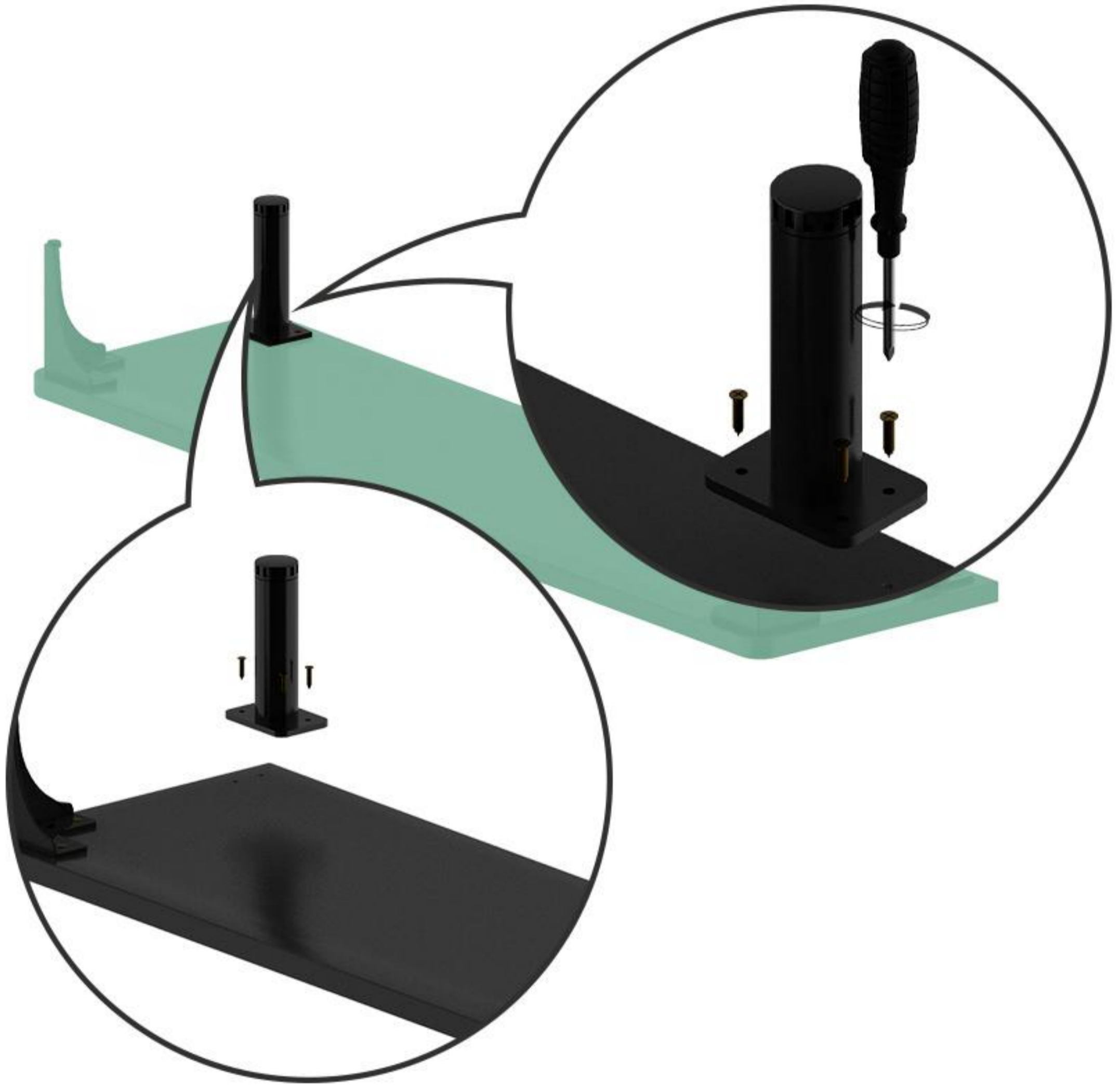


S15\*3

10



11



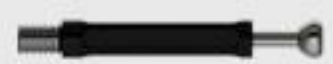
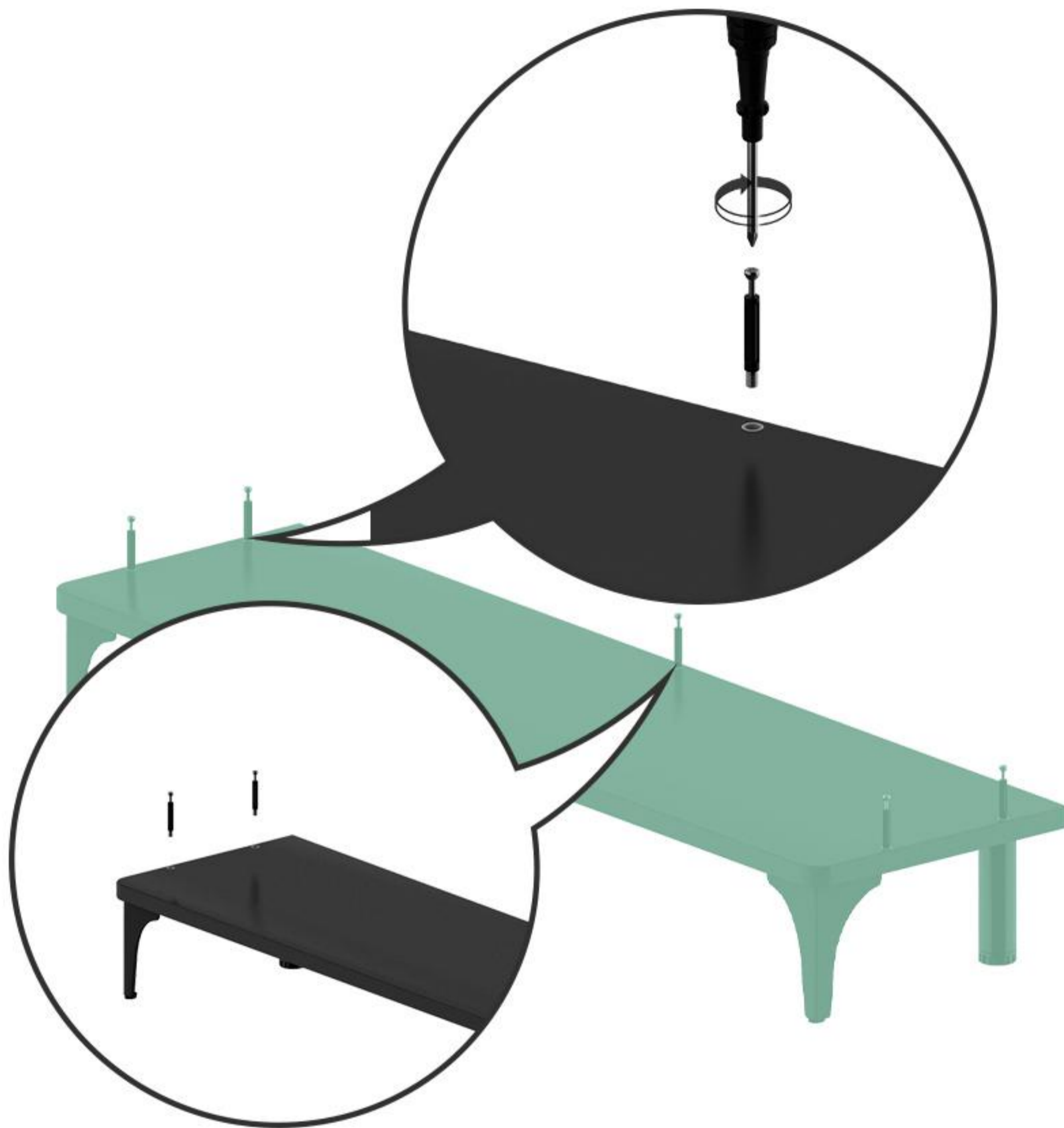
B11\*4



Cylindrical  
Legs

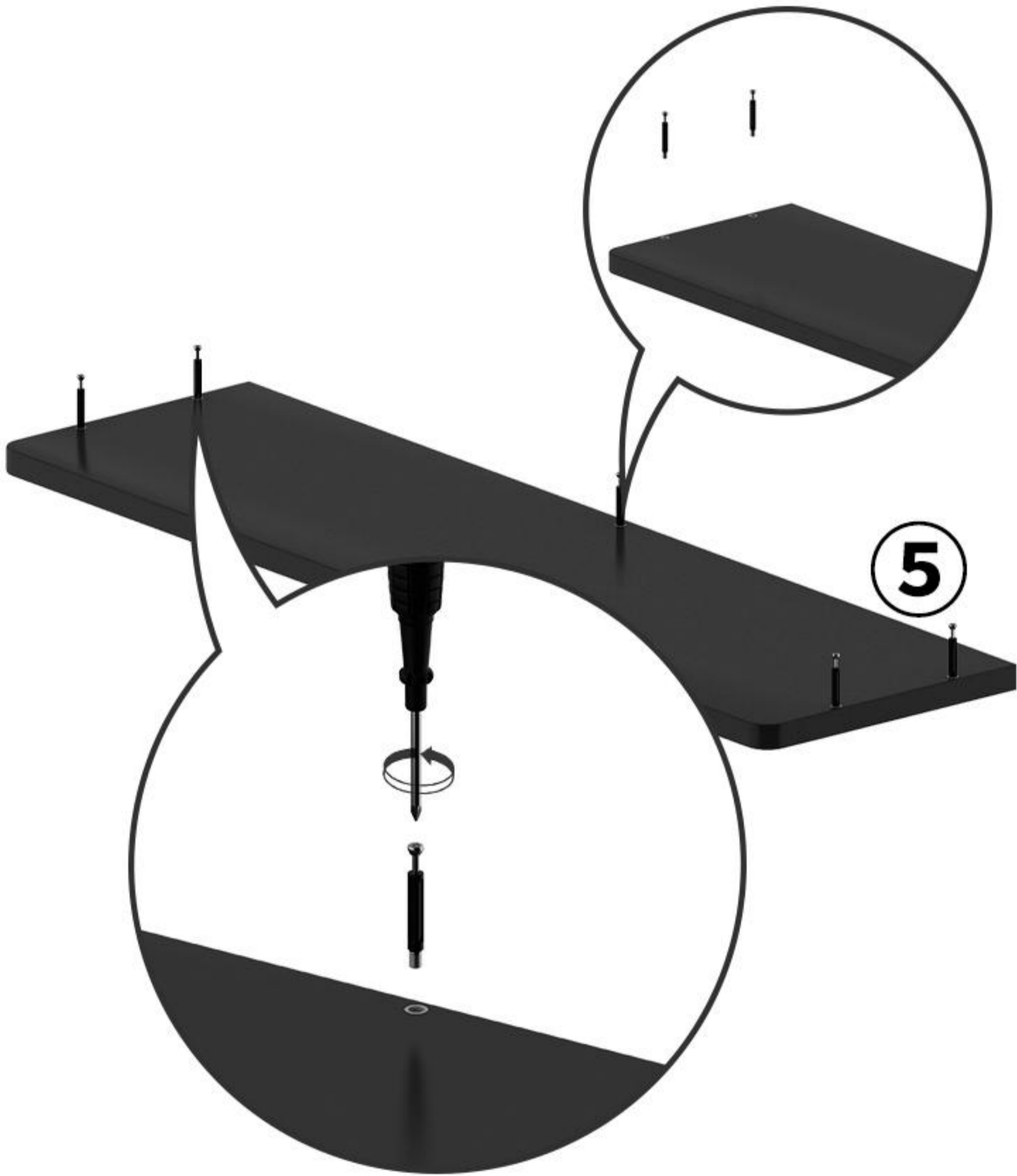


12



D1\*5

# 13

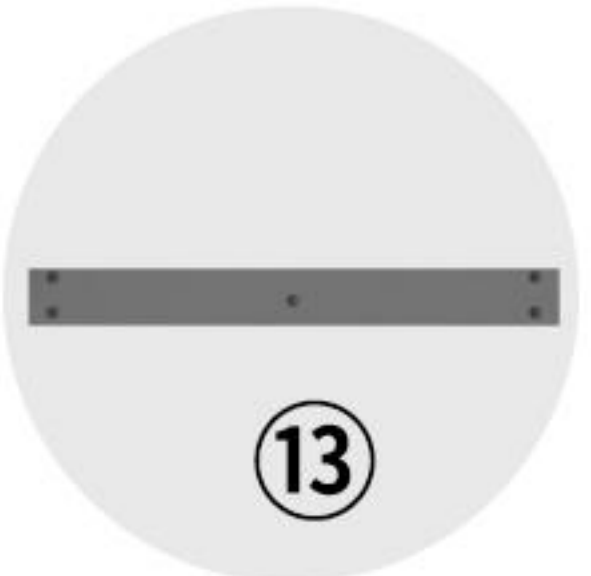
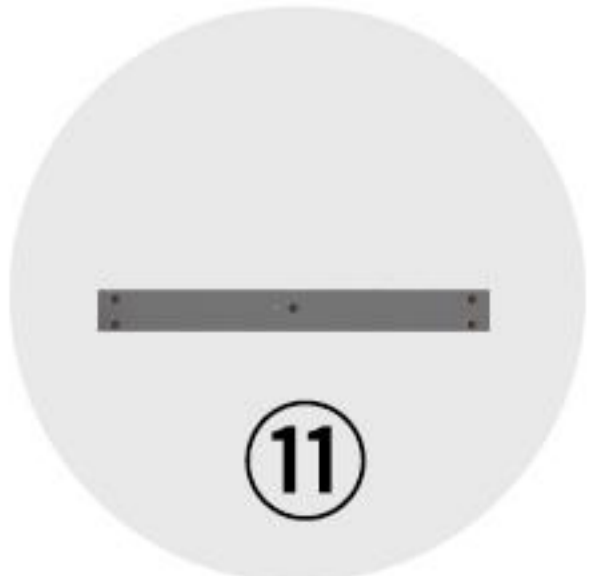
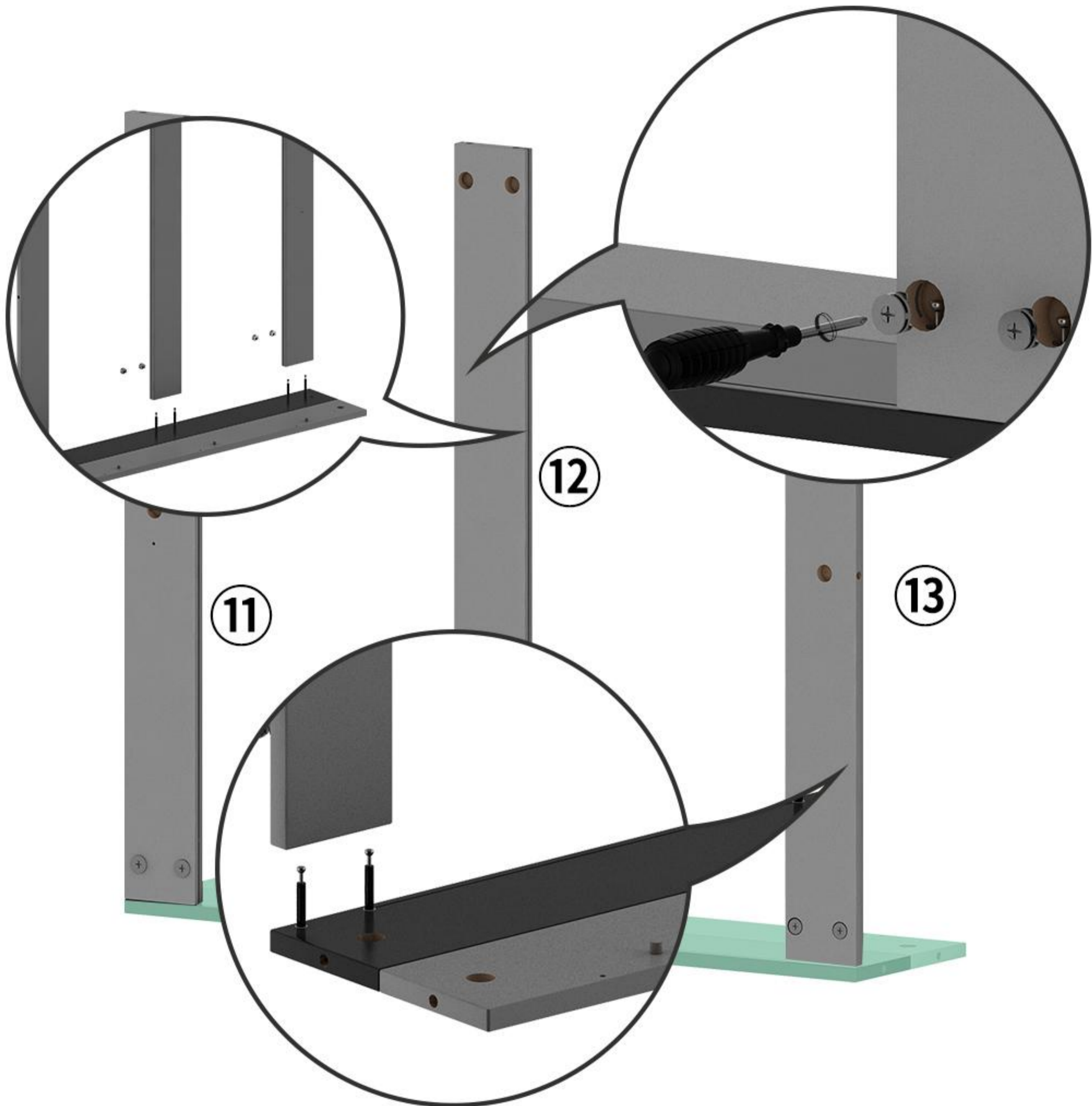


D1\*5

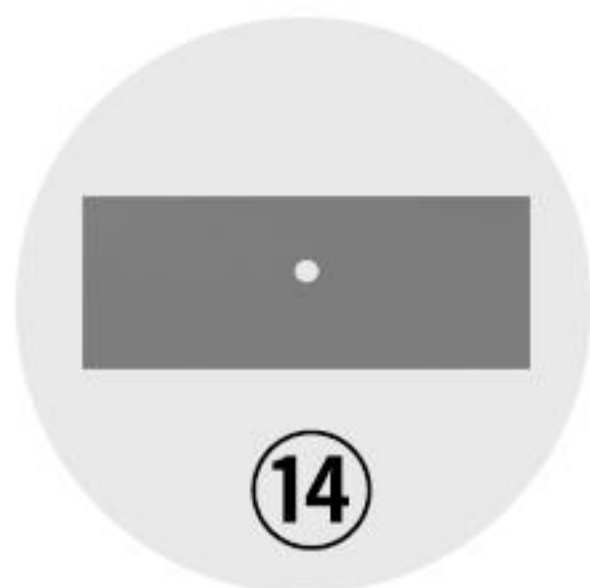
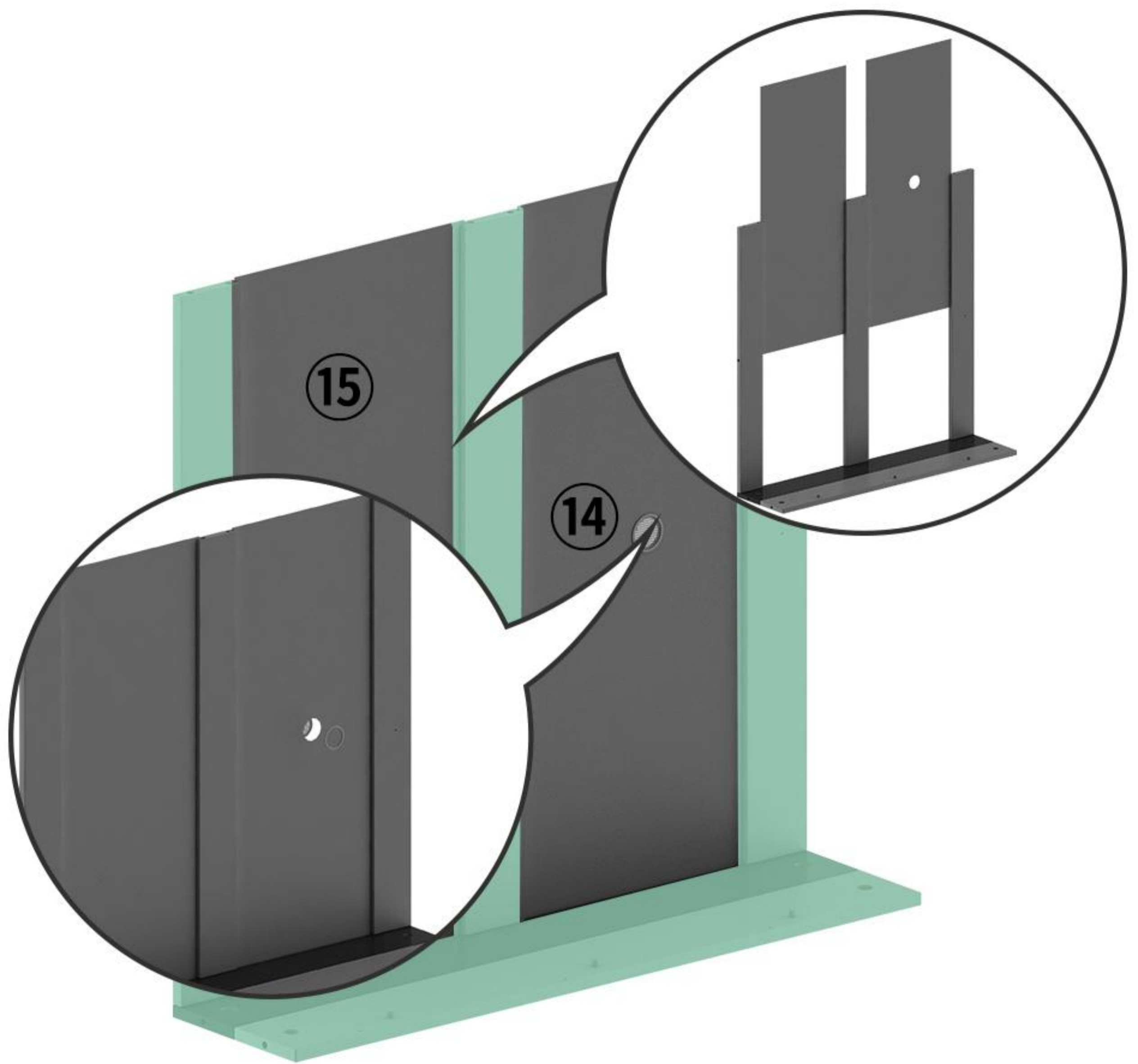


5

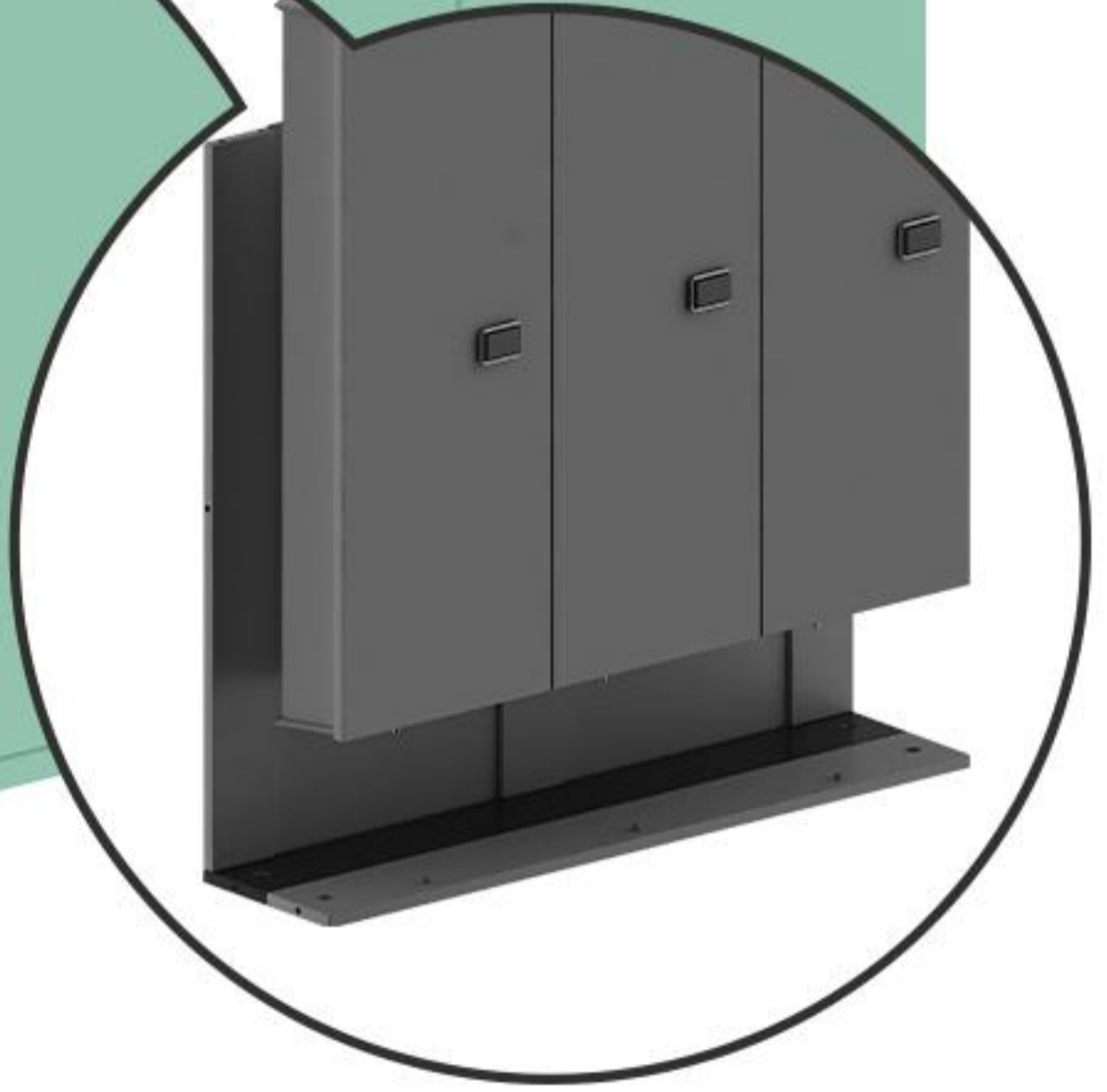
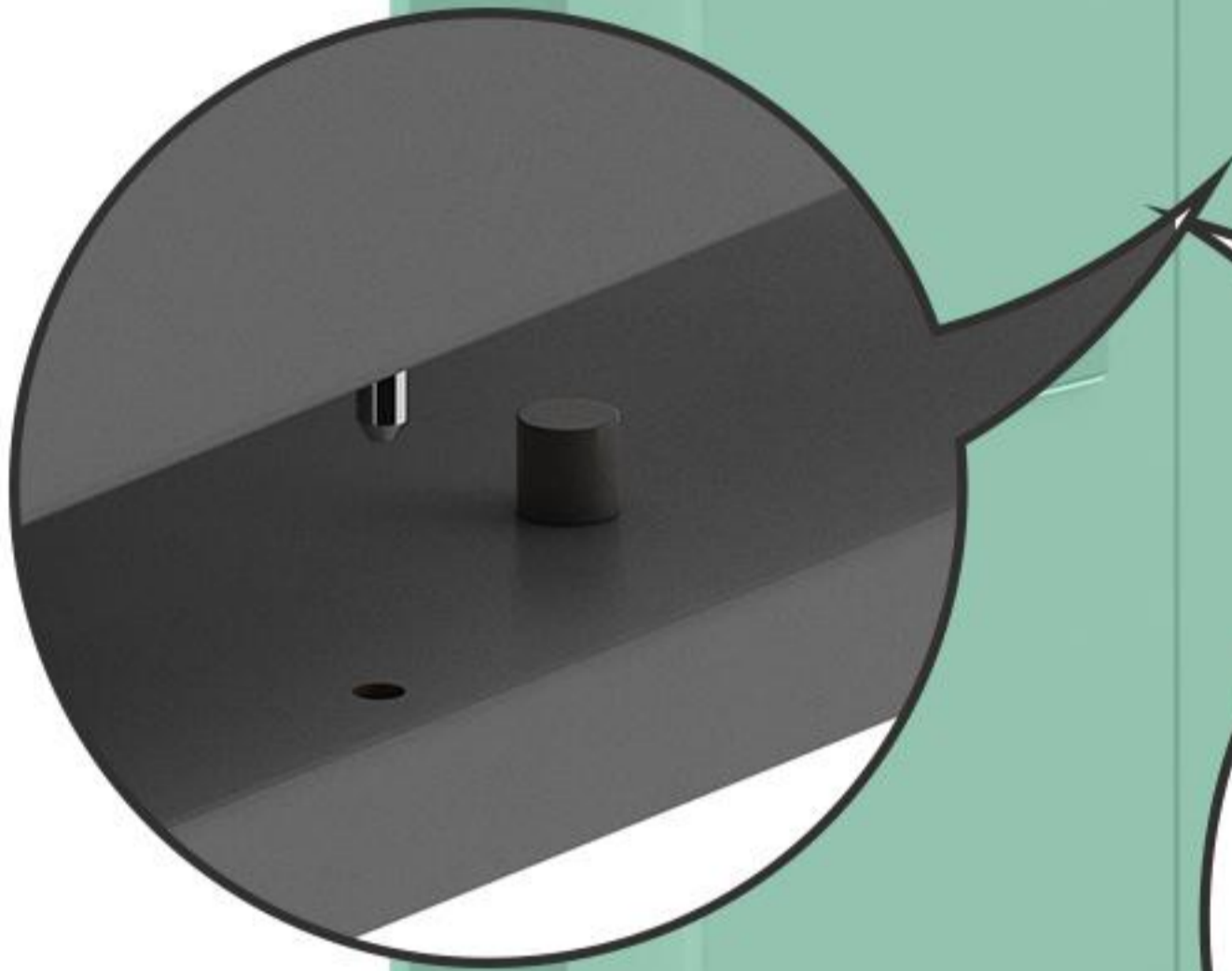
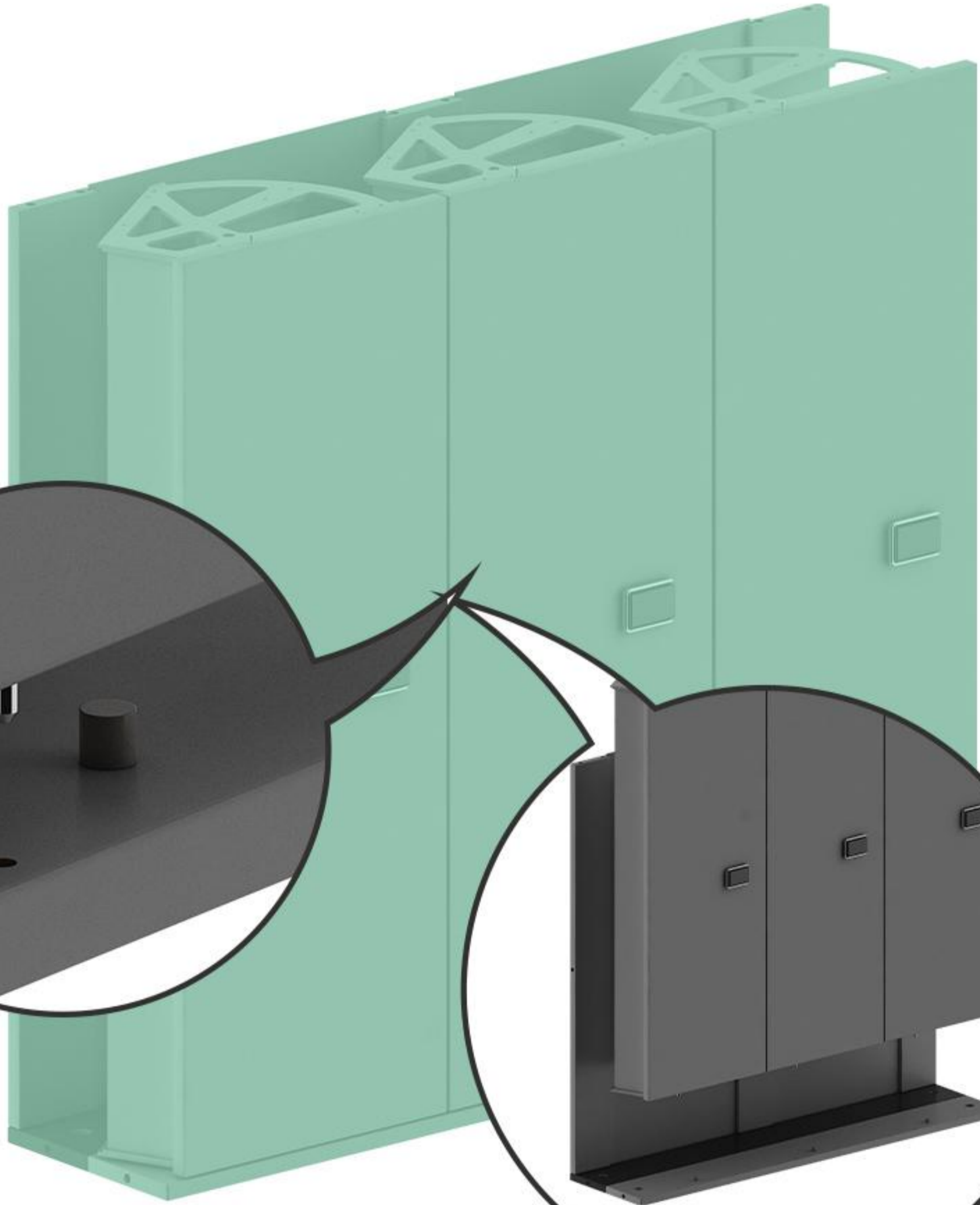
# 14



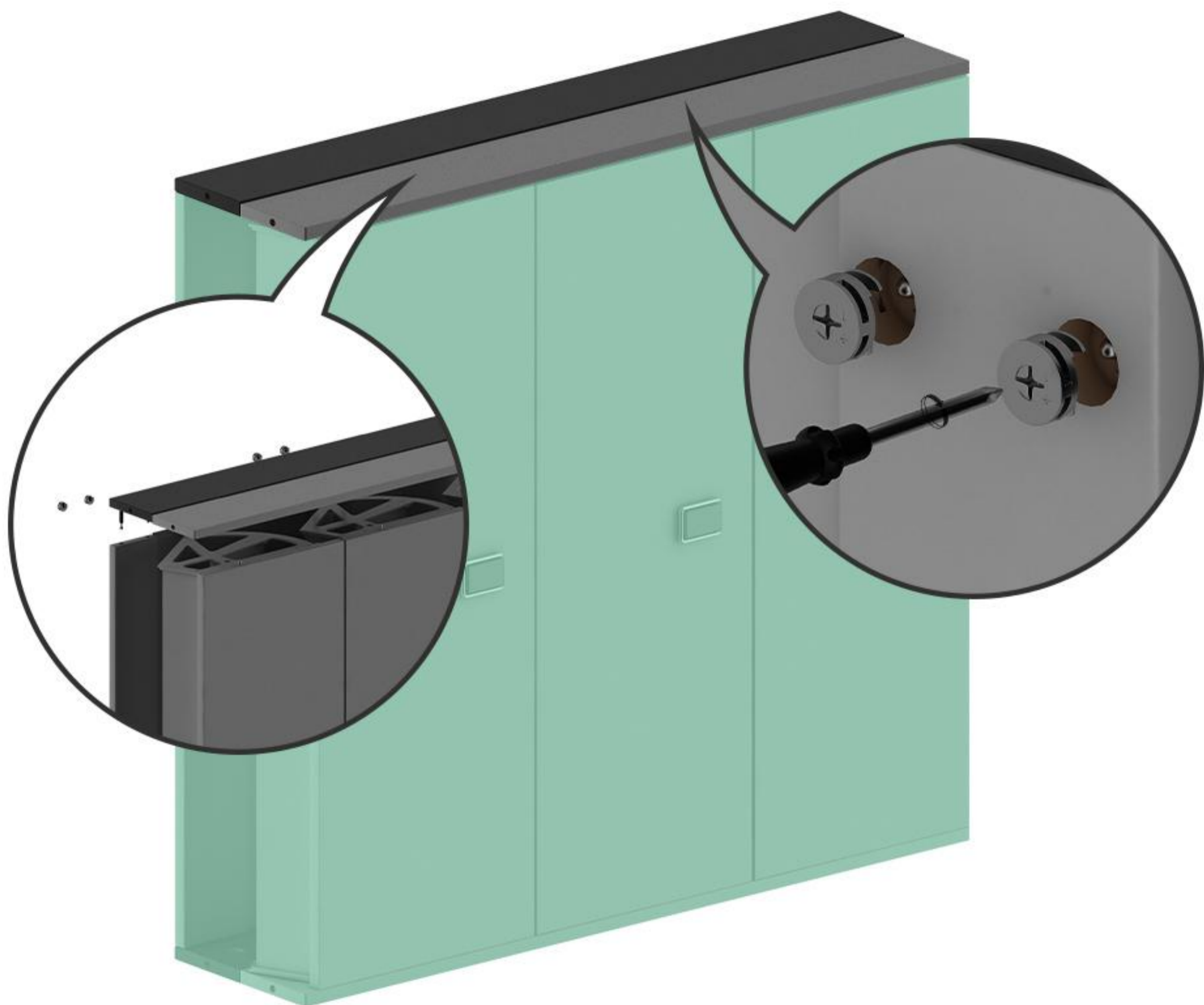
# 15



16

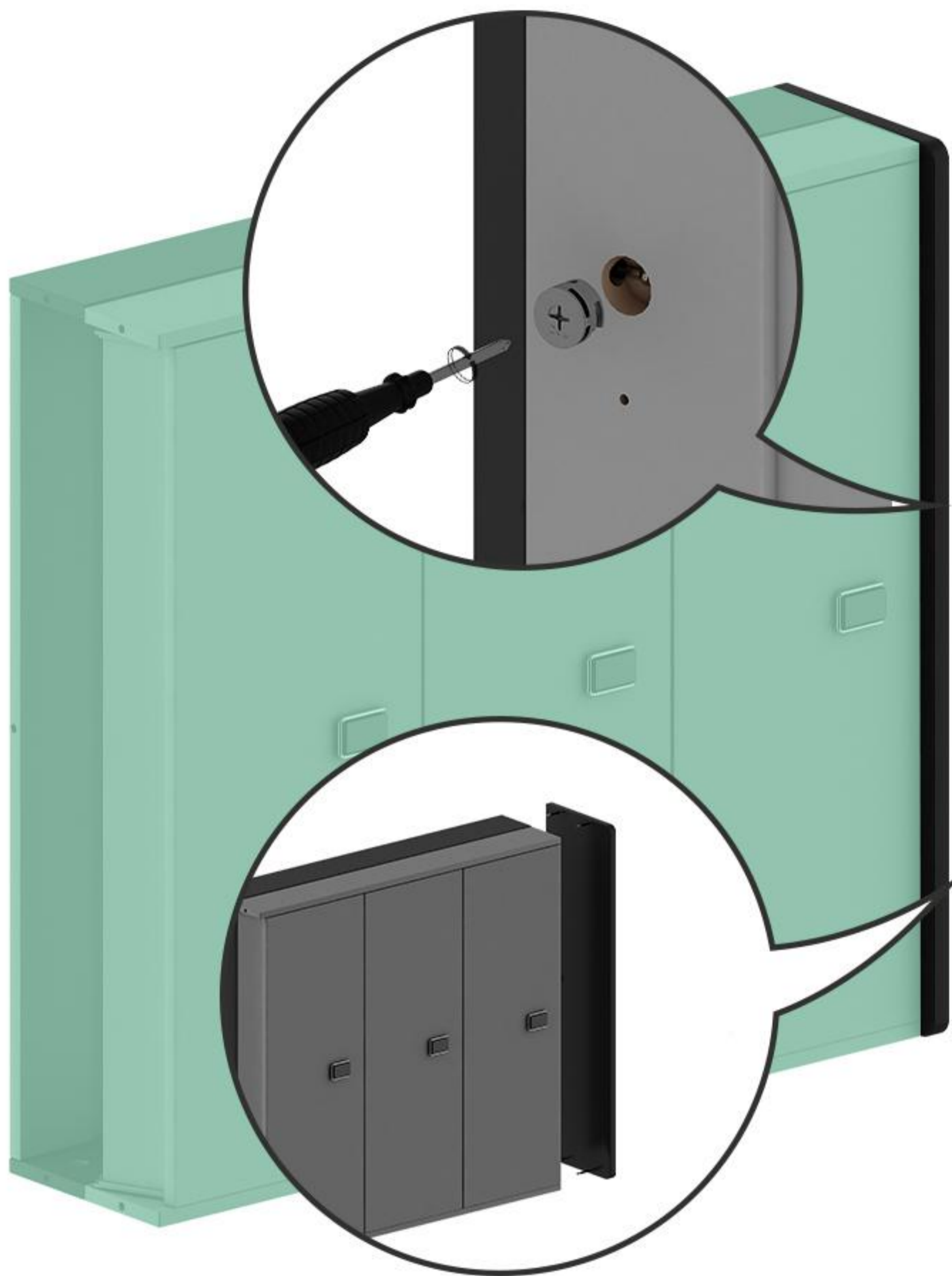


17



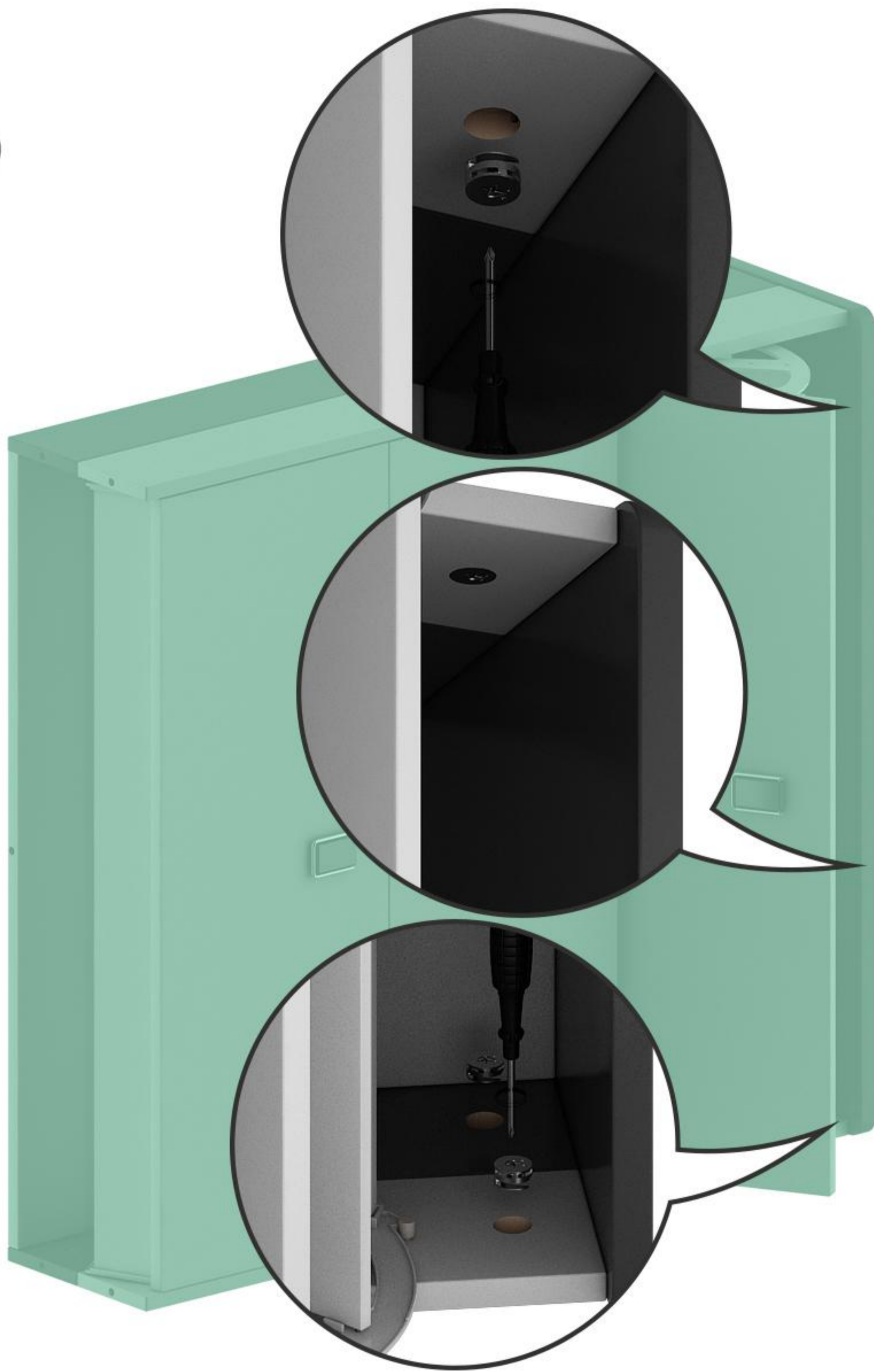
D1\*6

18



D1\*1

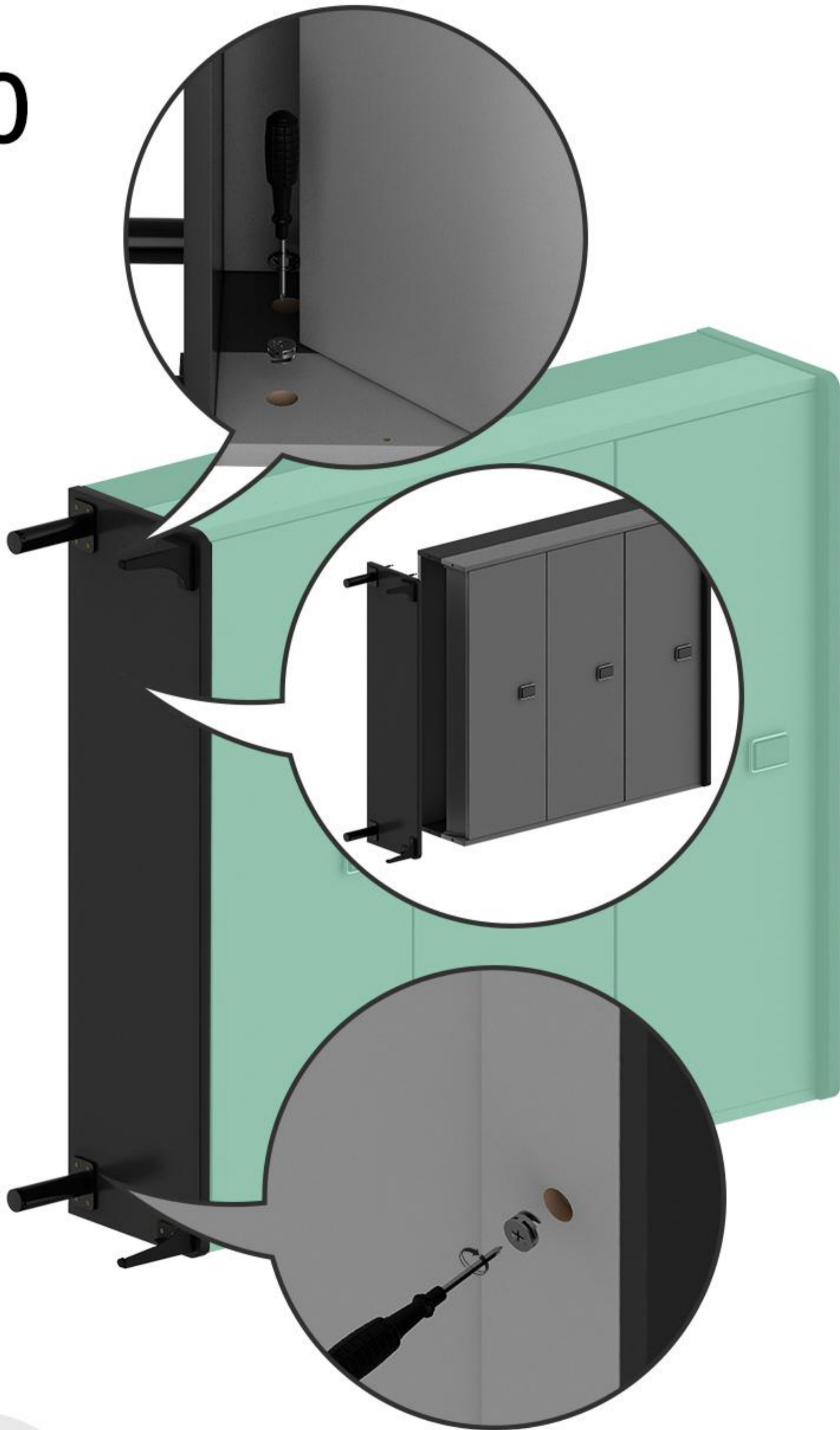
19



D1\*4

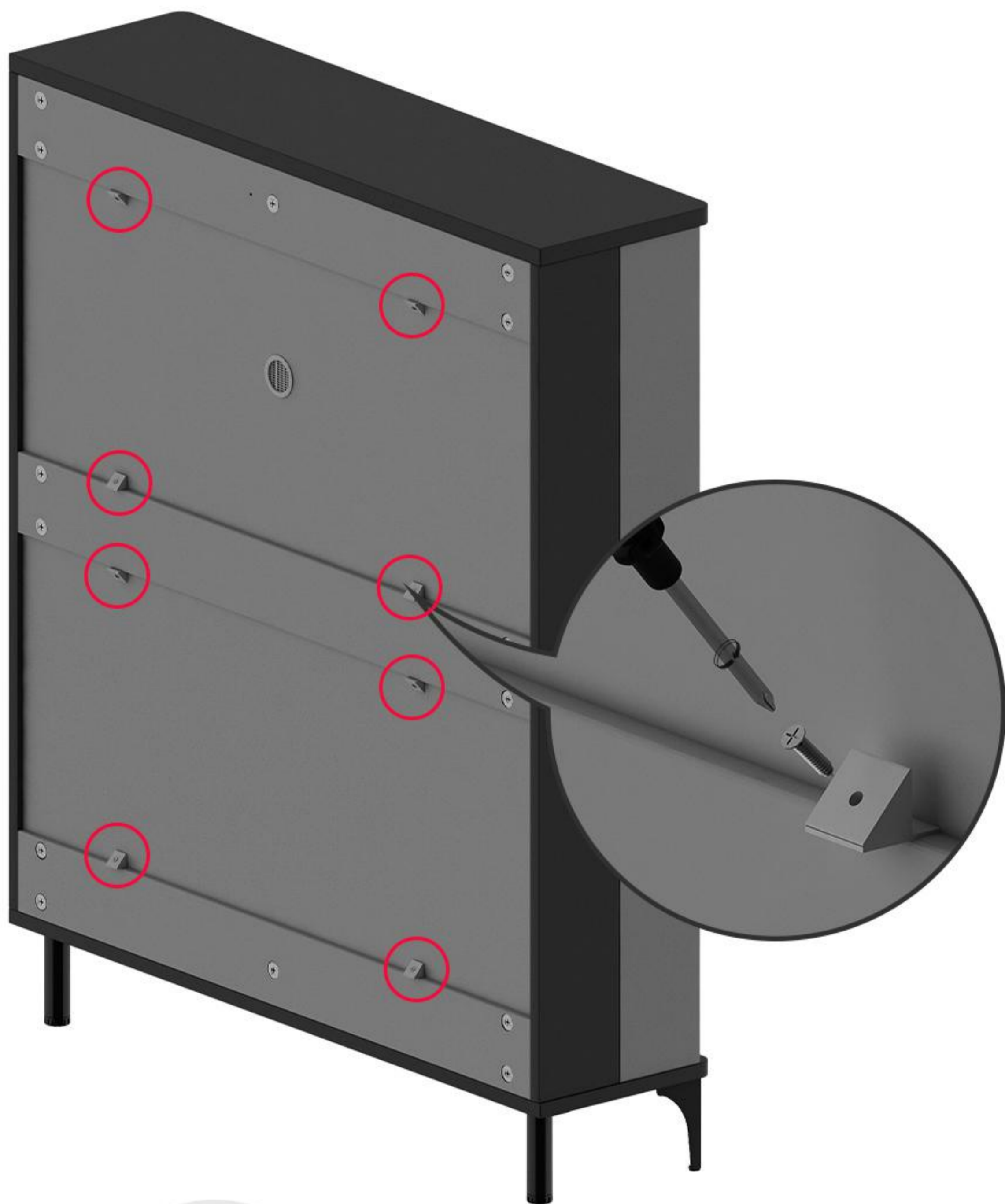


20



D1\*5

21



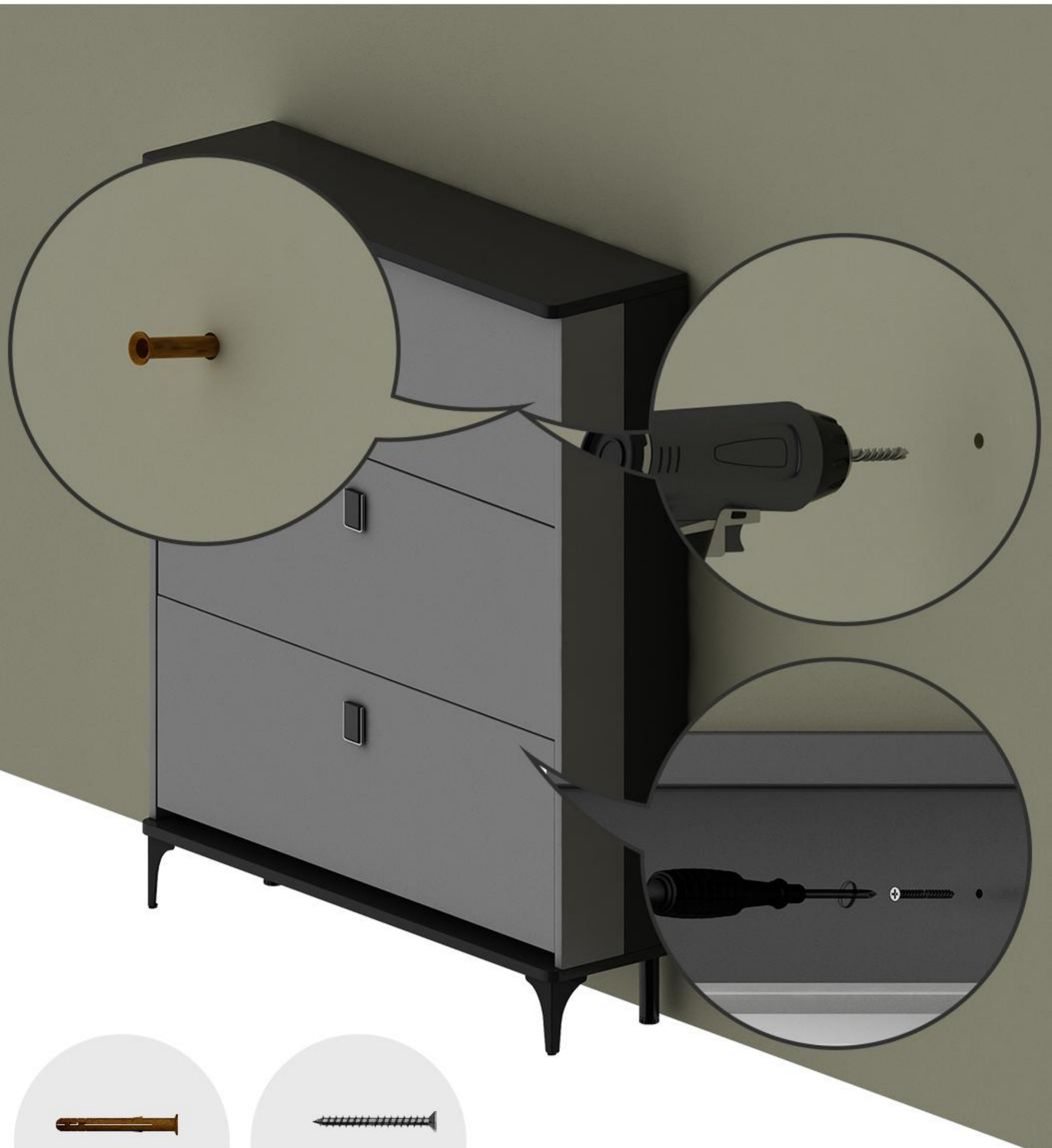
K6\*8



A1\*8

# 22

If needed, the shoe cabinet can be fixed to the wall. First, mark the positions on the wall.



**W9**



**B13**

23

