

## Furniture installation



Please be sure to use a manual screwdriver and refrain from using an electric drill.



tea table installation process

# EDB017

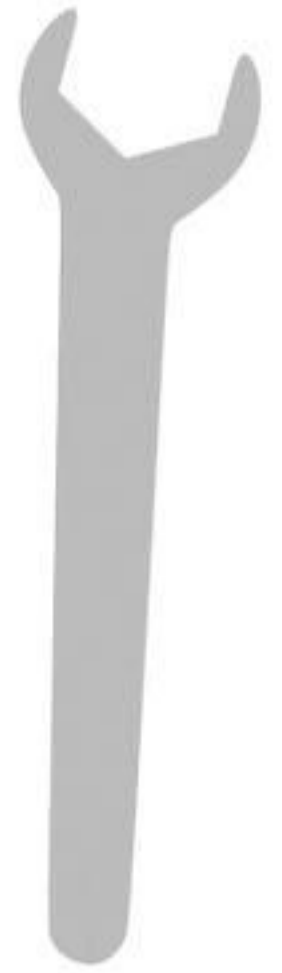




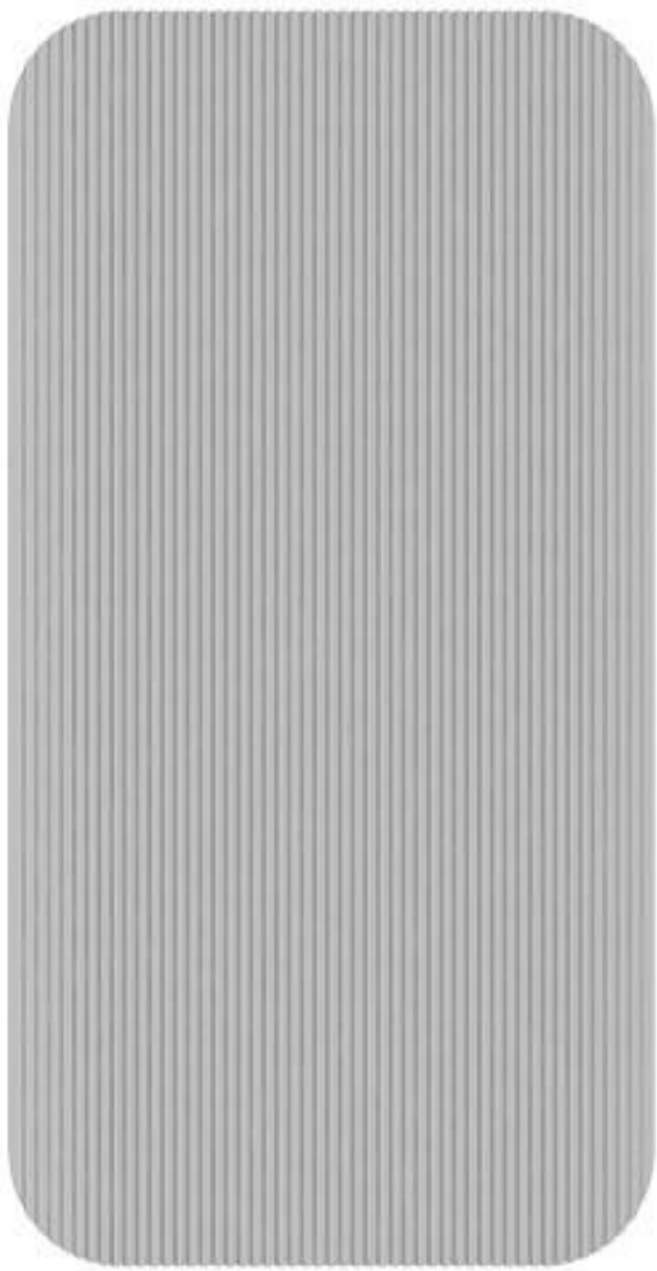
A×4



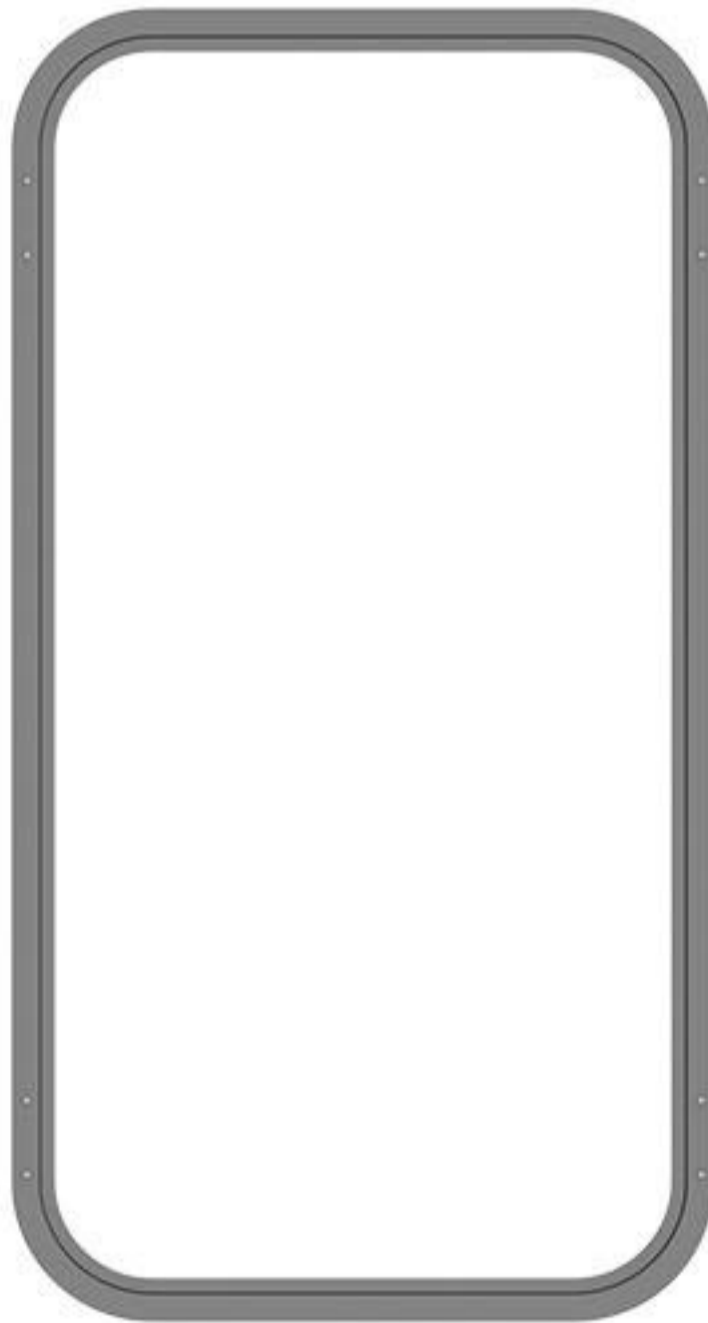
B×12



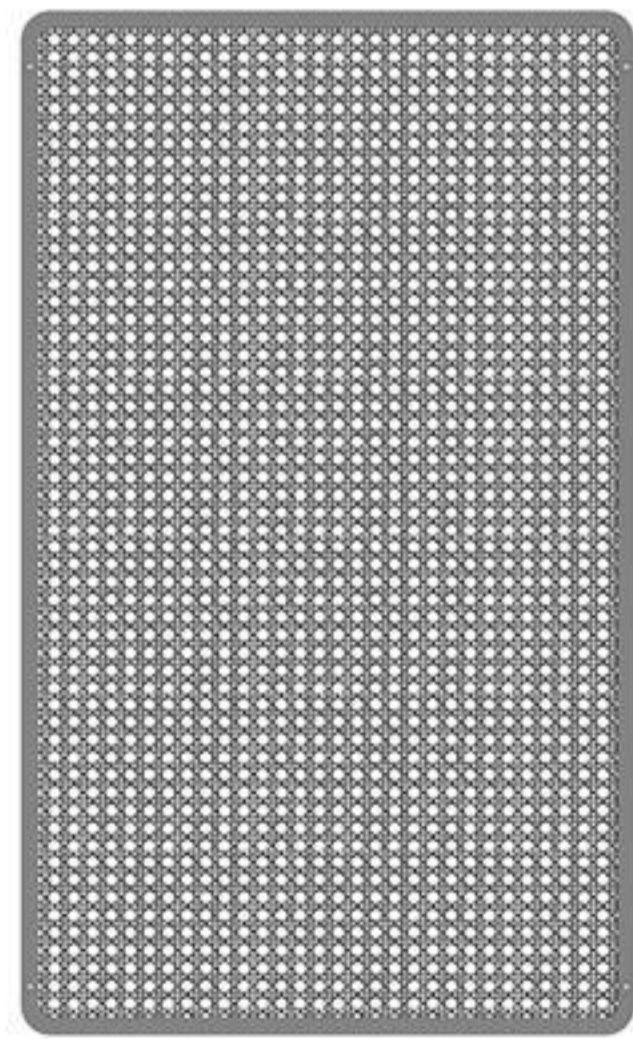
C



①



②



③

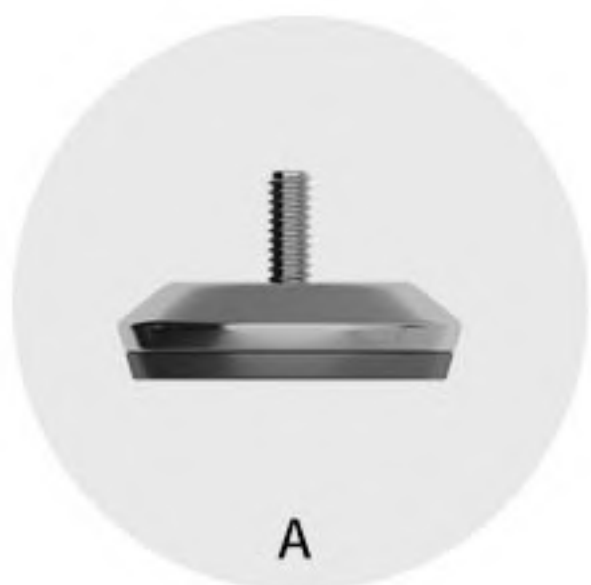


④×4

Presentation of finished  
product

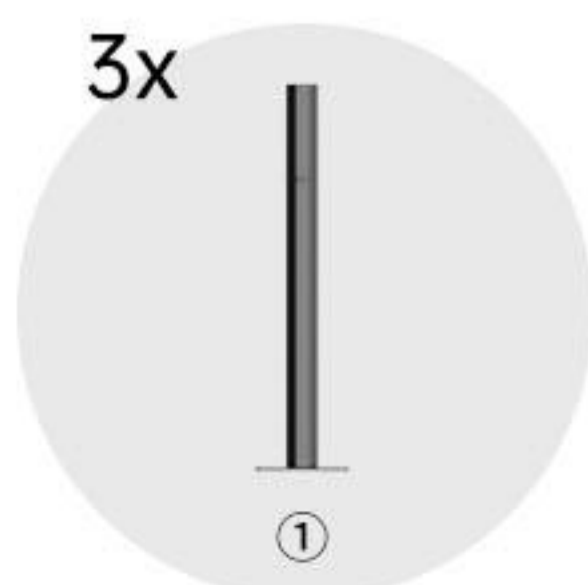
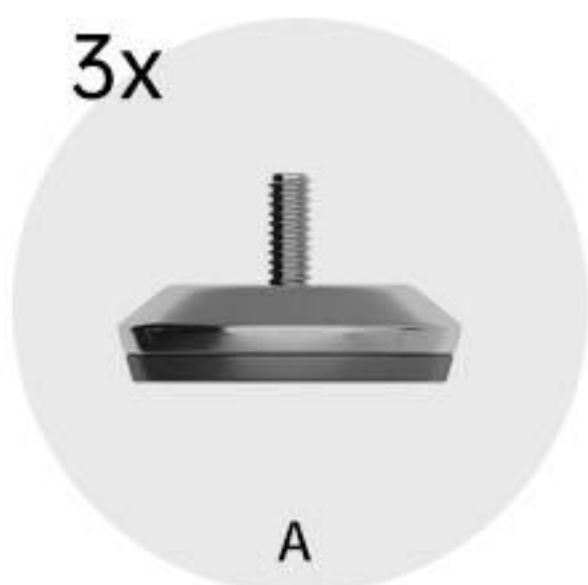


1

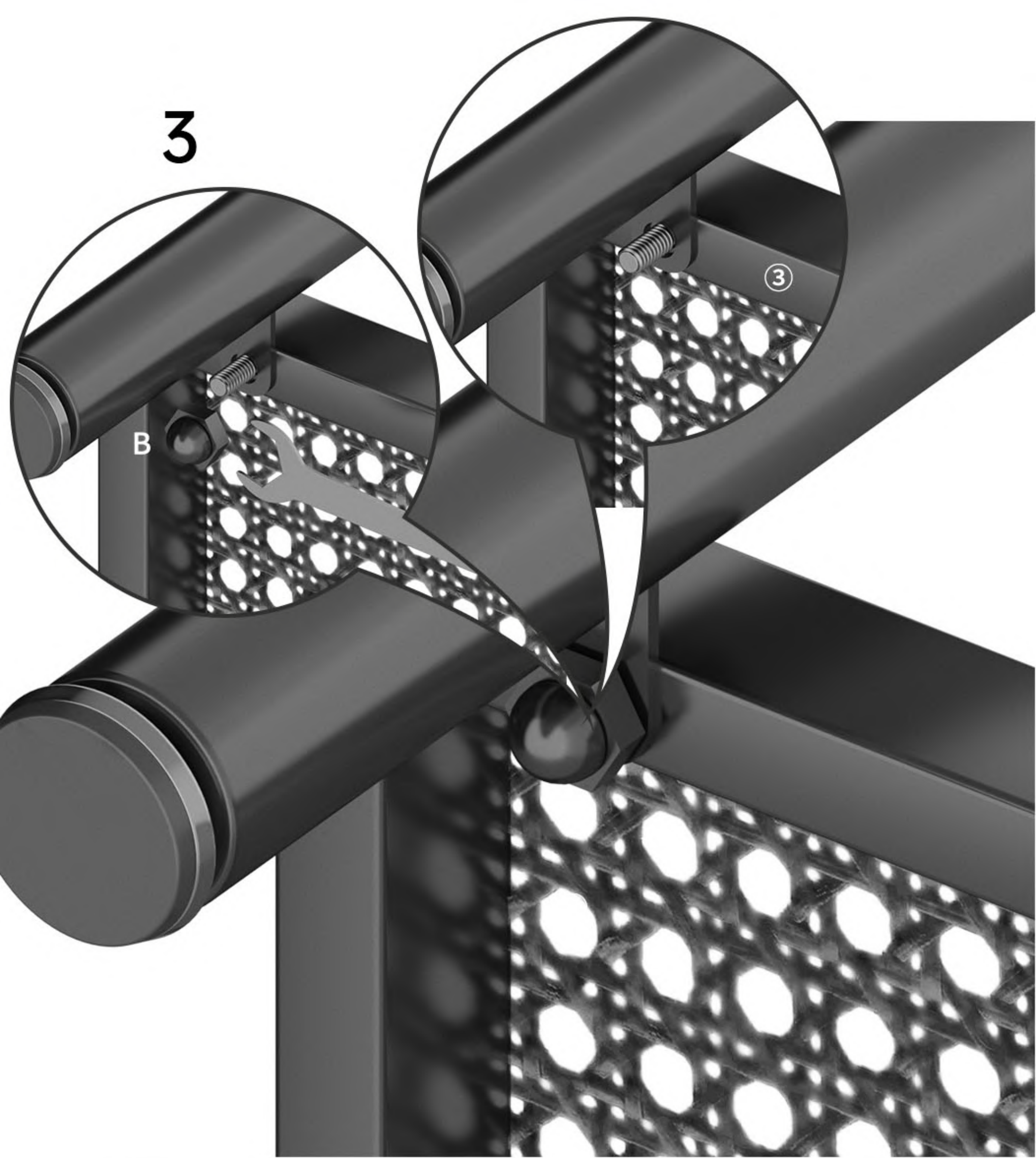


# 2

Repeat Step 1 to complete the installation of the remaining three table legs.

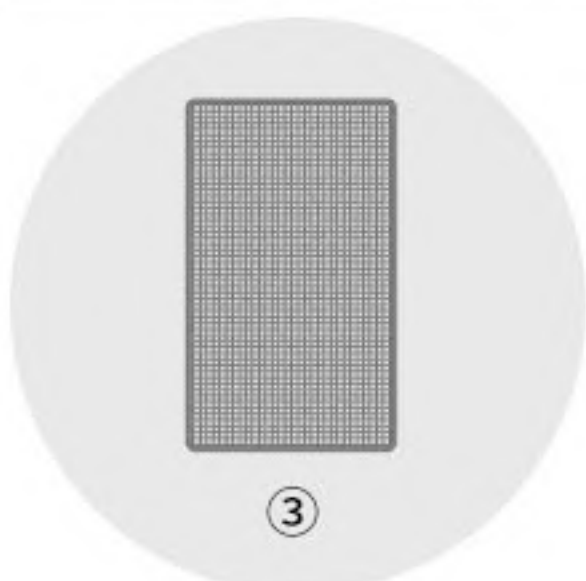
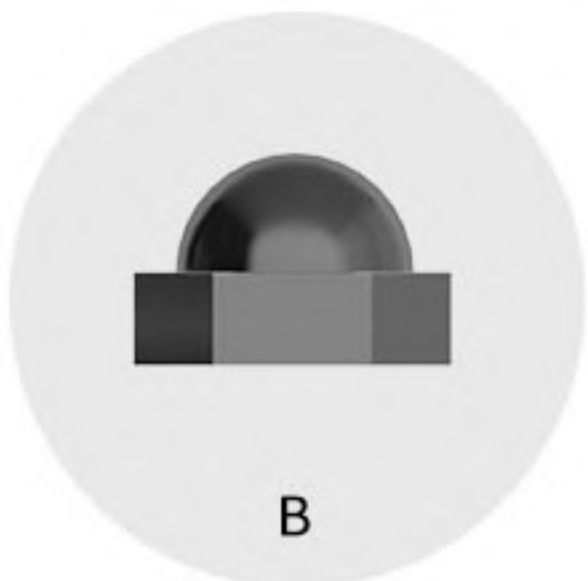


3



B

3

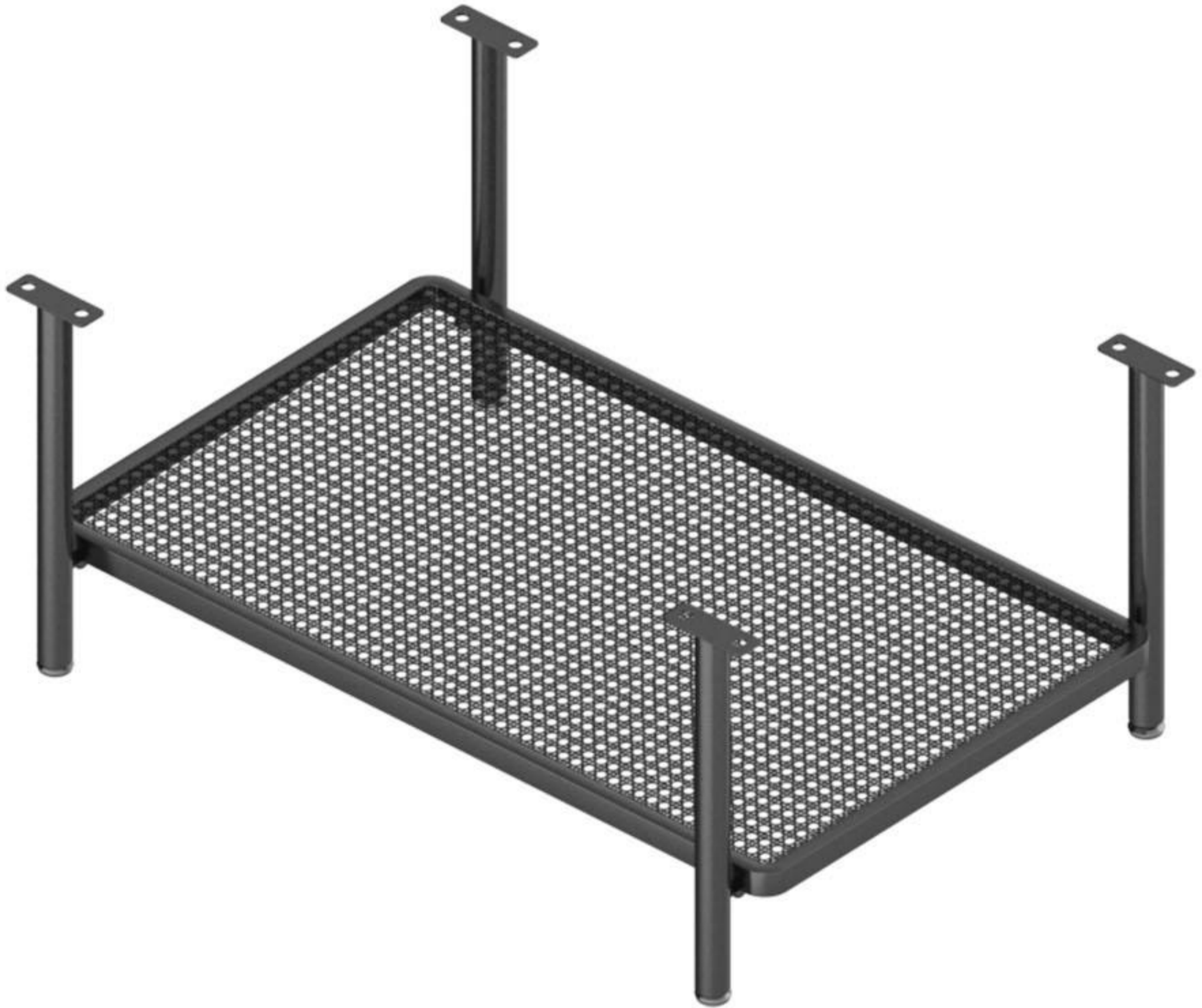


B

3

# 4

Repeat Step 2. Connect the remaining three table legs with ③

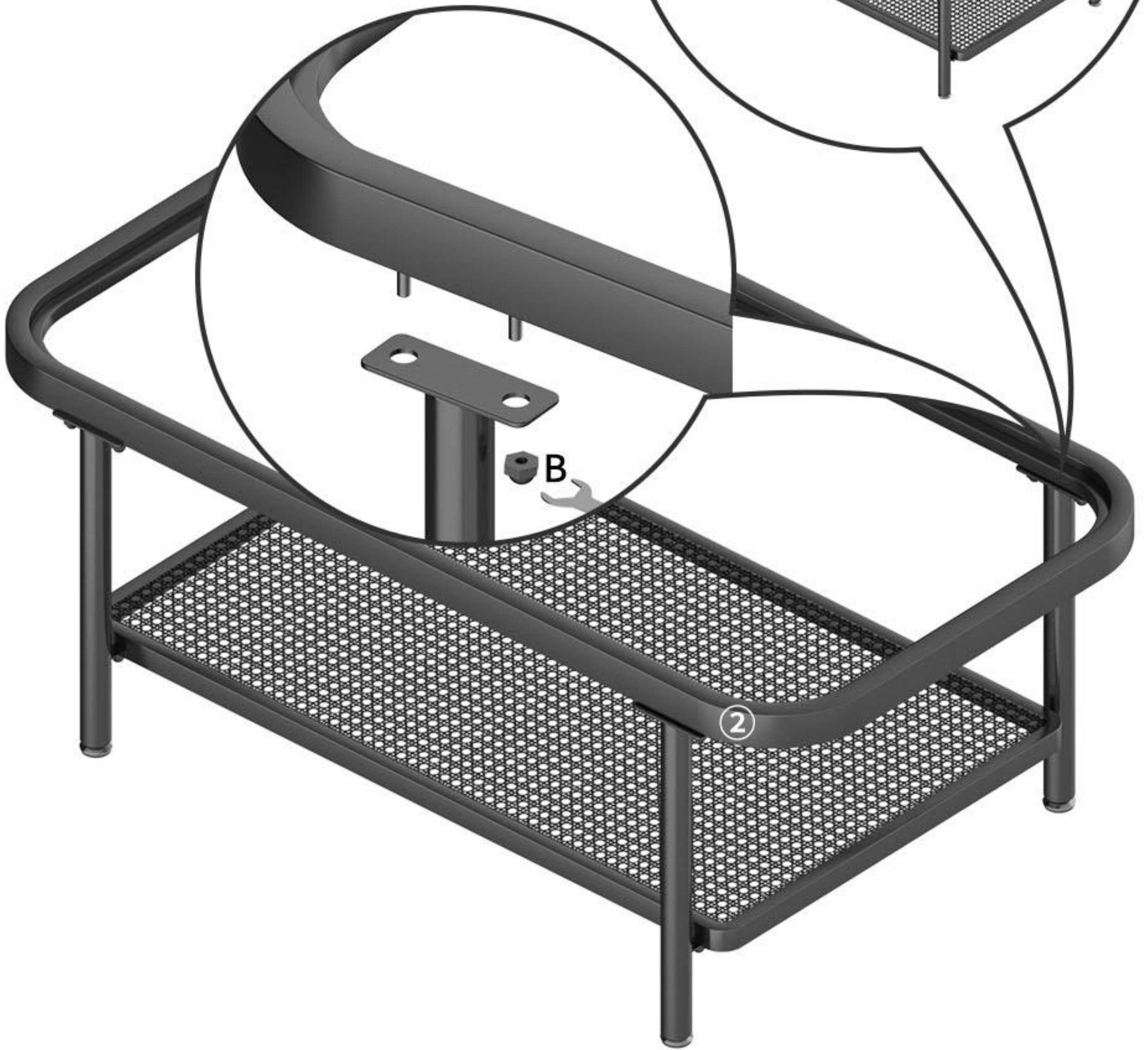
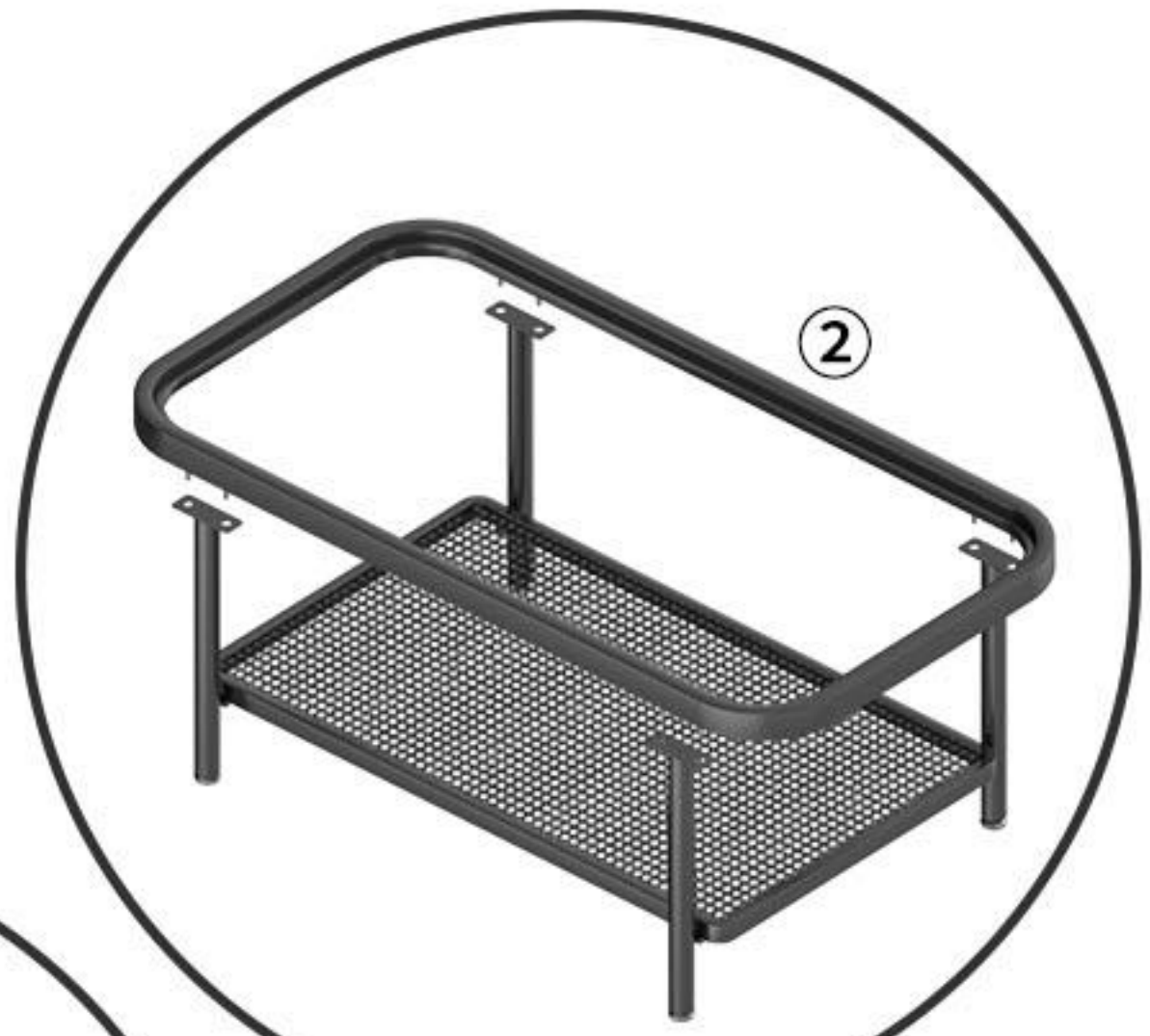


3x

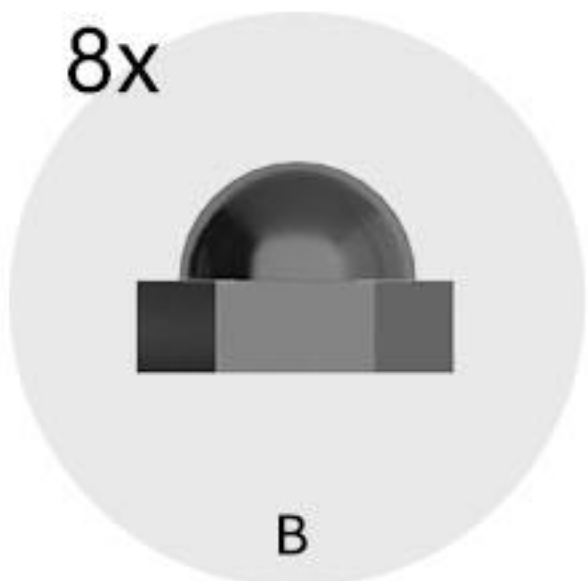


B

5



8x



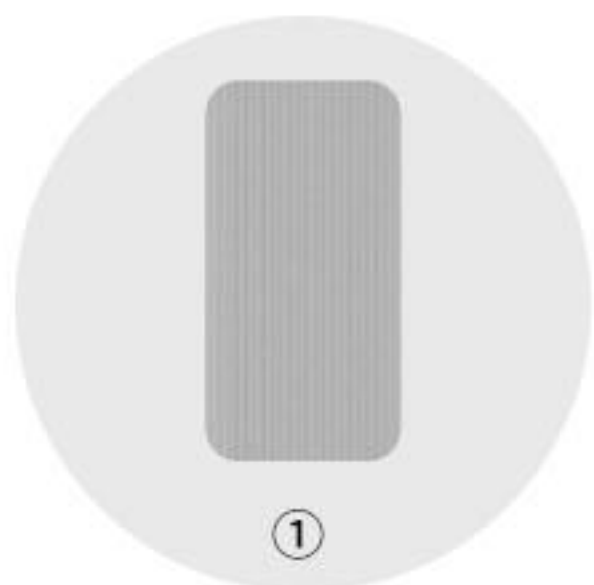
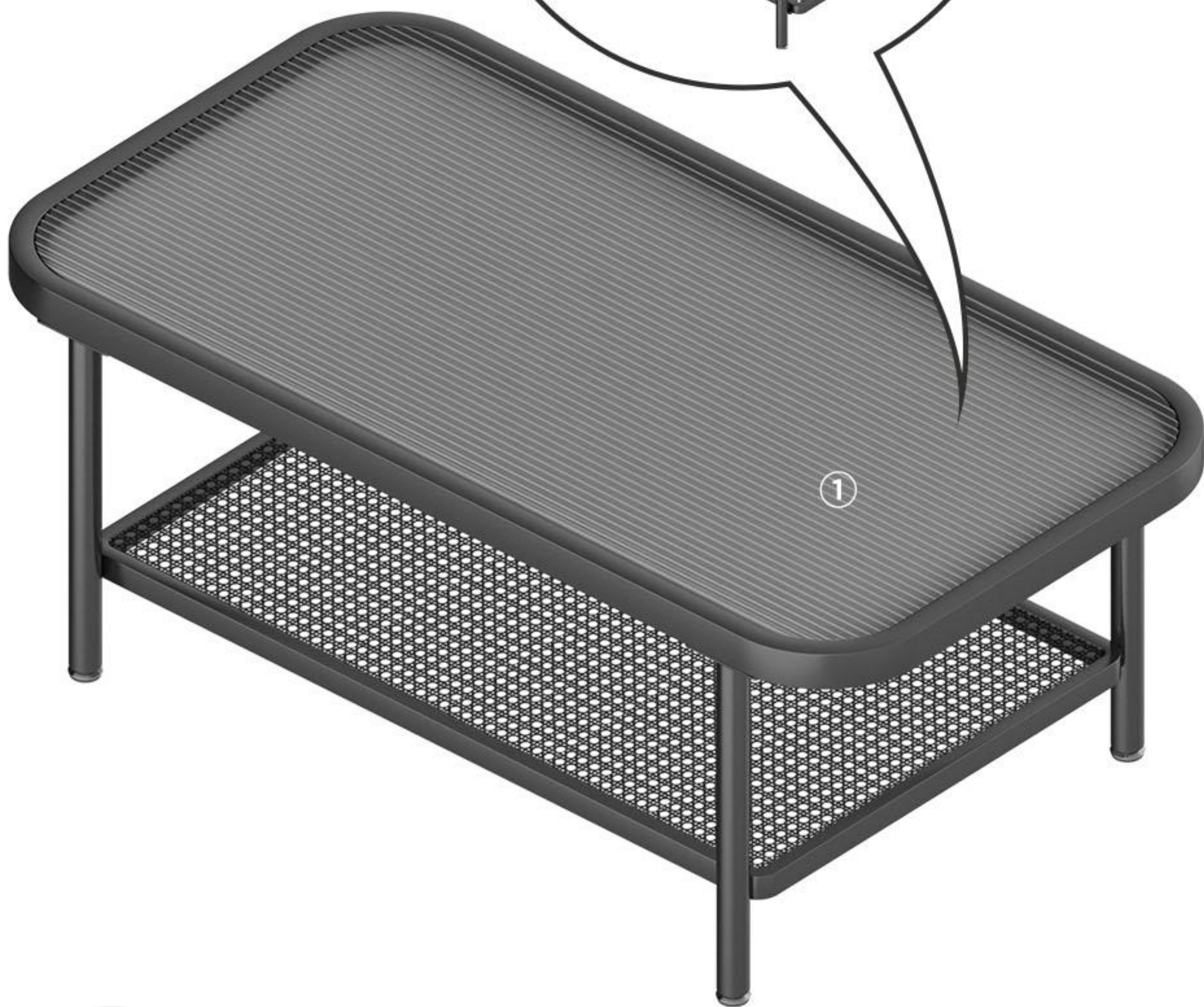
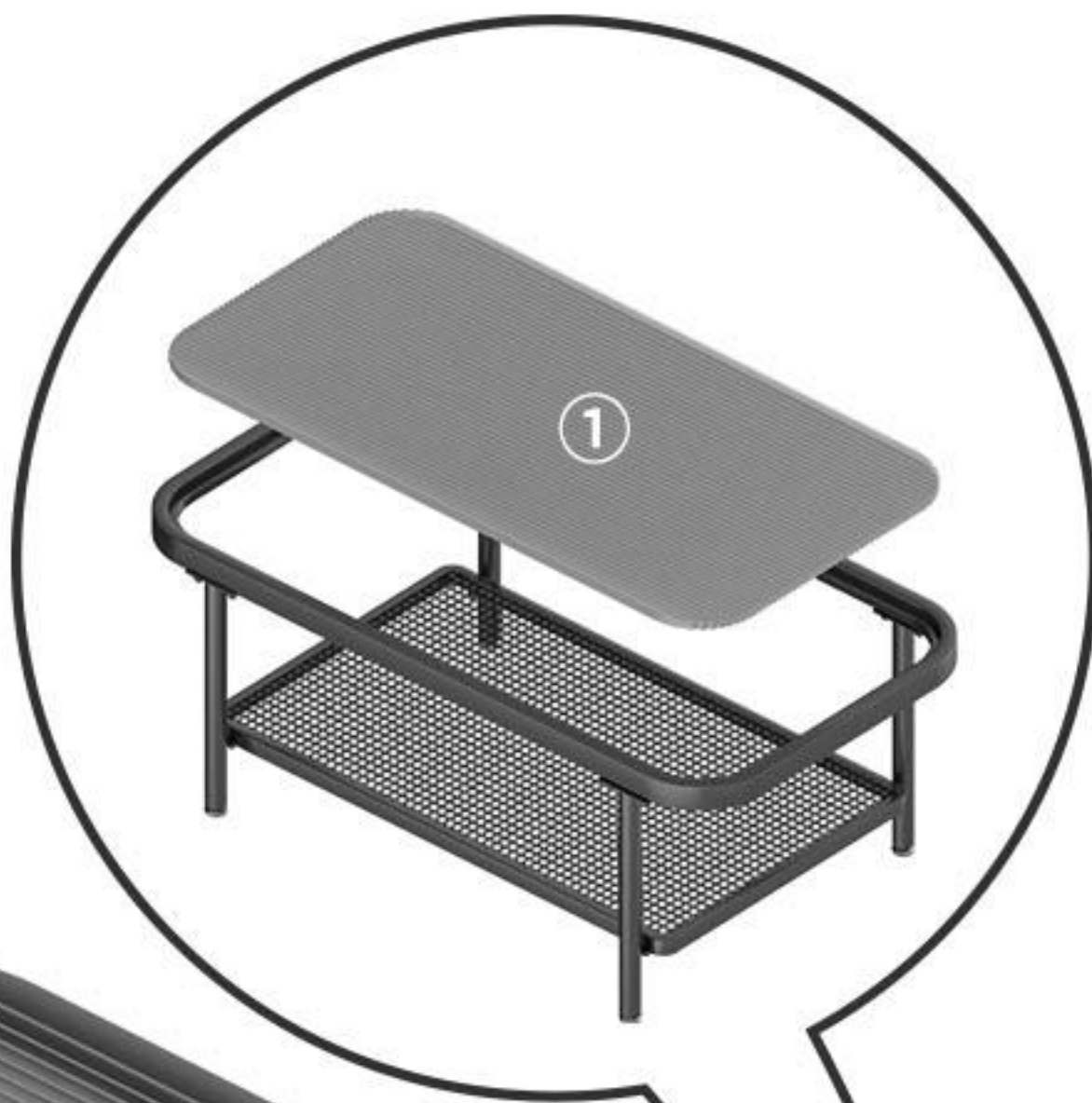
B



2



6



7

