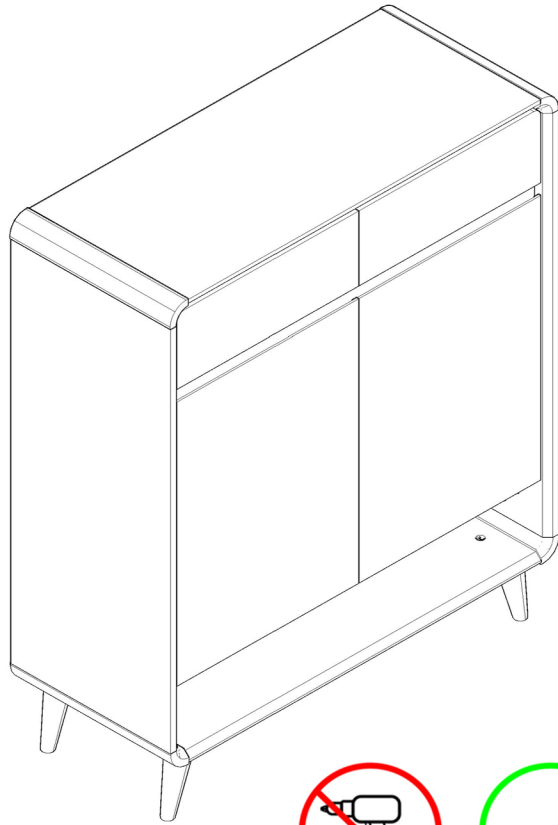


SOCE049 - 80CM

Installation Instruction



Please read this instruction manual carefully before installation and use.

Assembly notes:

1. Ensure all panels and parts are not damaged or missing.
2. Be careful not to bump or scratch the panels during installation.
3. Please read this instruction carefully before installation and install in order.
4. Please use each screw strictly according to the instructions.
5. The slide must be split into two parts when used. For the splitting method, see the slide instructions.
6. Please keep the packaging box well so that if any problems occur, you can check the product model and production batch number printed on the outside of the packaging box.

Precautions after assembly:

1. After installation, check whether all parts are installed and the locks are locked.
2. Check the overall stability of the cabinet to see if there is any severe shaking.
3. When using the lock, do not use excessive force to avoid damage to the lock. Just turn it clockwise until it cannot turn anymore.

Please be sure to use a manual screwdriver and refrain from using an electric drill.

Hardware list

Accessories Appearance	Code	Dimension	Quantity	Unit	Accessories Appearance	Code	Dimension	Quantity	Unit
	A	ø15*12mm	34	Piece		I	ø6*40mm	8	Piece
	B	ø7*40mm	34	Piece		Q	ø6*30mm	16	Piece
	C	12mm thick	1	Piece		J	ø8*40mm	17	Piece
	D	ø12*10mm	16	Piece		K	ø6*40mm	4	Piece
	E	ø5*15mm	16	Piece		L	ø5*20mm	12	Piece
	F	ø3.5*12mm	16	Piece		M	120mm height	4	Piece
	G	ø3.5*40mm	8	Piece		N		2	Pair
	H	ø3.5*14mm	24	Piece		O	240mm length	2	Pair
						P	ø7*38mm	2	Piece

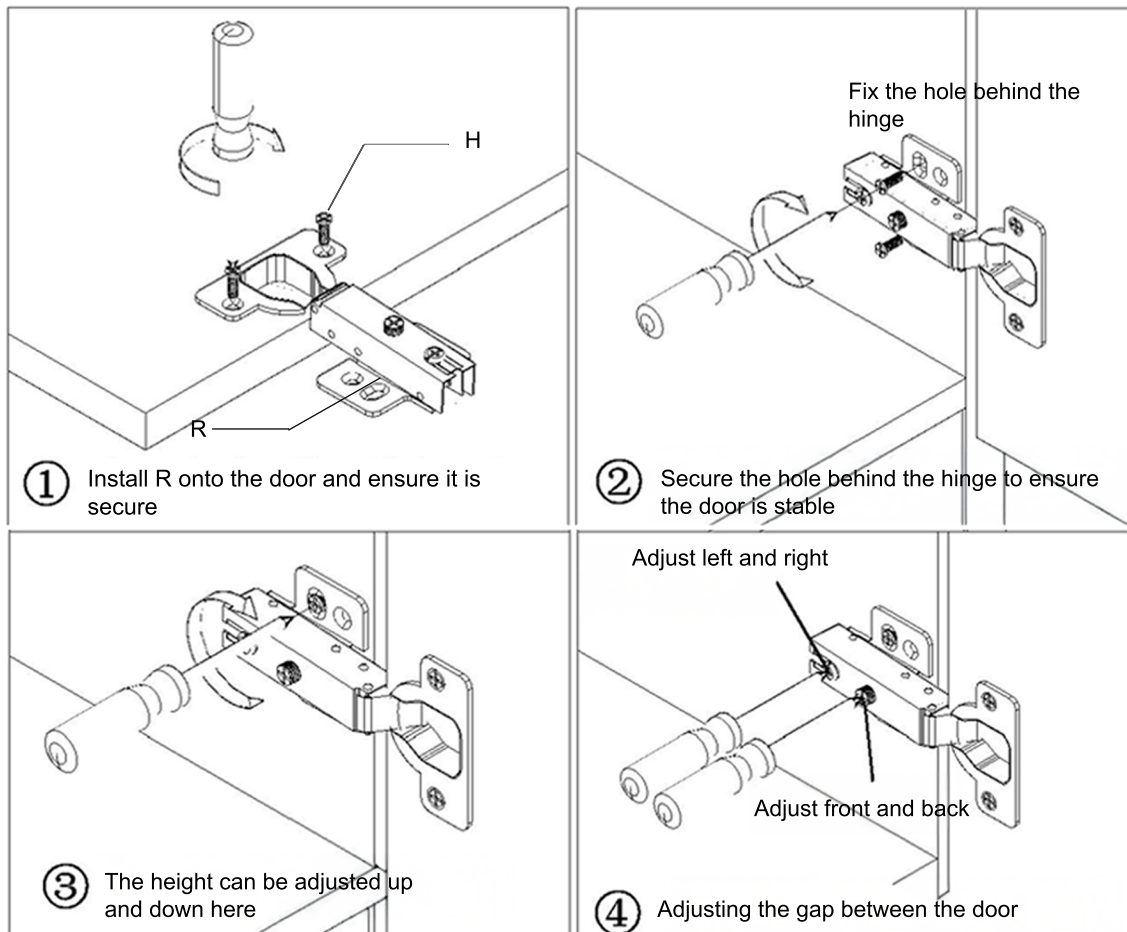
BoardMaterial List

Code	Dimension	Quantity	Code	Dimension	Quantity
1	351*38*38	4	9	386*140.5*15	2
2	747.5*348*23	1	10	250*88*15	4
3	747.5*348*23	1	11	326*88*15	2
4	792.5*348*23	2	12	339.5*244*4	2
5	775.5*60*15	1	13	775.5*272.7*12	3
6	120.5*295*15	1	14	775.5*295*15	1
7	774.5*280*12	3	15	747.5*48.5*23	2
8	386*538.5*15	2	16	223.5*48.5*23	2

Detailed description of the main components, please read carefully

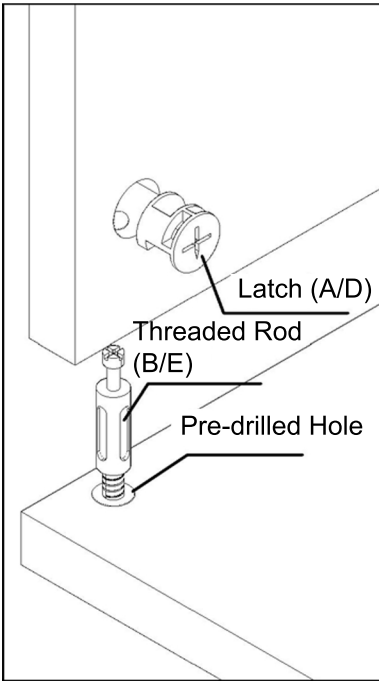
N (Hinge) Installation Instructions

Install the hinge with screw H



Installation Guide: Threaded Rod, Latch, Pre-drilled Hole

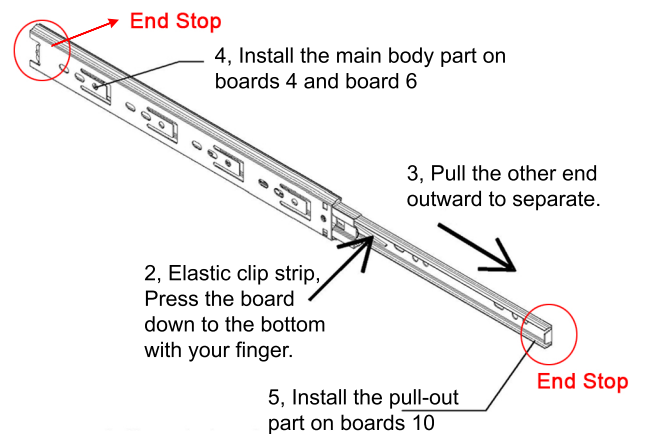
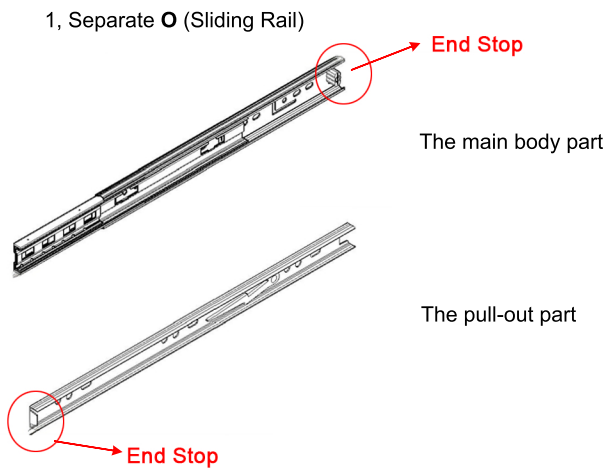
A + B is large, D + E is small

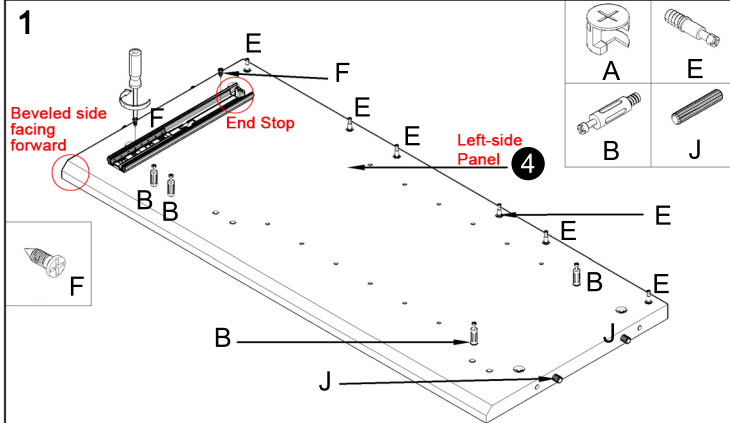


1. Screw the B/E (Threaded Rod) into the Pre-drilled Hole
2. Insert the installed B/E into the corresponding hole of the other piece. Press A/D (Latch) into the hole. Note that the cross arrow corresponds to the insertion direction of the Threaded Rod.
3. Use a cross screwdriver to tighten Latch clockwise. Be careful not to use excessive force.

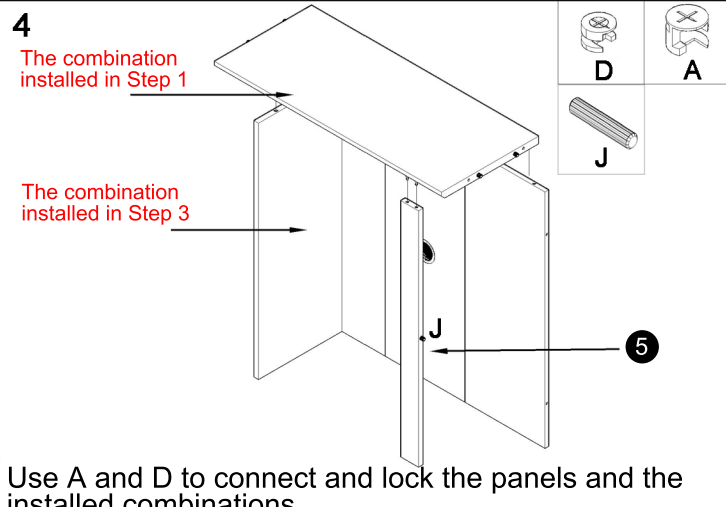
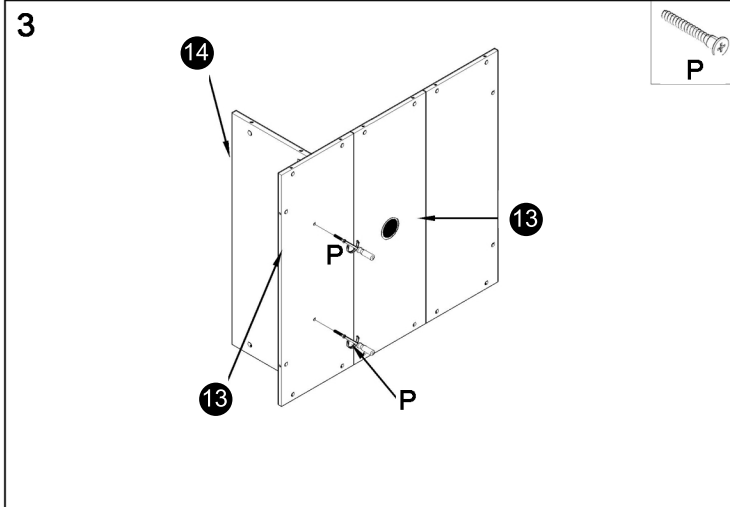
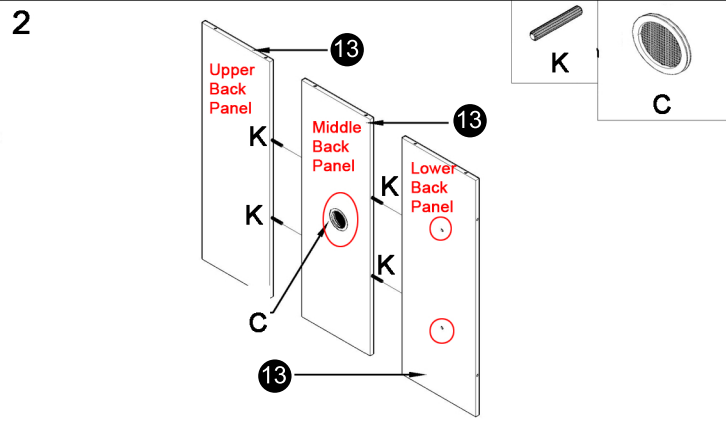
O (Sliding Rail) Installation Instructions

When installing O, use with screw F

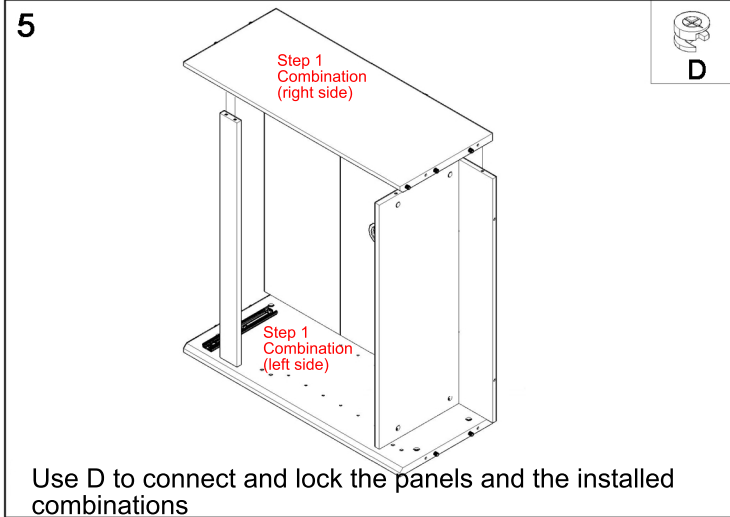




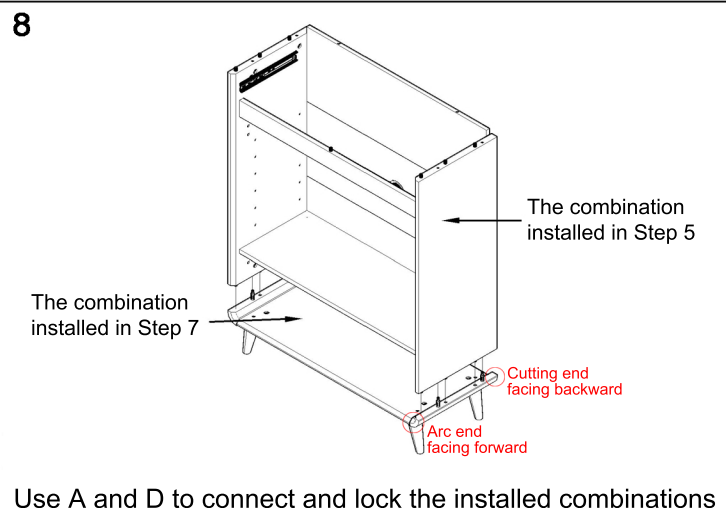
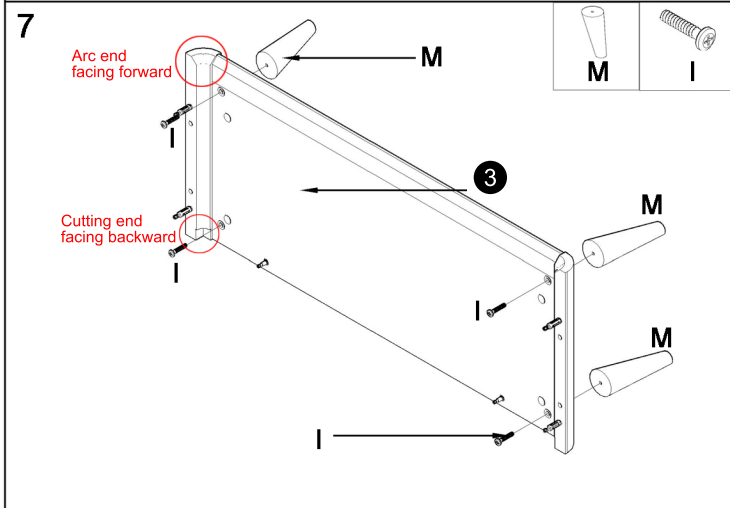
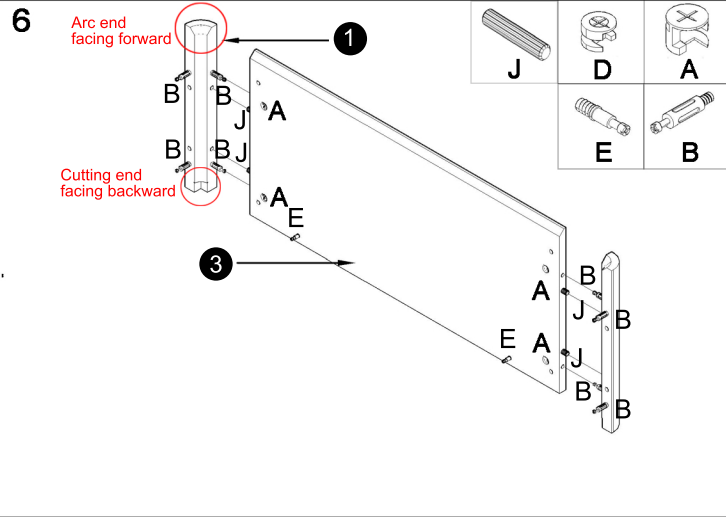
Attach the separated O to the left-side panel as shown in the diagram. Secure it with F and ensure the rail faces the correct direction. Repeat the same process for the right-side panel, assembling .



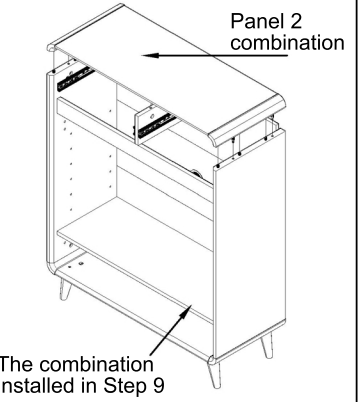
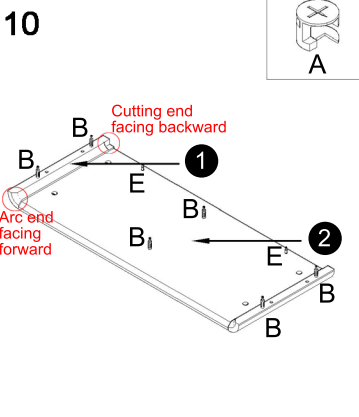
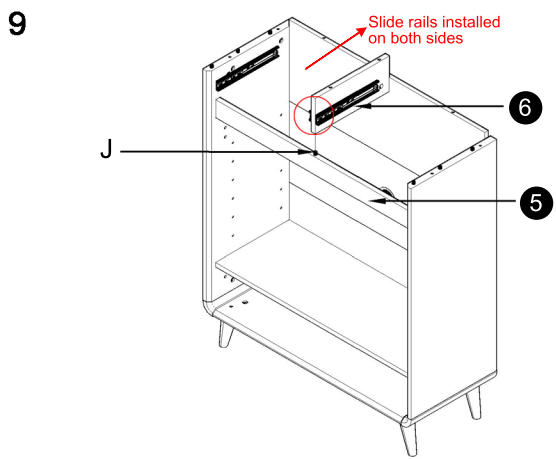
Use A and D to connect and lock the panels and the installed combinations



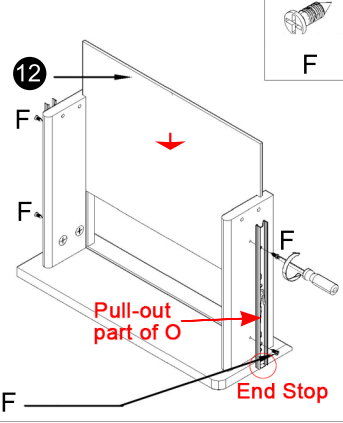
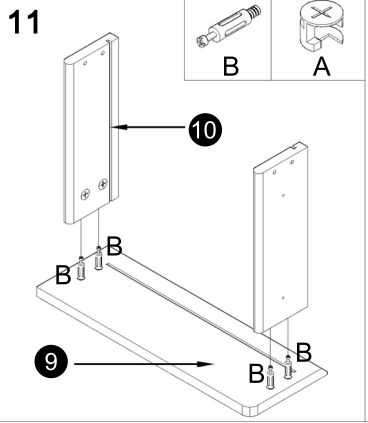
Use D to connect and lock the panels and the installed combinations



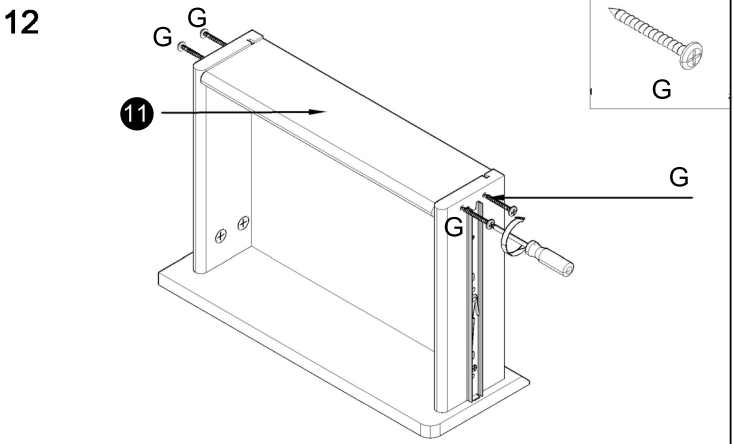
Use A and D to connect and lock the installed combinations



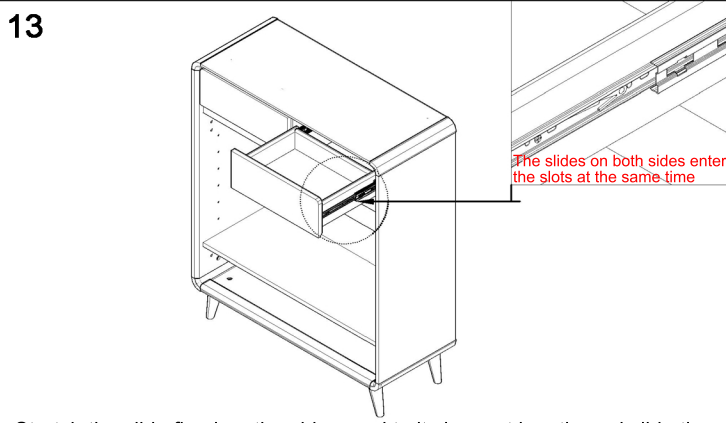
Refer to Step 6 to connect Panel 2 and 1, then connect the two installed combinations and fix them with A and D.



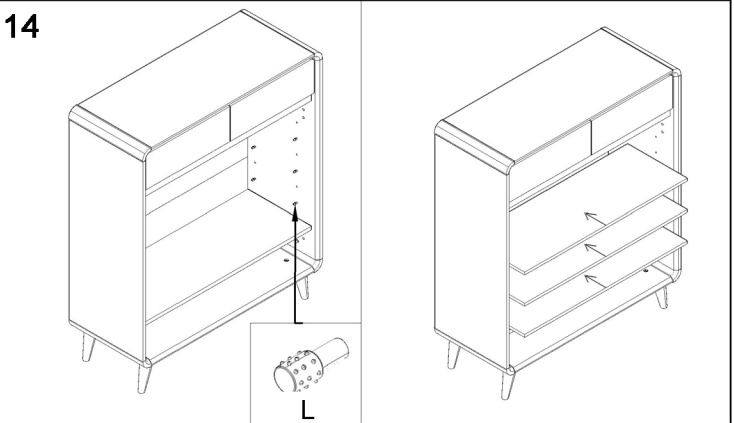
Install the pull-out part of O on the outside of both panel 10 pieces. Ensure the end stop of O rests against panel 10. Then insert Panel 12 in the direction indicated by the arrow.



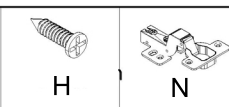
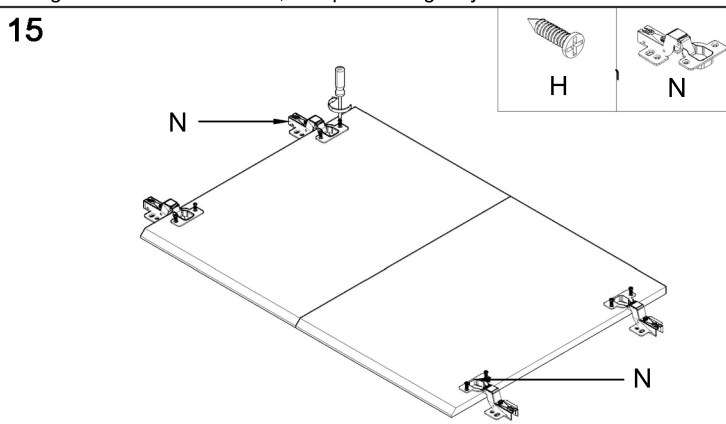
Insert the groove of Panel 11 into Panel 12, and connect them with G



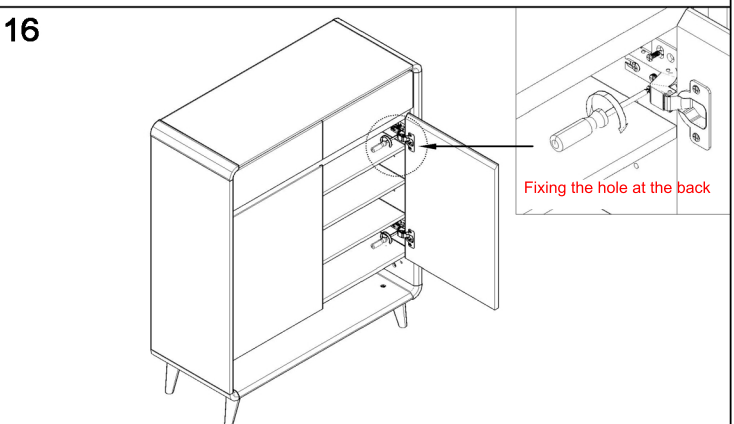
Stretch the slide fixed on the side panel to its longest length, and slide the silver section with the ball bearing to the front. Hold the assembled drawer with both hands, and let the small slides on both sides of the drawer enter the groove at the same time, and push it in gently.



Press L into the corresponding hole of the side panel by hand, and then place the movable shelf above L in the main cabinet in the direction indicated by the arrow.

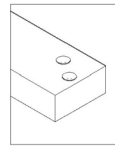
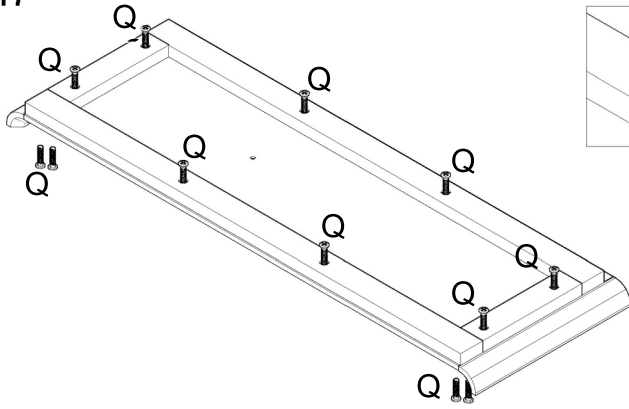


Install N with H. If you feel strength when screwing H into the panel, stop screwing it hard, otherwise it will slip.



Use H to connect N and the side panel. Note that each N has four holes. Fix the back two holes first, then adjust the up-down, left-right, and front-to-back spacing of the door leaf according to Hinge Instructions, and then use H to fix the front two holes.

17



The rubber plug
under panel 15

If you prefer not to install cabinet legs, you can attach the baseboard and place the shoe cabinet directly on the floor.

Installation Instructions:

1. Use Q to pass through the bottom panel hole and secure it in the rubber plug holes of panels 15 and 16.
2. Use Q to pass through panels 15 and 16 to secure the rubber plug holes of the bottom panel.

Completed Display

